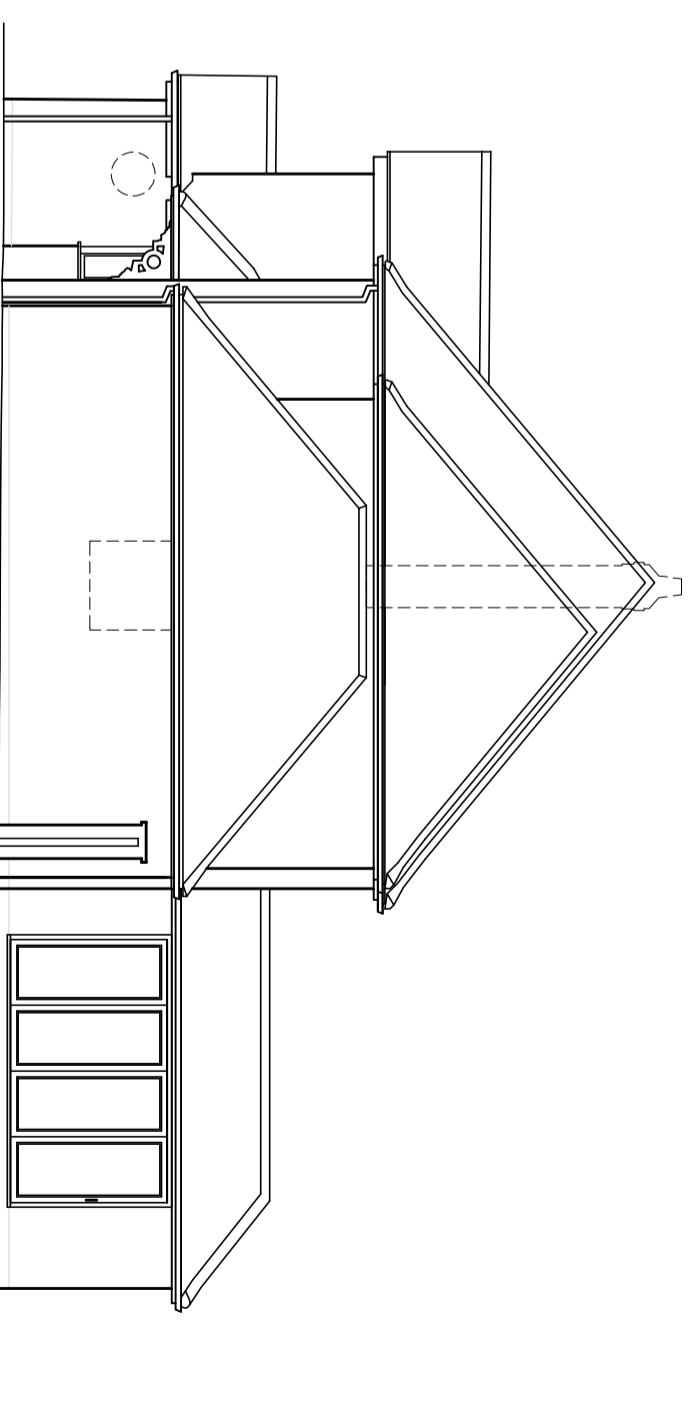
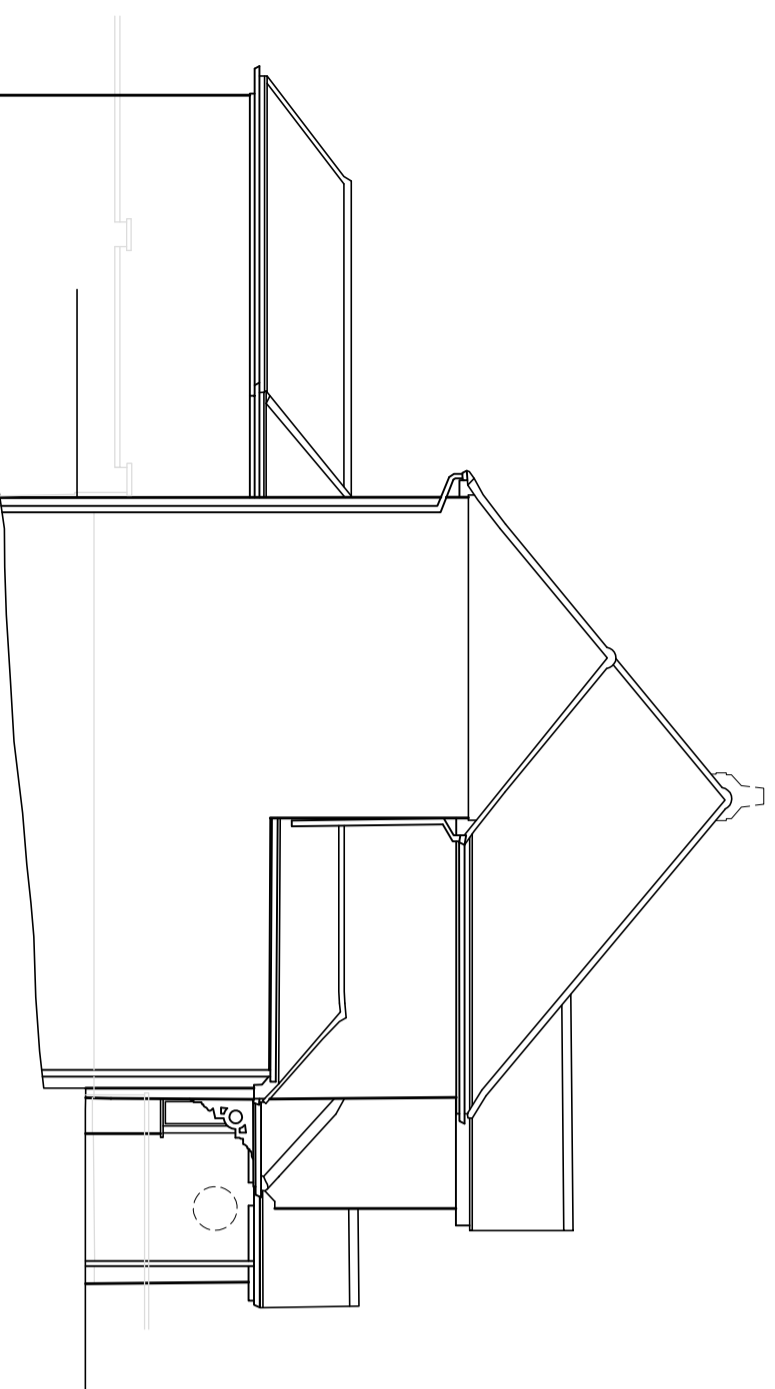


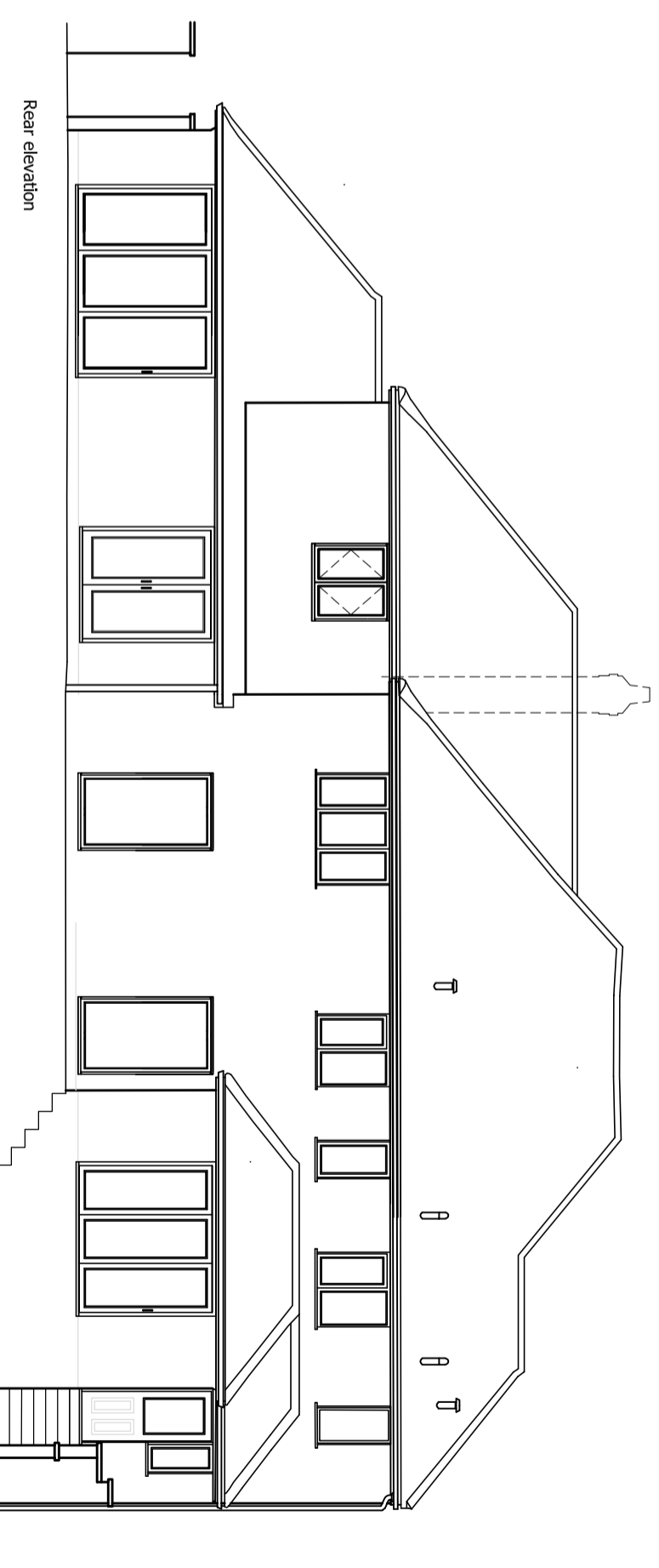
Front elevation



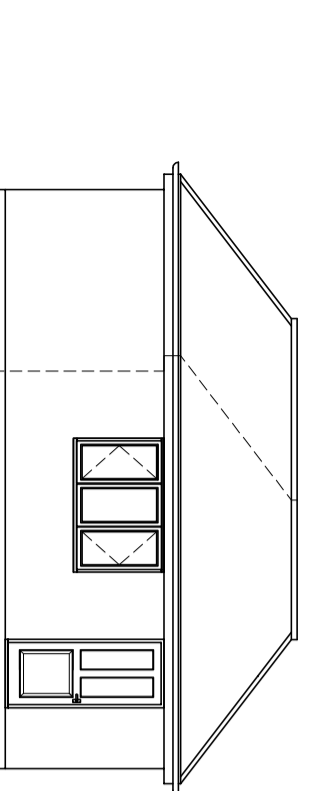
Side elevation



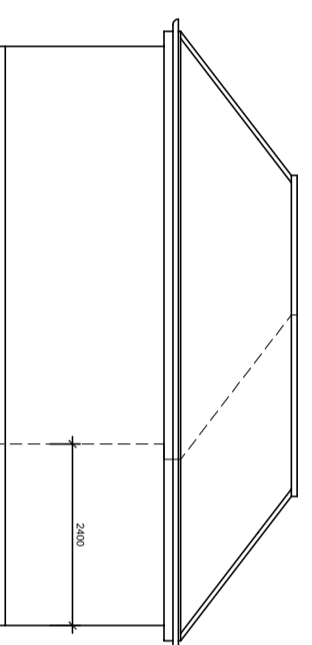
Side elevation



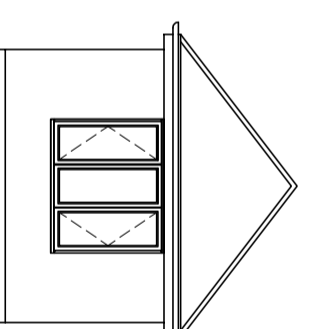
Rear elevation



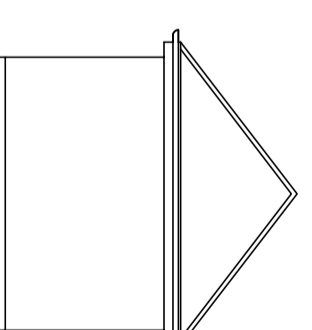
Front elevation
(existing door &
window retained)



Rear elevation

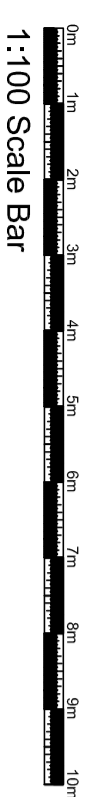


Side elevation



Side elevation

Extension to existing outbuilding



1:100 Scale Bar

fulcrum design

Address Suite 7 Taxtholme
Guldford Road, Bookham
Surrey KT23 4HB
Tel 01372 451425
Fax 01372 459620
Web www.fulcrumarchitects.co.uk
Email info@fulcrumarchitects.co.uk

Proposed Elevations

Mr. Grabban
36 Vineyards Road, EN6 4PA.
Site Area Paper Size A2
Drawn by GS Date 09-07-20
Scale 1:100
Drawing No. 20-13-04