

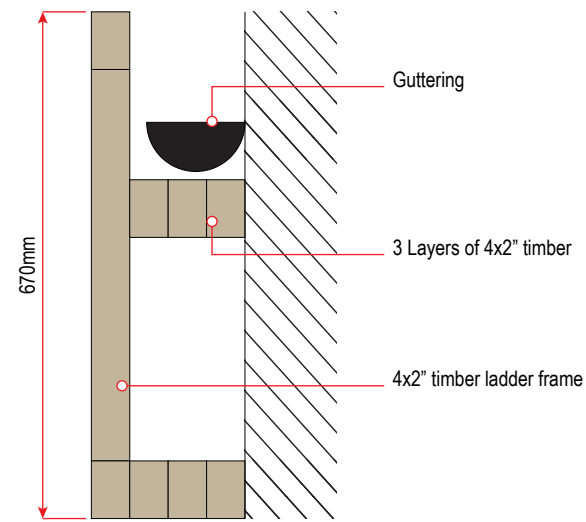
<b>REVISION</b> 0	<b>DRAWING STATUS</b> For Approval
----------------------	---------------------------------------

**DISCLAIMER**

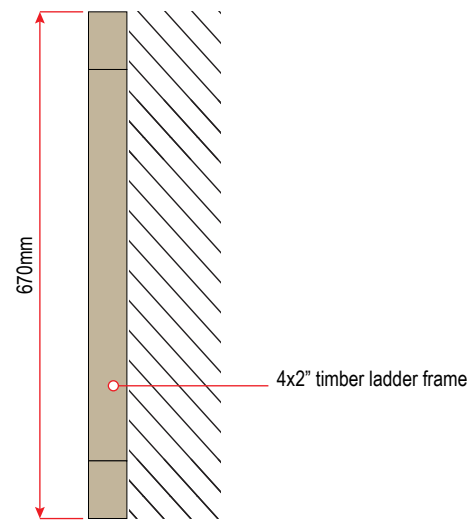
This drawing and specifications are copyright and shall remain the sole property of Think BDW Limited. It shall not be reproduced (in whole or in part) or used in any manner on other projects without the prior written consent of Think BDW Limited. It is intended to express design intent only and is subject to change at anytime. All dimensions are to be confirmed on site prior to manufacture.

**NOTES:**

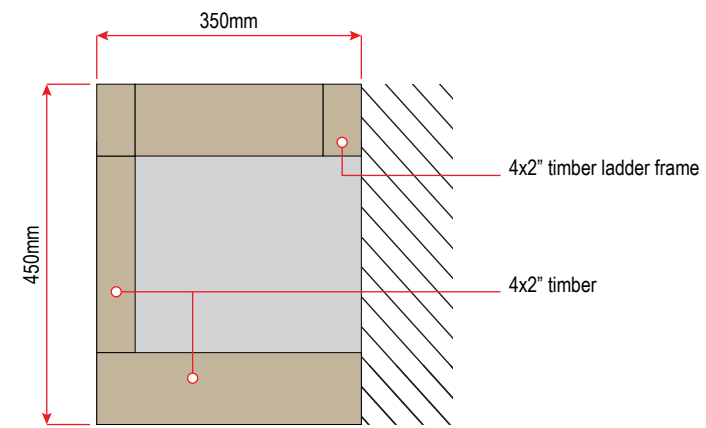
Flashing detail to suit fascia finish



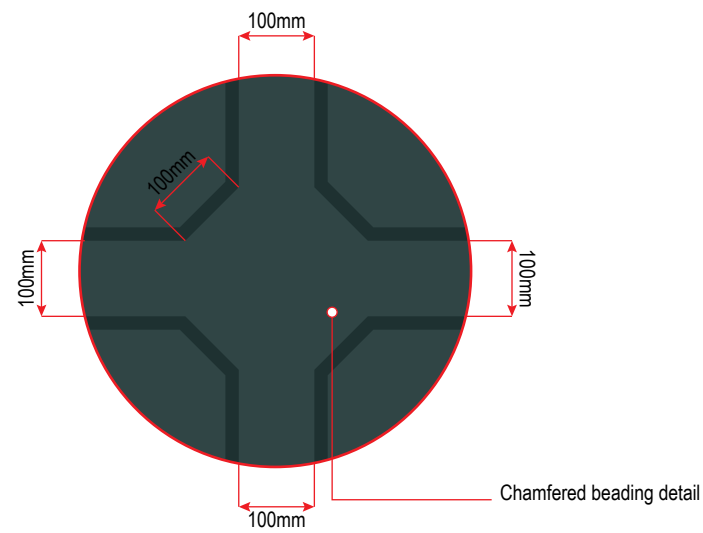
SIDE ELEVATION A1  
(LH SIDE TOP FASCIA)



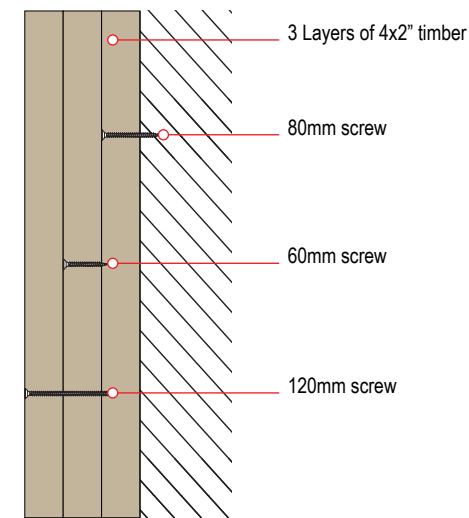
SIDE ELEVATION B1  
(FRONT TOP FASCIA)



SIDE ELEVATION B2  
(FRONT ROLLER SHUTTER FASCIA)



BEADING DETAIL A



TYPICAL FIXING DETAIL

DATE	REVISION NOTES	REV
------	----------------	-----

<b>JOB NO.</b> 02738-12	<b>CLIENT</b> Bellway - North London
----------------------------	---

<b>PROJECT</b> King Georges Vale
-------------------------------------

<b>DRAWING TITLE</b> External Cladding - Details
---

<b>DATE</b> 04.10.23	<b>SCALE @ A3</b> 1:75 (Unless noted otherwise)
-------------------------	--

<b>DRAWN BY</b> SN	<b>DRAWING NUMBER</b> 02738(12)-03-001
-----------------------	---