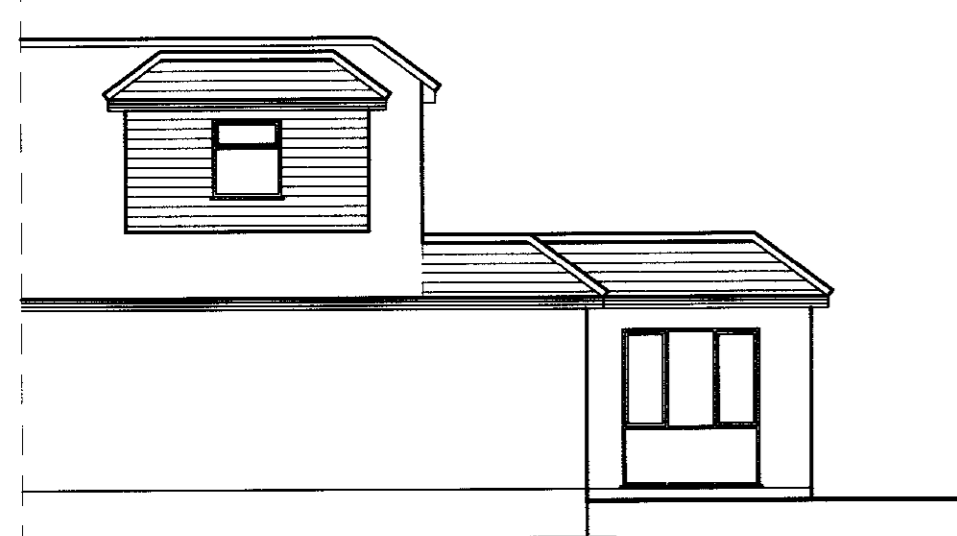


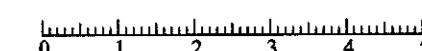
Notes:

Drawing size:- A1

See separate specification notes:-  
SN 110701



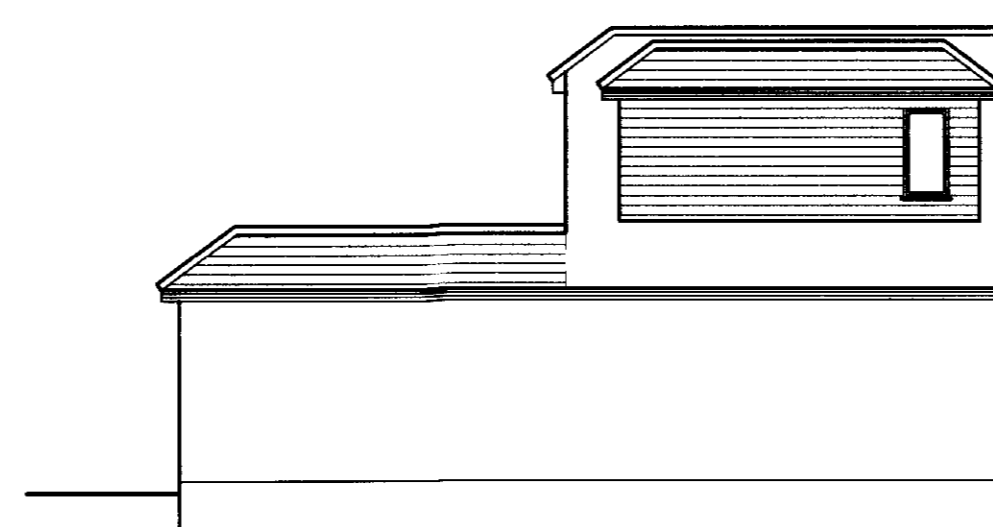
WEST ELEVATION



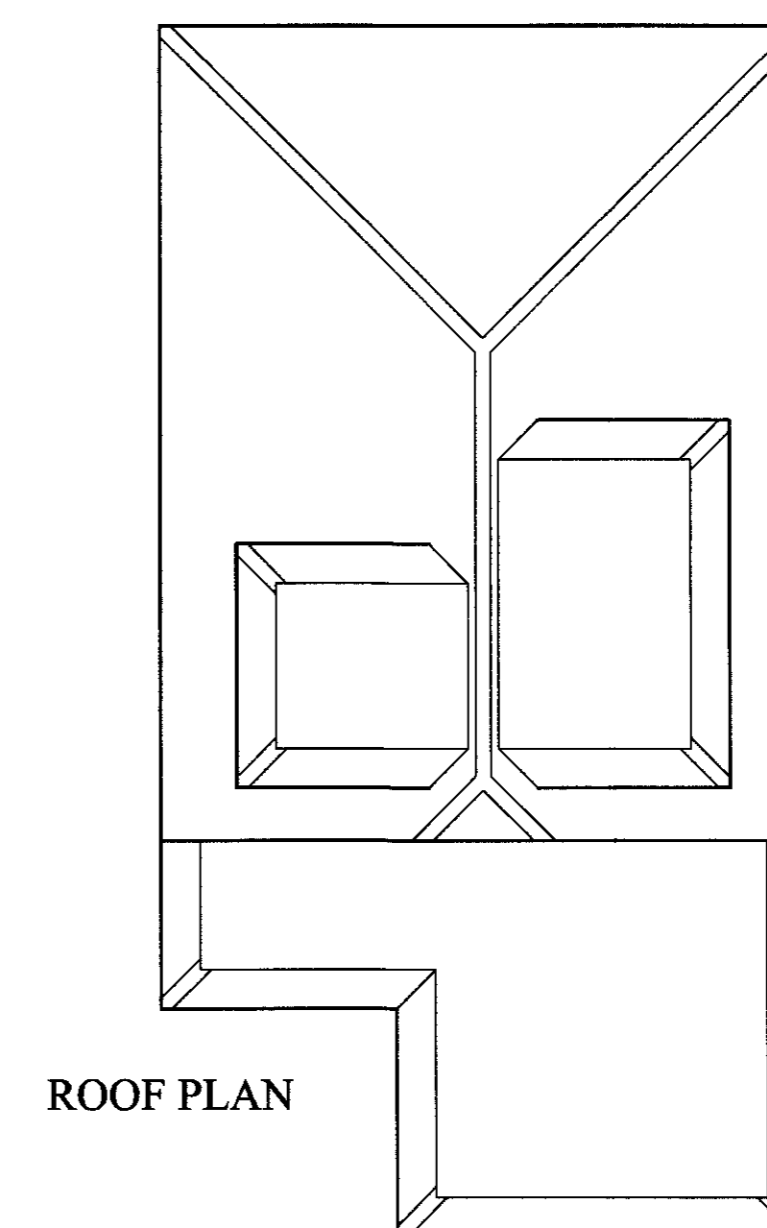
Scale: 1:100



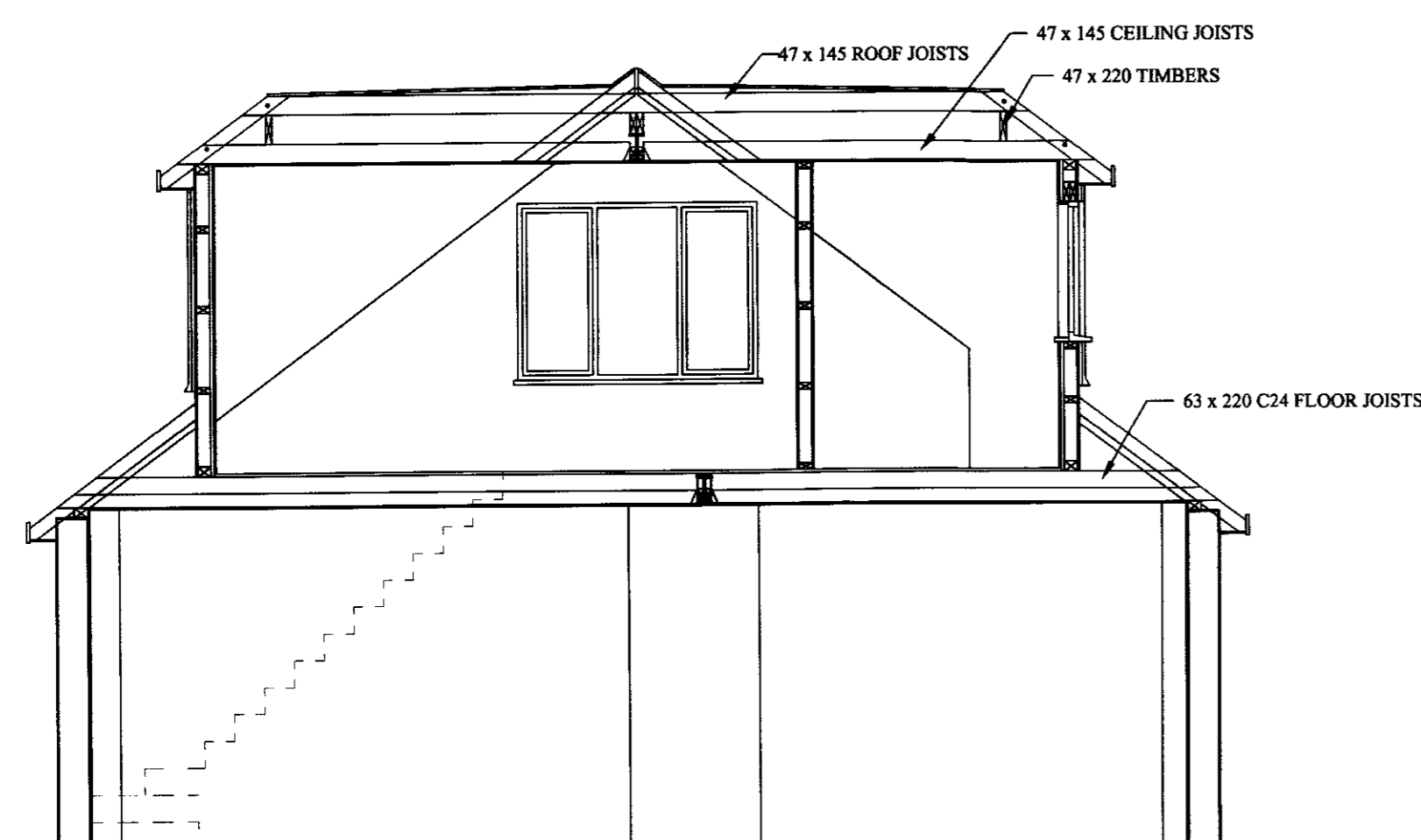
SOUTH ELEVATION



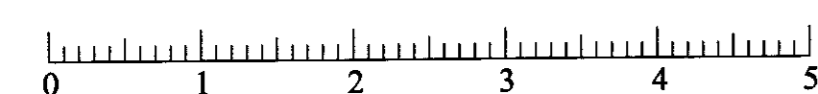
EAST ELEVATION



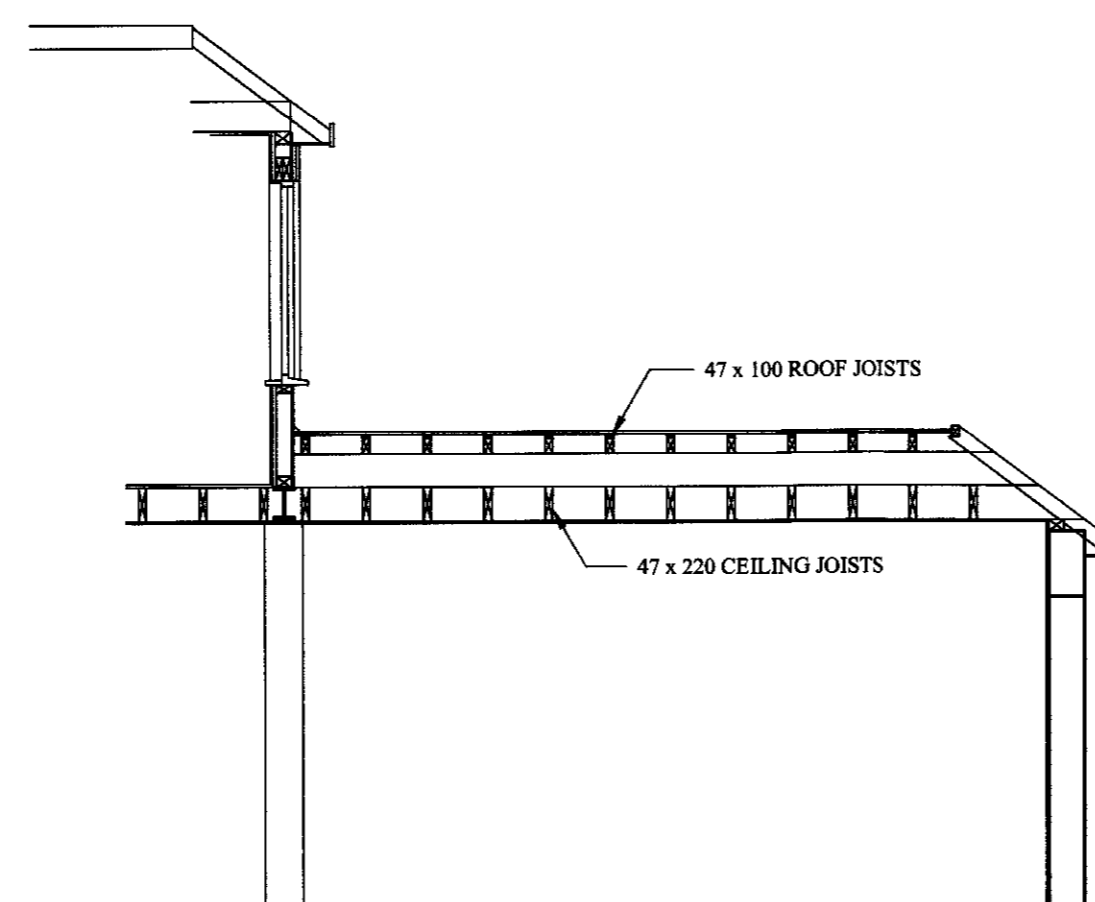
ROOF PLAN



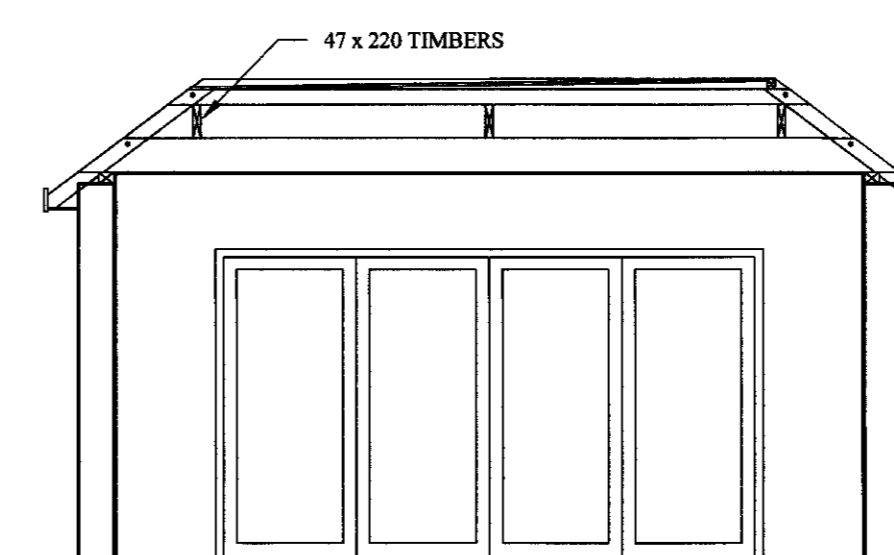
SECTION A - A



Scale: 1:50



SECTION B - B



SECTION C - C

PLANNING DEPARTMENT  
OFFICE COPY

07 OCT 2011  
2011/1269

Note: All dimensions and details are to be checked  
by the Client / Contractor before work commences.

Project: **Proposed Extension &  
Alterations**

Client: **Mr. & Mrs. S. King**

Site: **22 Kingswell Ride,  
Cuffley, EN6 4LH**

Drawing: **Sections & Elevations**

Scales: **1:50, 1:100**

Date: **July 2011**

Drawing No: **110701.02 B**

**Martin Bridge Limited**  
Chartered Building Surveyors

One Bramble Cottages  
Standon Green End  
High Cross, Ware  
Hertfordshire.  
SG11 1BW



Telephone/Fax: 01620 428515