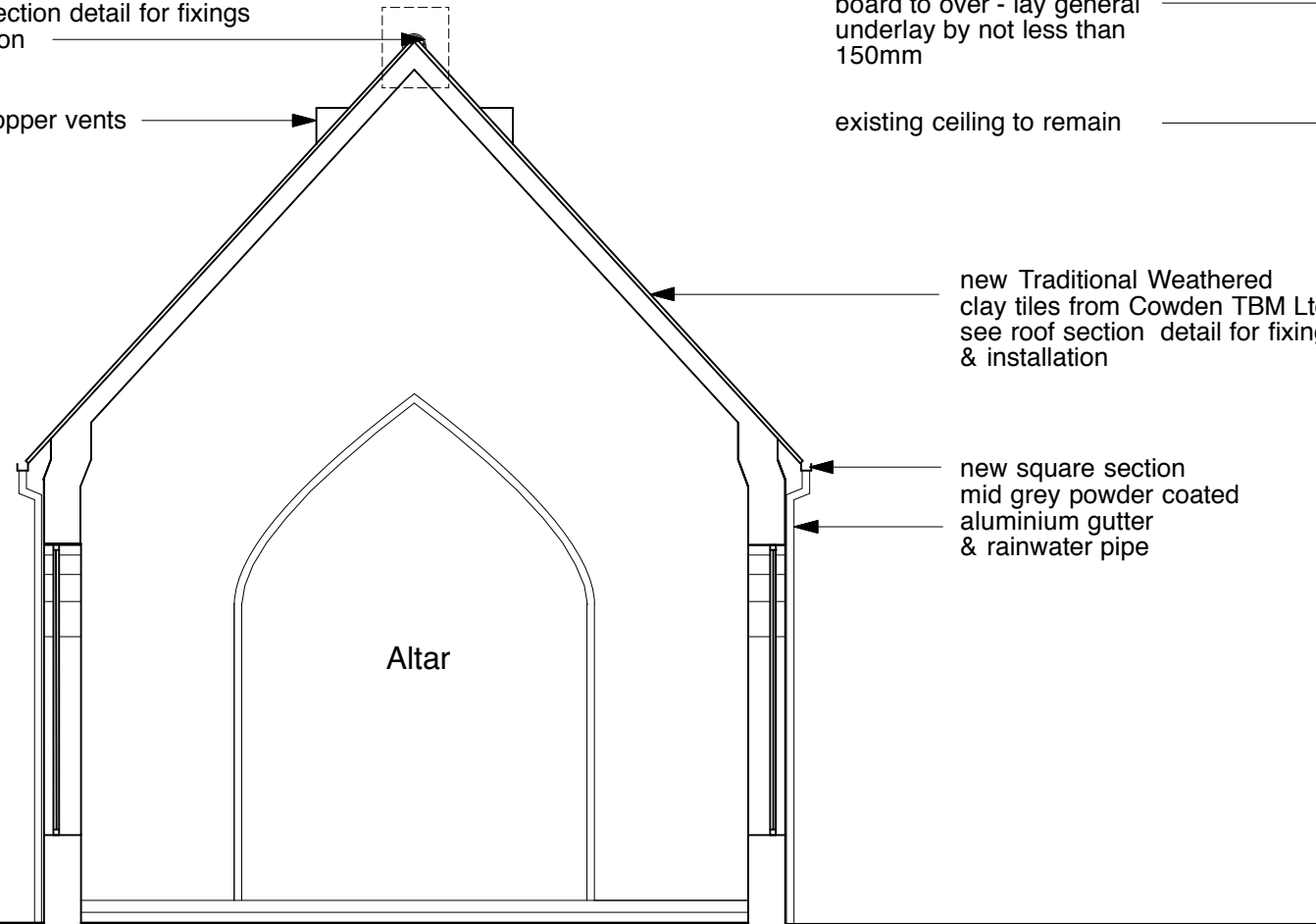


**General Notes**

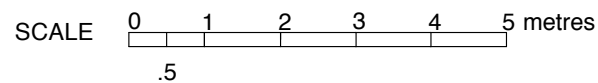
1. Removal of existing roof tiles, battens, ridge tiles, felt, flashings, hoppers, rainwater pipes & gutters
2. New roof flashings to match existing, throughout new tiled roofs

new half round ridge, type Traditional Weathered from Cowden TBM Ltd, see roof section detail for fixings & installation

existing copper vents



Section AA



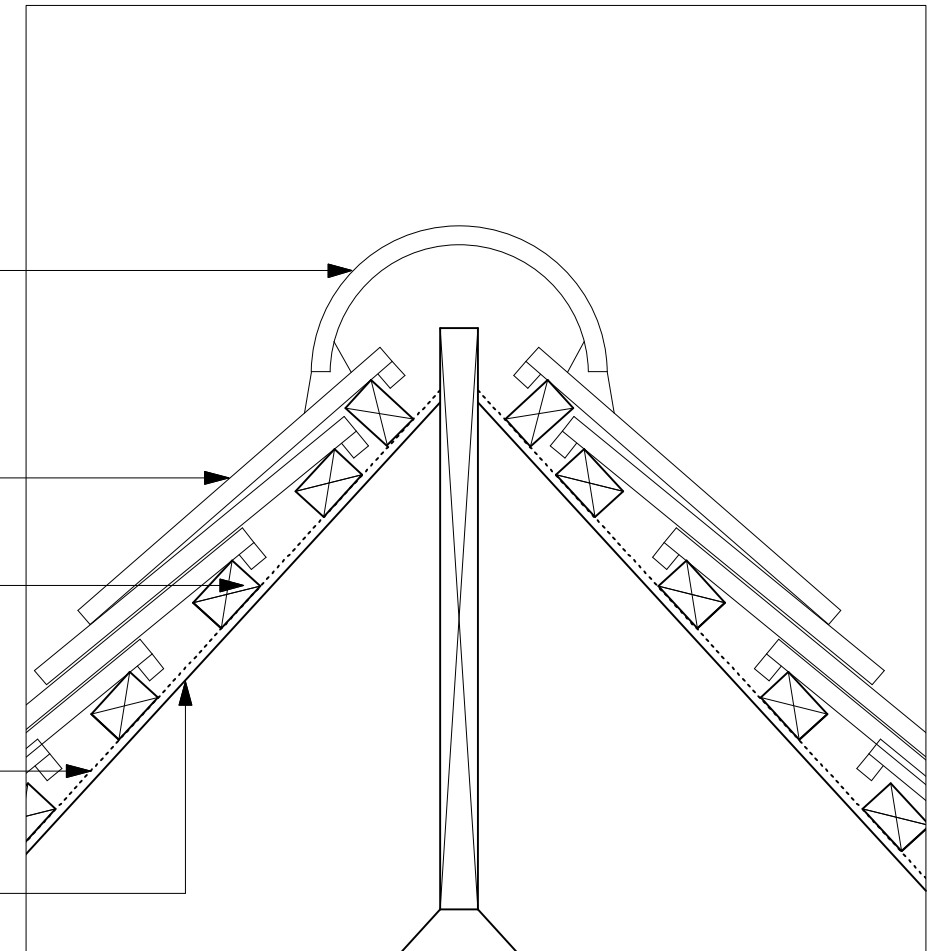
half round ridge bedded on the tiles, with solid bed at butt joints and end ridge filled with dentil slips

new hand made clay tiles, 265mm x 165mm laid to a max 100mm gauge, to be fixed with 38mm x 3.35mm aluminium allow clout nails.

John Brash quality softwood treated battens 38mm x 25mm on rafter centres 450 - 600mm nailed to rafters with 65mm galvanised wire nails

strip of underlay fixed over ridge board to over - lay general underlay by not less than 150mm

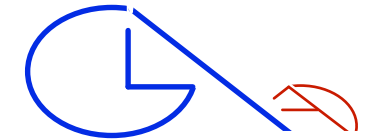
existing ceiling to remain



Roof Section Detail scale 1:5

new Traditional Weathered clay tiles from Cowden TBM Ltd, see roof section detail for fixings & installation

new square section mid grey powder coated aluminium gutter & rainwater pipe



**GLA Architecture and Design**

Suite T, 25 Horsell Road, Highbury, London N5 1XL  
T 020 7700 2916 F 020 7700 2933 E g@glad.co.uk

Client <b>THE TRUSTEES OF THE TWELVE APOSTLES CHURCH</b>		
Main Contractor		
Project PROPOSED ROOF & STONE WORKS TO THE TWELVE APOSTLES CHURCH, KENTISH LANE, BROOKMANS PARK, HATFIELD, HERTFORDSHIRE, AL9 6NG		
Drawing Title PROPOSED SECTION AA & ROOF SECTION DETAIL		
Scale 1:100&1:5@A3	Date October 2013	Drawn By SK
Project No. 1312	Drawing No. 15	Rev. A-
DO NOT SCALE THIS DRAWING. ALL DIMENSIONS TO BE CHECKED ON SITE		
<b>DRAWING STATUS</b>		
<b>A</b> SCHEME - Outline/Scheme drawings for proposals, budgets, etc.		
<b>B</b> DESIGN DEVELOPMENT - Evolving final design drawings for approvals, tenders, billing etc.		
<b>C</b> CONSTRUCTION - Fully developed drawings issued under instruction for construction.		
ONLY STATUS <b>C</b> DRAWINGS TO BE USED FOR CONSTRUCTION PURPOSES		