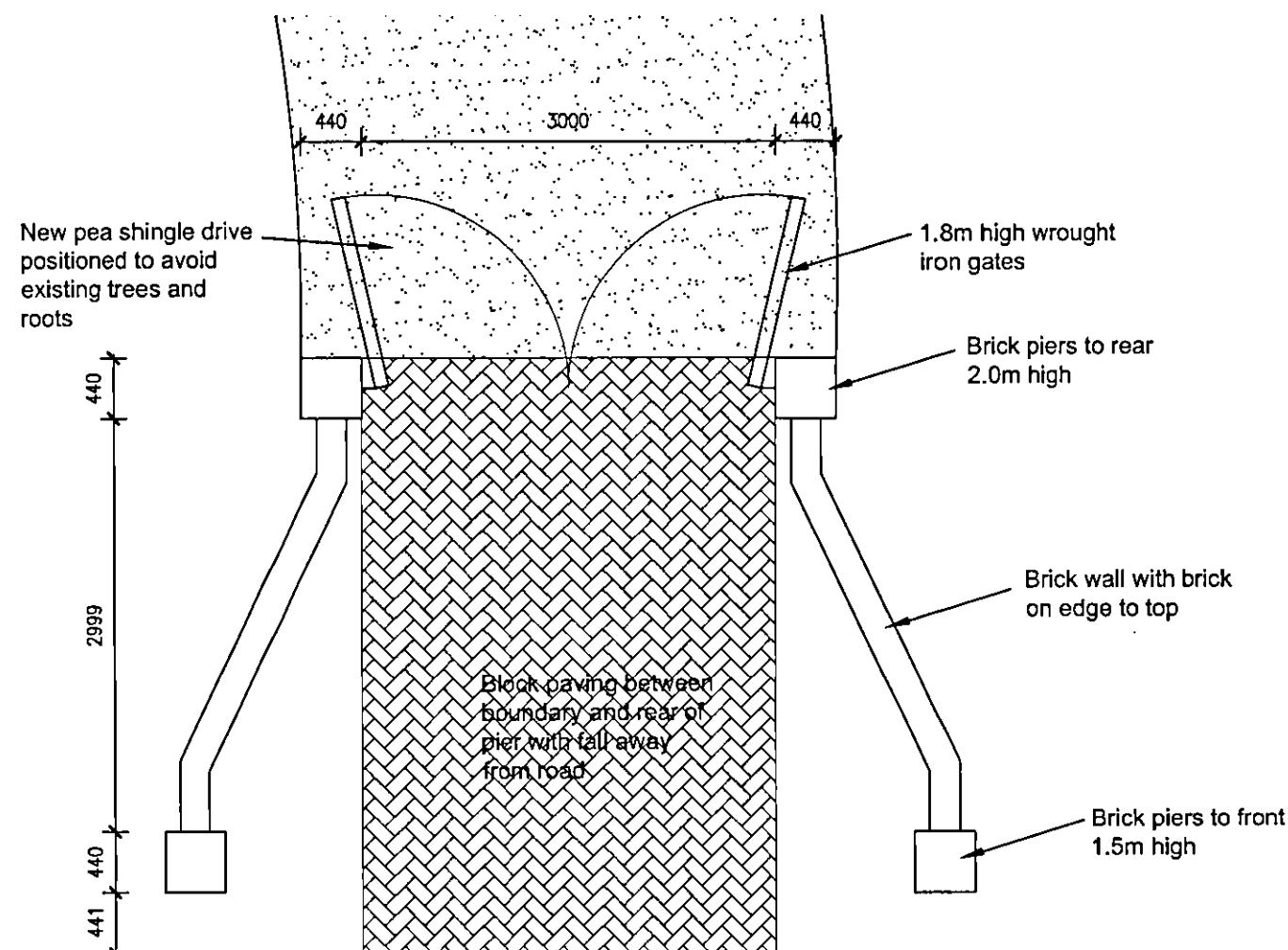


All dimensions should be checked on site.
This drawing is copyright.

AMENDMENT
5 Oct 2011
ENO: Ss/2011/1759/60

10.0m @ 1:100

10.0m @ 1:100



New pea shingle drive positioned to avoid existing trees and roots

1.8m high wrought iron gates

Brick piers to rear 2.0m high

Brick wall with brick on edge to top

Block paving between boundary and rear of pier with fall away from road

Brick piers to front 1.5m high

Boundary

Existing grass verge

New black tarmac crossover subject to Herts County Council approval

Existing grass verge

1.8m high wrought iron gates

Brick piers to rear 2.0m high

Brick wall with brick on edge to top

Brick piers to rear 2.0m high

Brick wall with brick on edge to top

Brick piers to front 1.5m high

Front elevation from The Ridgeway

Side elevation

Rev.	Description.	Date.
------	--------------	-------

Adam Trigg - Architectural Technician 22 School Lane, Welwyn, Herts AL6 9PH Tel: 07931703297 - email: adamtrigg@hotmail.com

Title;
Proposed New Gates
Carbone House
Carbone Hill, Northaw
Potters Bar, EN6 4PL
Detail plan & elevation

Scale : 1:50 @ A3
Date : May 2011
Drawn by: AT

Drq.No: AT355-21