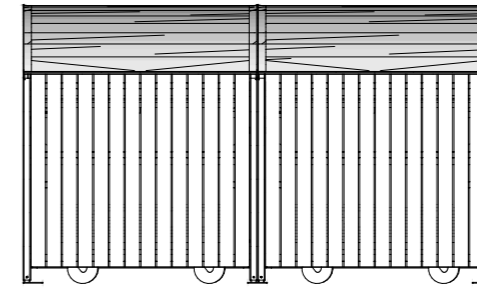
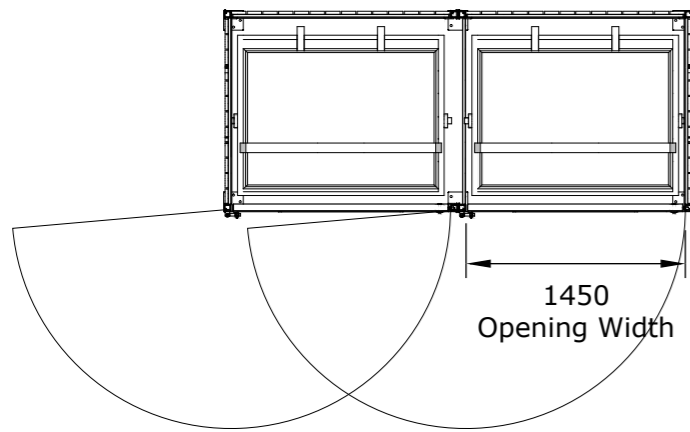


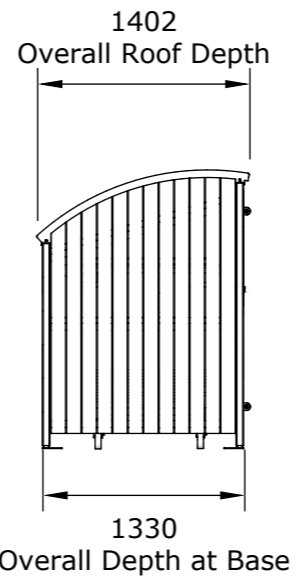
Front Elevation



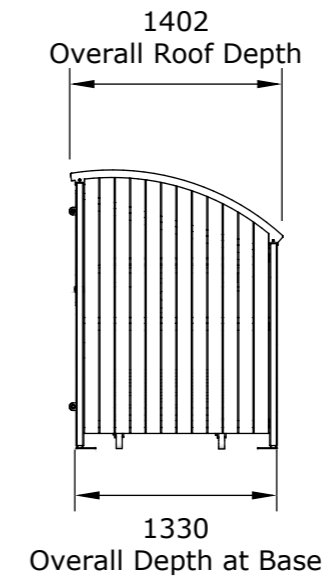
Rear Elevation



Plan View



Left Elevation



Right Elevation



Scale 1:50 @ A3, Metres

Drawn By: SRC Scale: 1:50 @ A3	
Drawing Type: Information	
MODEL: PBM-2t Waste Stream Enclosure	
<b>metroSTOR</b> <sup>®</sup> outdoor storage systems	
DWG NO. PBM-2t-Information	REVISION
SHEET 1 OF 1	