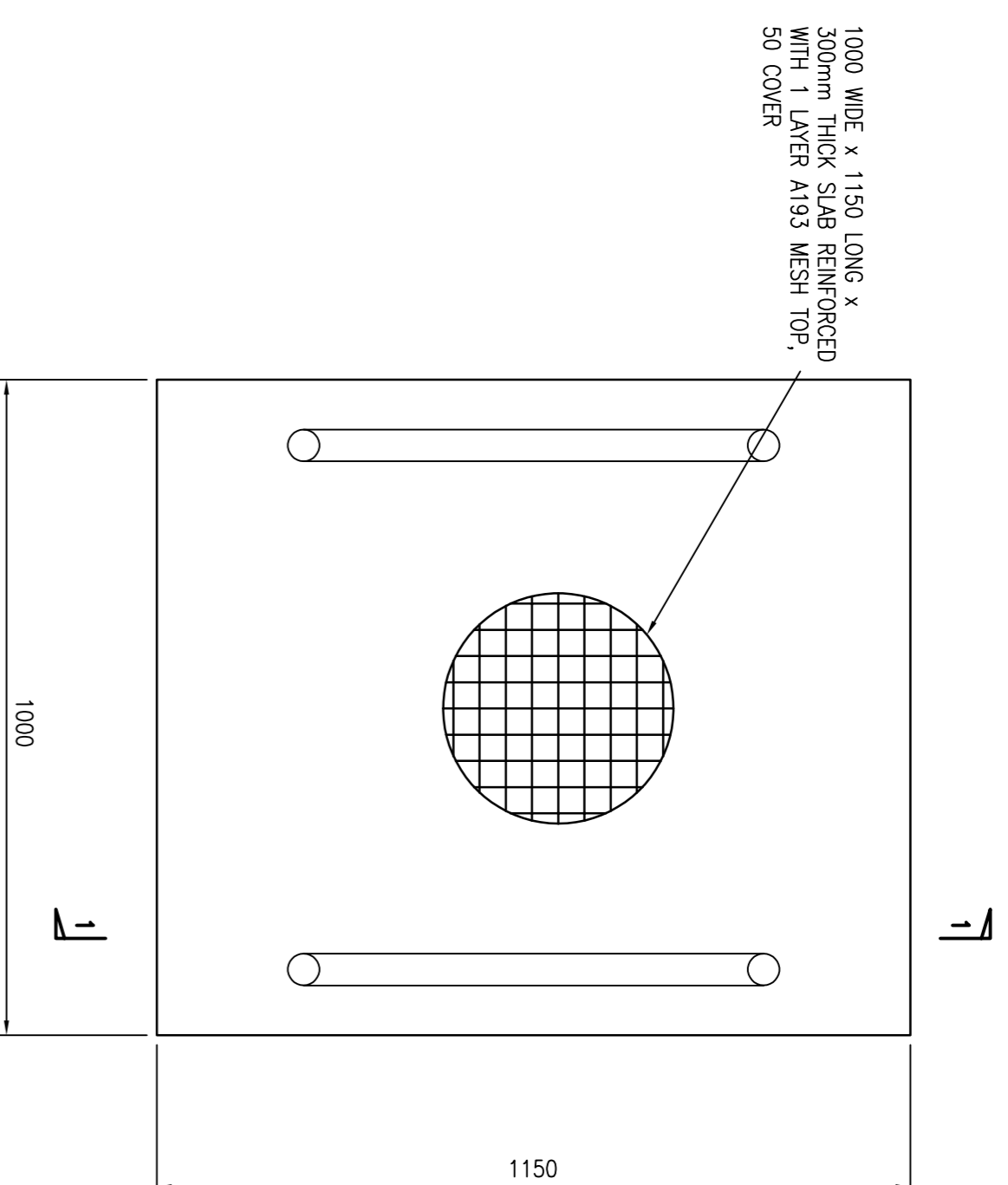


DO NOT SCALE

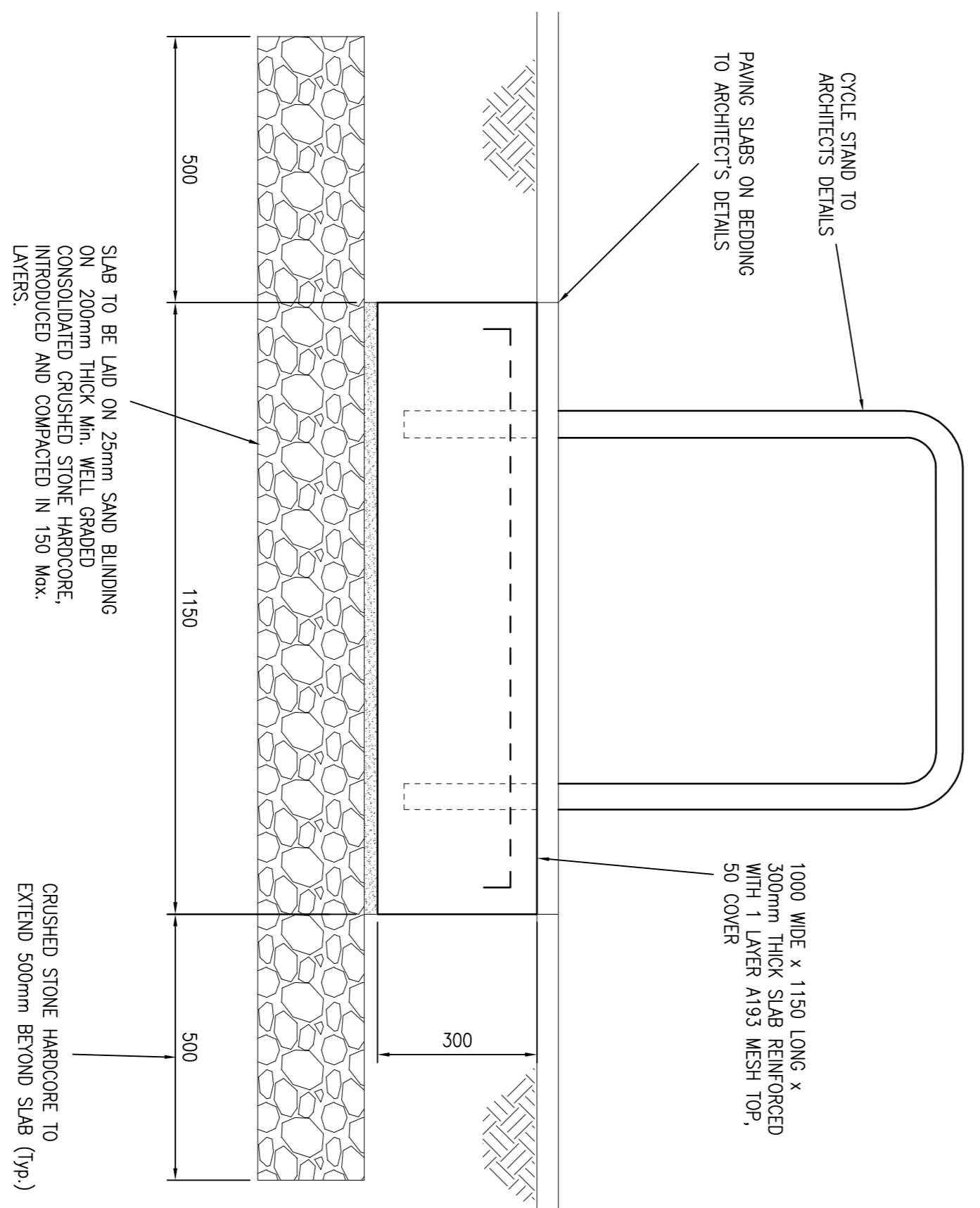
- NOTES**
1. THIS DRAWING IS TO BE READ IN CONJUNCTION WITH ALL OTHER DRAWINGS AND DETAILS AND THE PROJECT SPECIFICATION.
 2. SETTING OUT TO BE IN ACCORDANCE WITH THE ARCHITECT'S DIMENSIONS AND BOUNDARY DETAILS.



CONCRETE MIX FOR EXTERNAL SLAB TO BE MIX DESIGNATION PAV1 AND SHALL CONTAIN AN AIR ENTRAINING ADMIXTURE TO GIVE A MEAN TOTAL AIR CONTENT BY VOLUME OF 5.5% WITH 20mm MAX. AGGREGATE SIZE.

PLAN ON CYCLE SLAB

SCALE 1:10



NO.	DESCRIPTION	ISSUE	DATE
1	CONSTRUCTION ISSUE	REVISION	18/04/19

FINAL

CYCLE SLAB DETAILS

Project Number: P18-143

**PREMIER INN EXTENSION
WELWYN GARDEN CITY**



8 Friday Street
Henley on Thames
Oxfordshire RG9 7AH
1291491 01221

London, Henley-on-Thames, Gloucester and Exeter

Drawn: CMB Scales: 1:10 Date: APR 19

Checked: ASB Scales: 1:10 Date: APR 19

Project Title: CONSTRUCTION

Drawing Number: P18-143:15

Revision: A