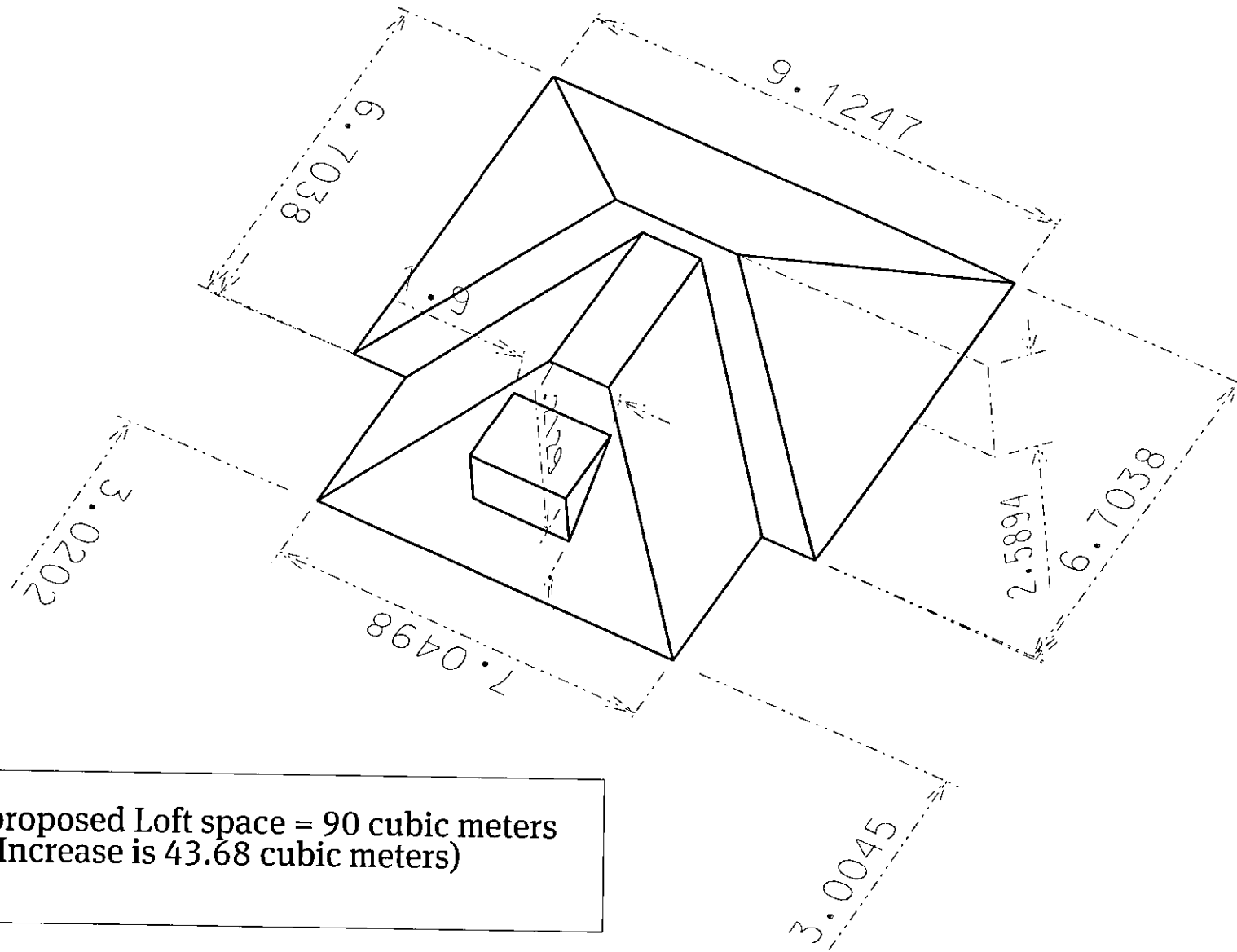


Total existing Loft space = 46.32 cubic meters

01 Existing Internal Deminsion
NTS



Total proposed Loft space = 90 cubic meters
(Total Increase is 43.68 cubic meters)

02 Proposed Internal Roof Dimensions
NTS

Revision
Project title
33 Kentish Lane Brookmans Park Hatfield
Drawing title
Loft Space calculation
Client
Antonis Antoniadis
Scale
NTS
Date
October 2012
Drg. no.
1111 SK 001 DY 121107
Papa Architects Ltd. 222 Archway Road Highgate London N6 5AX
Phone.+44(0)20 8348 8411 Fax.+44 (0)20 8348 7411 www.papaarchitects.co.uk