

GENERAL NOTES:

THE CONTRACTOR SHALL CHECK AND VERIFY ALL DIMENSIONS ON SITE AND REPORT ANY DISCREPANCIES IN WRITING TO ABSOLUTE DESIGN BEFORE COMMENCING WITH THE WORK.

ALL DRAWINGS ARE THE PROPERTY OF ABSOLUTE DESIGN AND SHALL NOT BE REPRODUCED WITHOUT THE CONSENT OF THE DESIGNERS.

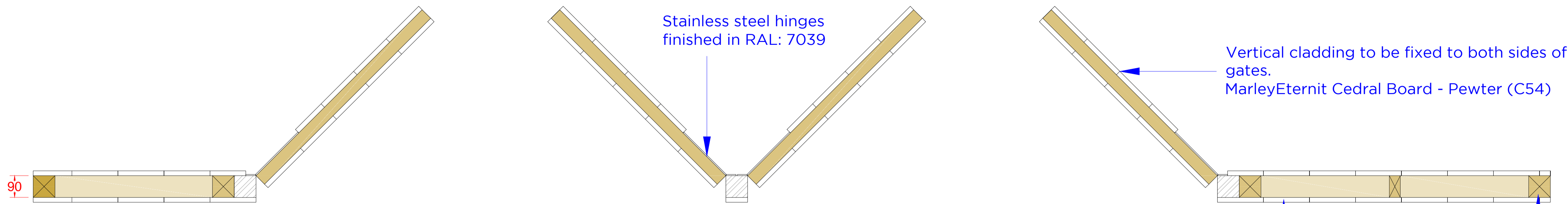
THIS DRAWING IS TO BE READ IN CONJUNCTION WITH THE RELEVANT SPECIFICATION OF BUILDING WORKS.

ALL DIMENSIONS ARE IN mm UNLESS OTHERWISE NOTED.

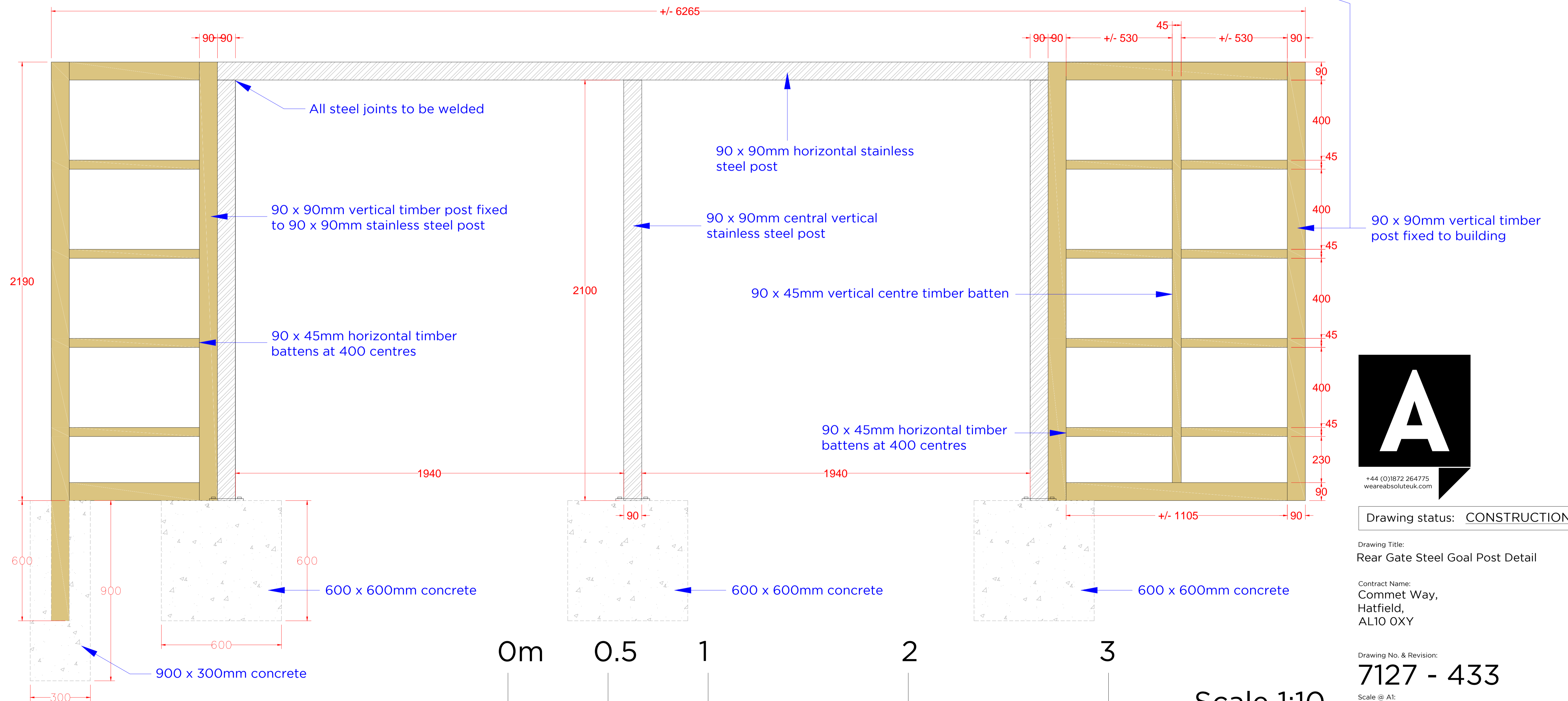
THIS DRAWING MAY INCORPORATE INFORMATION FROM OTHER PROFESSIONS. ABSOLUTE DESIGN CANNOT ACCEPT RESPONSIBILITY FOR THE INTEGRITY AND ACCURACY OF SUCH INFORMATION.

IF IN DOUBT ASK!

original drawn by	date



02 Steel Goal Post Detail Through Section  
 1:10 @A1



01 Steel Goal Post Detail Section  
 1:10 @A1



+44 (0)1872 264775  
 weareabsoluteuk.com

Drawing status: **CONSTRUCTION**

Drawing Title:  
 Rear Gate Steel Goal Post Detail

Contract Name:  
 Commet Way,  
 Hatfield,  
 AL10 0XY

Drawing No. & Revision:  
**7127 - 433**

Scale @ A1:  
 1: 100

Drawn By: NAW Date: 02-10-15 Pub: 5480

Scale 1:10