

**IRONSTONE PLANTERS**

600MM Ironstone ceramic planters with 1200mm high topiary yew cones and 50mm cobble mulch.

**REINSTATEMENT OF EXISTING GRASS VERGE:**

- Application of herbicide to kill off any existing grass and weed growth.
- Cultivation to relieve compaction and provide a suitable tilth.
- Importation of sufficient topsoil to allow smooth flowing contours and grades.
- Laying turfland sportsman or similar approved cultivated weed free amenity lawn turf.

Turf reinstatement after site hoarding has been removed

Screening hedging Phyllostachys 'Bissetti' 1000-1200mm 10L planted at 3/m

1no Liquidambar Worpleston 14-16cm Pg

1no Liquidambar Worpleston 14-16cm Pg

1no Liquidambar Worpleston 14-16cm Pg

**Ornamental Planted Beds and Borders**

**Shrub Pruning**  
Light pruning will be undertaken on a regular basis to remove growth from over footpaths etc this is undertaken for aesthetic and safety reasons. This pruning is specified as growth achieved within one season. Main heavier pruning will be undertaken during the winter months and may span over several visits as necessary.

**Hedge Pruning**  
The form and shape of ornamental hedges will be maintained throughout the season by using mechanical hedge trimmers and hand shears. Structure hedges or less formal hedges will be pruned by fall or mechanical hedge trimmer on a twice yearly basis.

**Weed removal/Herbicide application**  
Applying glyphosate to eradicate weed from beds and borders is our main policy this ensures the weed is dead and will not regrow however there is a two week reaction time to the chemical clients should be aware of this. In beds or borders with no bark mulch dressing annual weed will be hoed during the summer.

In beds or borders with bark mulch dressing weed will be sprayed or hand pulled if established during the summer.

**Control of notifiable or pernicious weeds**

- We are duty bound by law to deal with the following weeds:
- Giant Hogweed (*Heracleum mantlegazzianum*)
  - Japanese Knot weed (*Reynouito japonica*)
  - Himalayan Balsam (*Impatiens glandulifera*)
  - Horsetail (*Equisetum arvense*)

Due to the nature of these weeds their control and eradication is mainly by specialist chemical means and therefore will require a quoted strategy.

**Tree Surgery and Maintenance**  
THE NEWLY PLANTED TREES ARE ALL COVERED BY TREE PRESERVATION ORDERS ANY WORKS TO THESE MUST BE REQUESTED IN WRITING TO THE LOCAL PLANNING AUTHORITY. ALL PRUNING WORKS MUST COMPLY WITH BS3998:2010

**Small to Medium Tree Pruning**  
Minor aesthetic, formative and tree care pruning will be undertaken to trees not exceeding 5m in height, to which access and pruning can be carried out with hand tools in a safe and horticulturally correct manner.

**Tree Maintenance**  
Small or newly transplanted trees have stakes which support the tree until it has developed sufficient root we will attend trees ensuring stakes are removed or ties are slackened as the tree grows.

**Pests and Diseases**  
Inform the end user if disease or pests are spotted so remedial action can be quoted for.

**Litter Removal**  
The definition of litter as wind blown or litter dropped by the general public this operation involves our staff collecting the litter and removing from site to our waste transfer station. Litter collection does not include fly tipping, Industrial Waste, Clinical Waste, Drug taking Paraphernalia or Gas Cylinders. We will however be able to provide a quotation for the clearance of the above.

Dependant on the nature of your site additional visits may be required for litter clearance.

**Maintenance of Hard surfaces**  
**Sweeping/Blowing**  
Our routine maintenance visit will include the sweeping/blowing or mechanical sweeping of hard surfaces to remove debris, leaf litter etc all arisings will be removed from site to our tip.

**Herbicide application**  
We will maintain hard surfaces by applying herbicide to any weed growth we will apply glyphosate systemic weed killer.

**Moss killing**  
Moss killing to car parks and other hard surfaces can be carried out but will require a separate quotation unless previously agreed.

**Gravel surfaces**  
Loose surfaces will have herbicides applied to eradicate weed growth. Re-dressing will require an additional quotation.

**Pressure washing**  
Pressure washing can be carried out but will require an additional quotation.

**REPLACEMENTS**  
REPLACE ALL FAILURES FOR A PERIOD OF NOT LESS THAN 5 YEARS FOLLOWING BUILDERS COMPLETION  
THE DEFINITION OF FAILURE IS ANY PLANT OR TREE NOT DISPLAYING A GOOD GROWTH PATTERN IN FORM OR HEALTH OR ANY PLANTS/TREES WILFULLY DAMAGED THROUGH VANDALISM/

Existing roadside grass verge and low concrete bollards

**STRUCTURE PLANTING**

**HERBACEOUS AND ORNAMENTAL SHRUB PLANTED AREAS**

Meter Boxes

Screening hedging Phyllostachys 'Bissetti' 1000-1200mm 10L planted at 3/m

1no Liquidambar Worpleston 14-16cm Pg

1no Liquidambar Worpleston 14-16cm Pg

1no Liquidambar Worpleston 14-16cm Pg

Screening to the sub station fencing Phyllostachys 'Bissetti' 1000-1200mm 10L planted at 3/m

**HERBACEOUS AND ORNAMENTAL SHRUB PLANTED AREAS**

2no Liquidambar Worpleston 14-16cm Pg

**HERBACEOUS AND ORNAMENTAL SHRUB PLANTED AREAS**

Existing roadside grass verge and low concrete bollards

1no Betula Jaquemontii 3000-3500mm Multistem

50no Phyllostachys Nigra 60-90cm 3L

**BAMBOO MONOCULTURE**

12M2 PLANTED AT 4/M2

- Importation of a minimum of 450mm depth layer of topsoil to BS3882 grade to smooth flowing contours.
- Bamboo to be 100% Phyllostachys Nigra 60-90cm 3L 50no
- Mulch with 10-40mm spruce ornamental bark mulch width 500mm depth 50mm
- Tree to be Betula Jaquemontii 3000-3500mm Multistem
- Fix GT root barrier Bamboo 420 700mm depth available from Greentech 01423 332 100 to all sides of the planter prior to topsoiling

**BAMBOO HEDGING**

Species to be planted at 5/m double staggered row.

PHYLLOSTACHYS BISSETTI 10L - 120CM HIGH

**STRUCTURE PLANTING**

Species to be planted at 4m2

- Cornus alba 'Sibirica' 2L
- Cornus stolonifera 'Floxcramea' 2L
- Hypericum 'Hidcote' 2L
- Forsythia 'Golden Nugget's' 2L

**HERBACEOUS AND ORNAMENTAL SHRUB PLANTED AREAS**

Species to be planted at 4/m2, setting out by designer on site

- |      |   |
|------|---|
| PBS  | Perovskia atriplicifolia 'Blue spire' 30-40cm 5L      |
| IS   | Rosmarinus officinalis 'Mrs Jessops Upright' 30-40 5L |
| VT   | Iris sibirica 5L                                      |
| VMBV | Viburnum tinus eve price 5L                           |
| POL  | Vinca minor 'Bowles Variety' 5L                       |
| RA   | Prunus 'Otto Luykens' 5L                              |
| RFB  | Rosa 'Aspirin' 5L                                     |
| HS   | Rosa 'Pink Beas' 5L                                   |
| HH   | Hebe 'Sutherlandii' 5L                                |
| CMF  | Hypericum 'Hidcote' 5L                                |
| VD   | Cornus 'Midwinter Fire' 5L 30-40                      |
| SSAD | Viburnum Davidii 5L 30-40                             |
| SA   | Sedum spectabile Autumn Delight 20-30 5L              |
| LAH  | Salvia officinalis 5L 30-40                           |
| GL   | Lavandula angustifolia 'Hidcote' 5L 20-30             |
|      | Genista Lydia 20-30 2L                                |

RRURBA1 Root Rain Urban Irrigation system installed around the guyed rootball. Ensure inlet is slightly above finished surround level

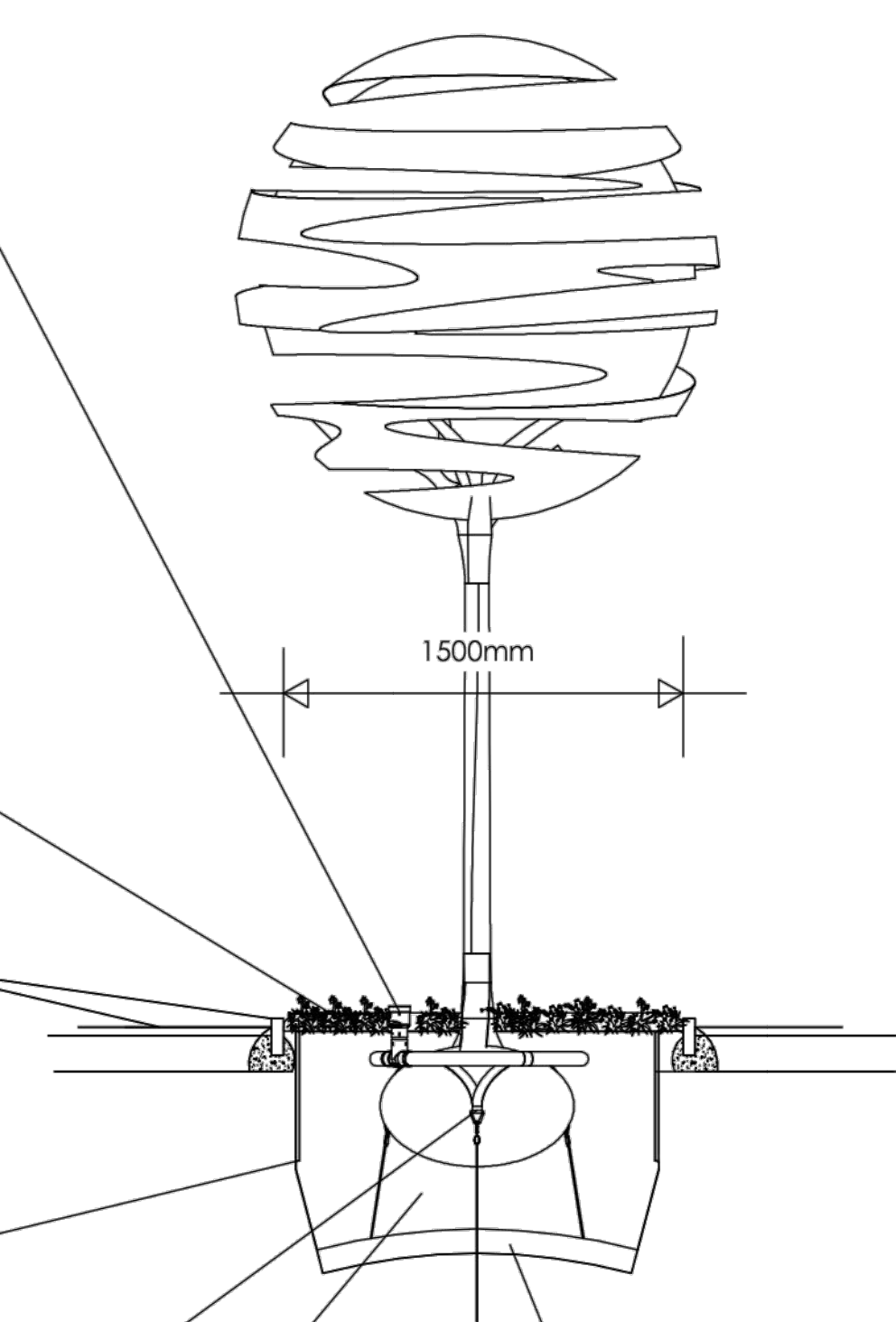
The surface mulch of the tree pit is to be planted with seasonal bedding plants

Surrounds paving edged with pcc edging allow a 50mm upstand to avoid unwanted liquid penetration (BY MAIN CONTRACTOR)

RER600A ReRoot 600 with root deflecting ribs. Install with ribs facing the tree. Install around the upper 600mm of the tree pit. No growing medium over the top of the barrier.

SASMP Arborguy strapped anchor system c/w anchors or dead man.

All backfill to be Green tree amenity tree soil available from Green Tech 01423 332 100



Loosen and shape the base as shown to aid root penetration and pit drainage

**Top soiling Operations**

All top soiling operations are to be carried out in dry conditions to avoid damage to the soil structure all soils are to be to BS 3882, on site soils are to be ameliorated to ensure maximum growth potential.

Prior to topsoil spreading ensure reduced levels allow for 450mm in Ornamental shrub planted areas 150mm in areas to be turfed or seeded 300mm in native structure planted areas.

Stone and deleterious materials are to be removed from the sub grade prior to topsoil importation areas with panning should be loosened by ripping or excavator bucket to ensure free drainage.

Ensure levels are smooth flowing and are sufficient to many in with kerblines and feather in to existing ground profiles.

**GROUND PREPARATION**

NO EARTH WORKS TO TAKE PLACE AROUND EXISTING TREE ROOTS

Prior to amelioration of top soils it is imperative that all landscape areas have all vegetation removed including roots, any deleterious materials, hardcore and any builders debris should be removed from site.

(NOTE Care to be taken prior to any subsolling operations checks to be made with the Main contractor and statutory services for cables and supplies.)

**JD Wetherspoon**  
**Hatfield - Landscape**  
**Proposals**

Scale 1:100 @ A0 Drwg No 220914/001/SJT  
REV B

Date 29th October 2015

Nurture  
Landscapes  
Limited  
Park Road,  
Rishon,  
Blackburn.  
BB1 4NG

Fax: 01254 876 831  
Tel: 01254 886 126

