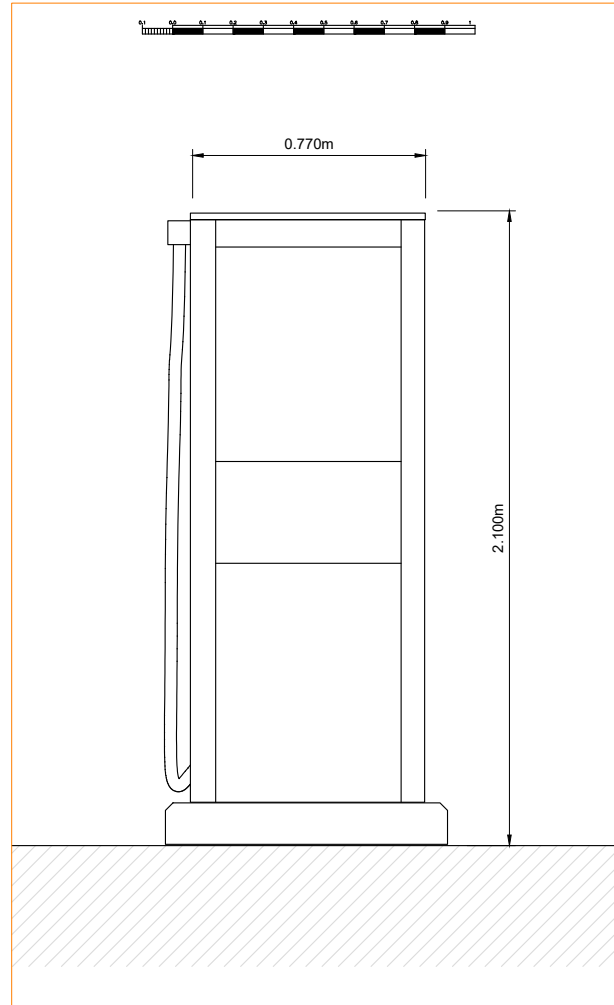
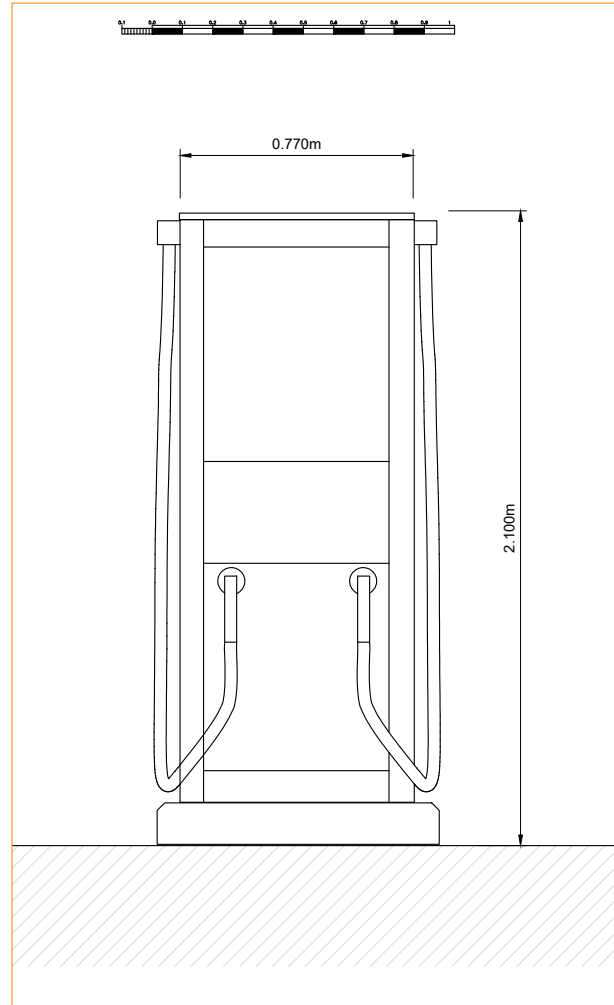


THIS INFORMATION IS CONFIDENTIAL AND THE PROPERTY OF SIRIUS. IT IS RELEASED ON CONDITION THAT NONE OF THE INFORMATION SHALL BE DISCLOSED TO ANY THIRD PARTY OR REPRODUCED IN WHOLE OR PART WITHOUT THE PRIOR CONSENT IN WRITING OF SIRIUS.

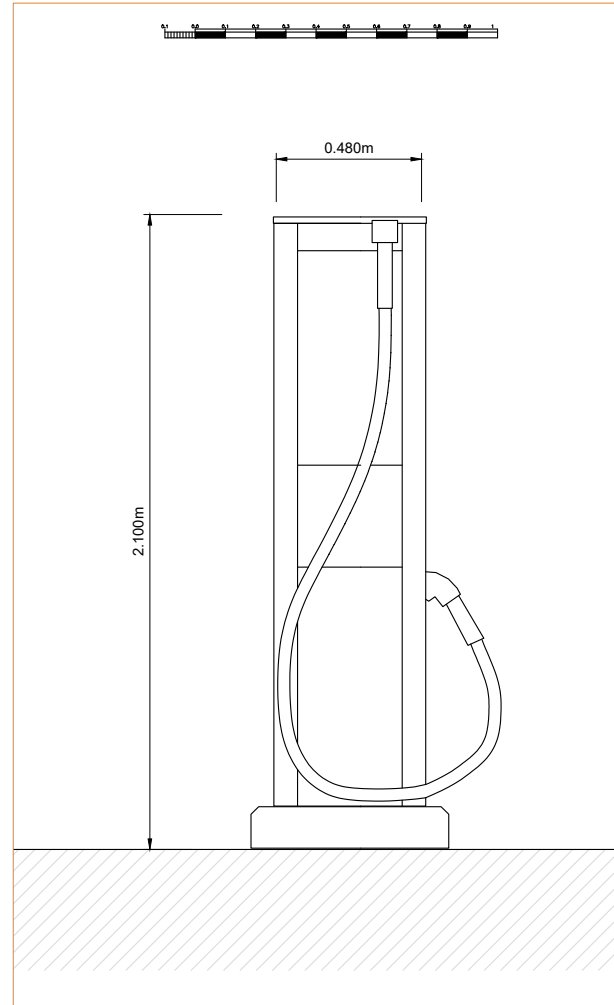
KEY



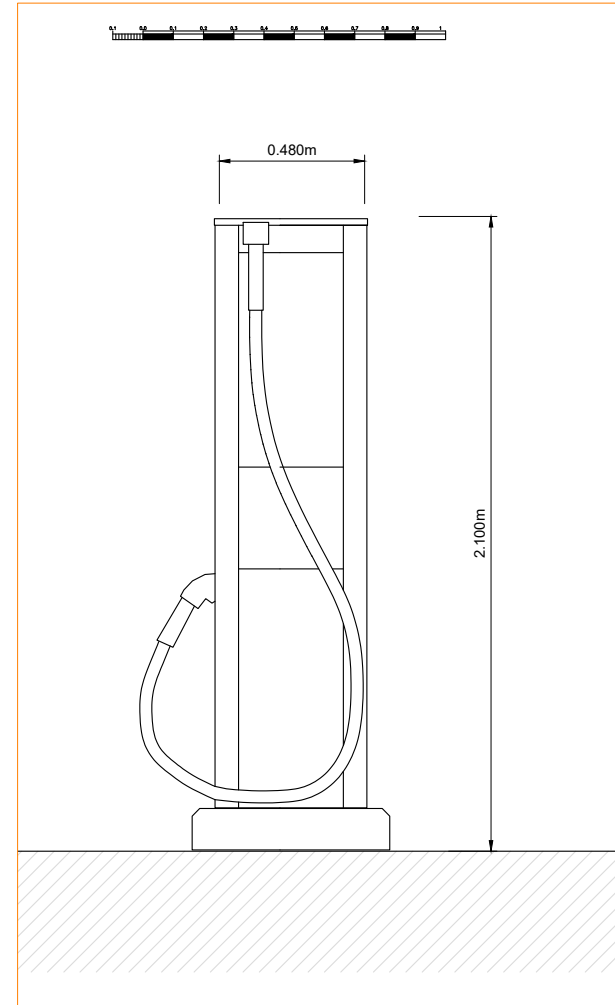
BACK ELEVATION



FRONT ELEVATION



SIDE ELEVATION



SIDE ELEVATION

REV	DESCRIPTION	DATE	BY

CLIENT



JOB TITLE
CNG REFUELLING STATION,
OCADO, HATFIELD

DRAWING TITLE
TYPICAL CNG DISPENSER
ELEVATIONS

DRAWN	DATE	APPROVED	DATE
S.T	15/5/2018	D.B	15/5/2018

SCALE	SHEET	DRAWING NUMBER	REVISION
1:25	A3L	GR1043/01/08	0