

DO NOT SCALE

**CONSTRUCTION NOTES**

1) See Drg. No. 01

PLANNING  
 DEPARTMENT  
 13 FEB 2007  
 NO: 56 2007/230/FP

B A Rev	Date	Issued for B.R. Issued for Planning Description

**OLIVERS**

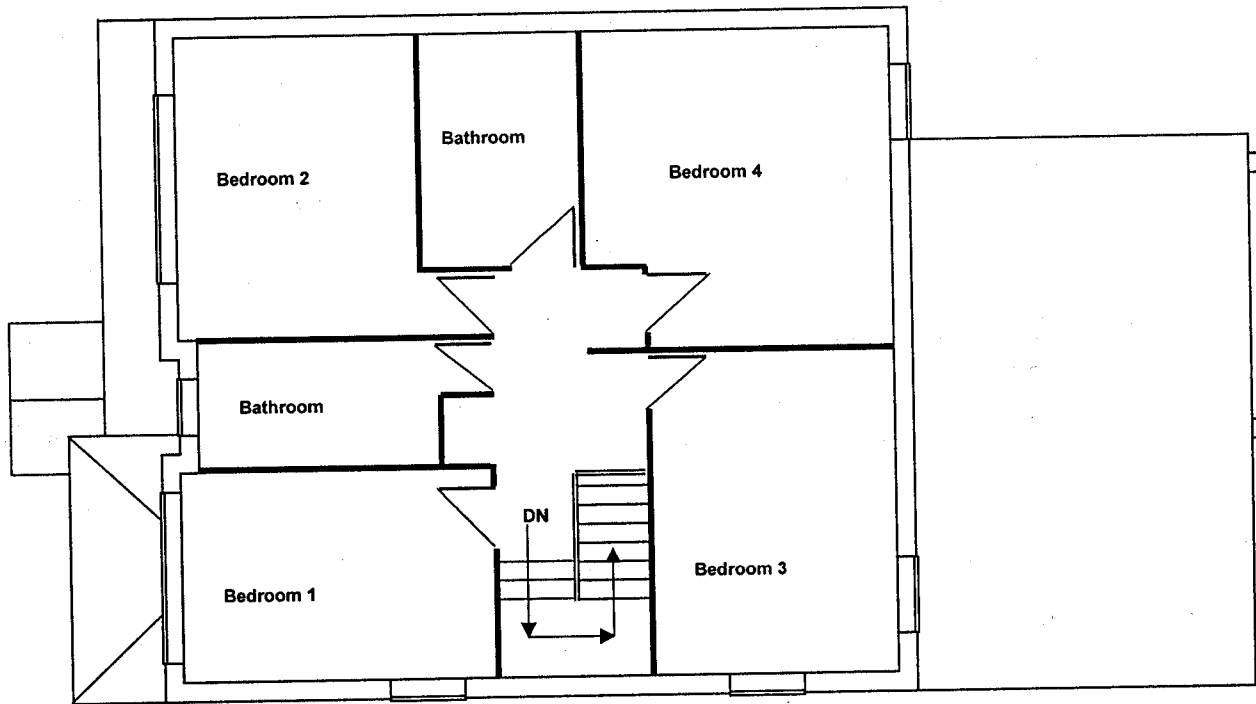
Building Consultants  
& Chartered  
Structural Engineers

Client: Mr. Christley & Ms. Shann

Project First Floor Rear Extension  
52A Plough Hill  
Cuffley, Herts. EN6 4DS

Drg. Title Existing  
Ground Floor  
Plan

Drgn	
Date	March '06
Scale	1:100
Drg.No.	PH/52A/
Rev.	A



**CONSTRUCTION NOTES**

1) See Drg. No. 01

PLANNING  
 DEPARTMENT  
 13 FEB 2007  
 NO: 56 2007/230/FF

B A Rev	Date	Issued for B.R. Issued for Planning Description
---------------	------	---

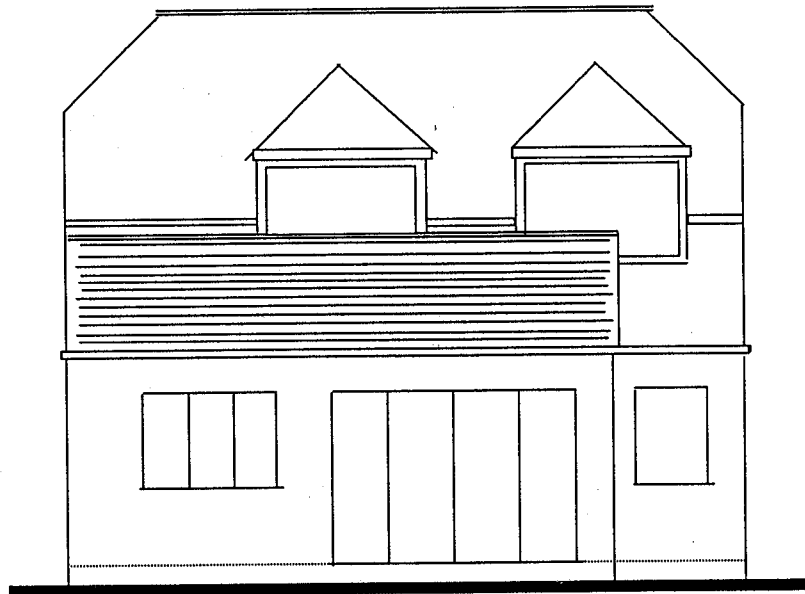
**OLIVERS** Building Consultants  
& Chartered  
Structural Engineers  
Client: Mr. Christley & Ms. Shann

Project First Floor Rear Extension  
52A Plough Hill  
Cufflev. Herts. EN6 4DS

Dra. Title Existing  
First Floor  
Plan

Drn		
Date	March '06	Scale 1:100
Drg.No.	PH/52A/	Rev. A

DO NOT SCALE



*DO NOT SCALE*

**CONSTRUCTION NOTES**

1) See Drg. No. 01

PLANNING DEPARTMENT  
 13 FEB 2007  
 NO: S6 2007 230 | PP

Rev	Date	Description
B A		Issued for B.R. Issued for Planning

**OLIVERS**

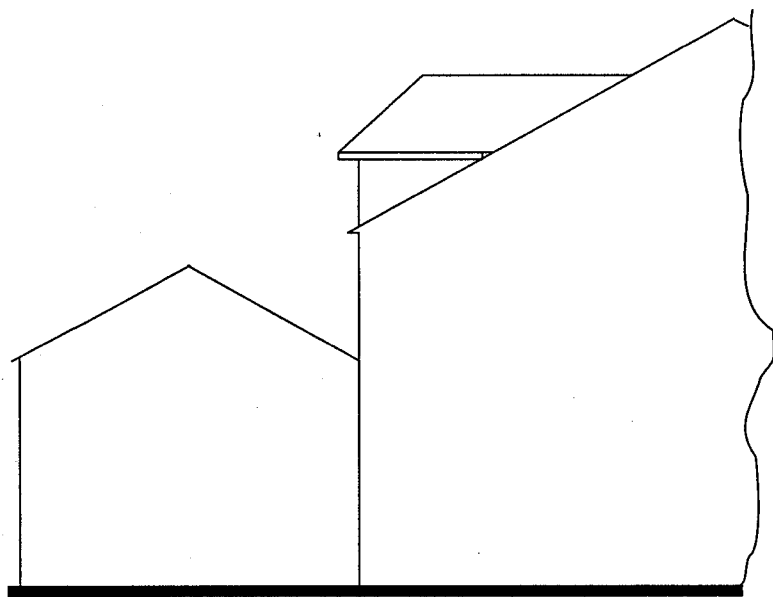
Building Consultants  
& Chartered  
Structural Engineers

Client: Mr. Christlev & Ms. Shann

Project First Floor Rear Extension  
52A Plough Hill  
Cuffley, Herts. EN6 4DS

Dra. Title Existing  
Rear  
Elevation

Dwn		
Date	March '06	Scale 1:100
Drg.No.	PH/52A/08	Rev. A1 <i>A</i>



DO NOT SCALE

**CONSTRUCTION NOTES**

1) See Drg. No. 01

PLANNING  
 DEPARTMENT  
 13 FEB 2007  
 NO: S6 2007 / 230 / PP

B A Rev	Date	Issued for B.R. Issued for Planning Description

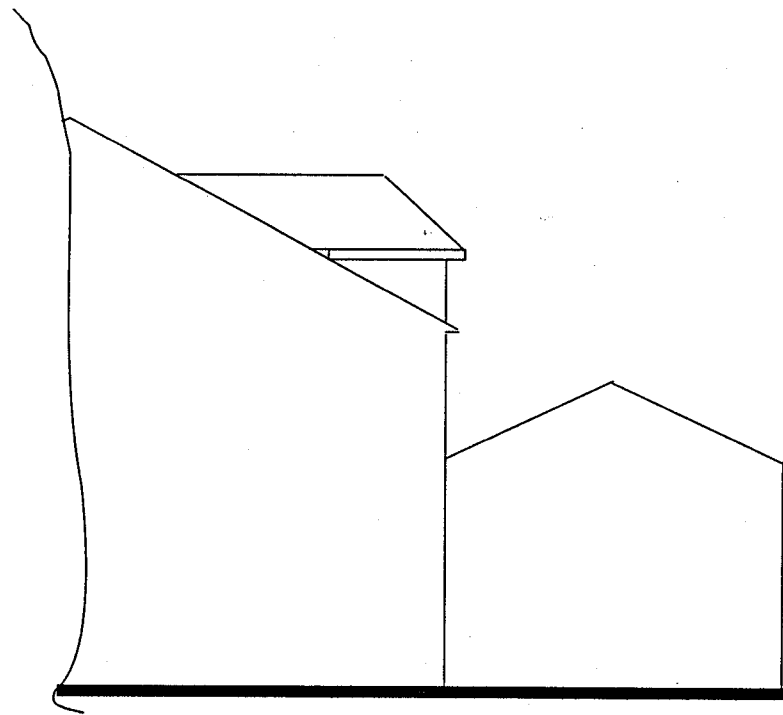
**OLIVERS** Building Consultants  
& Chartered  
Structural Engineers

Client: Mr. Christlev & Ms. Shann

Project: First Floor Rear Extension  
52A Plough Hill  
Cuffley, Herts. EN6 4DS

Dra. Title: Existing  
Side (North West)  
Elevation

Drn		
Date	March '06	Scale 1:100
Drg.No.	PH/52A/07	Rev. A / A



DO NOT SCALE

**CONSTRUCTION NOTES**

1) See Drg. No. 01

PLANNING  
 DEPARTMENT  
 13 FEB 2007  
 NO: S6 2007/230/PP

B A Rev	Date	Issued for B.R. Issued for Planning Description

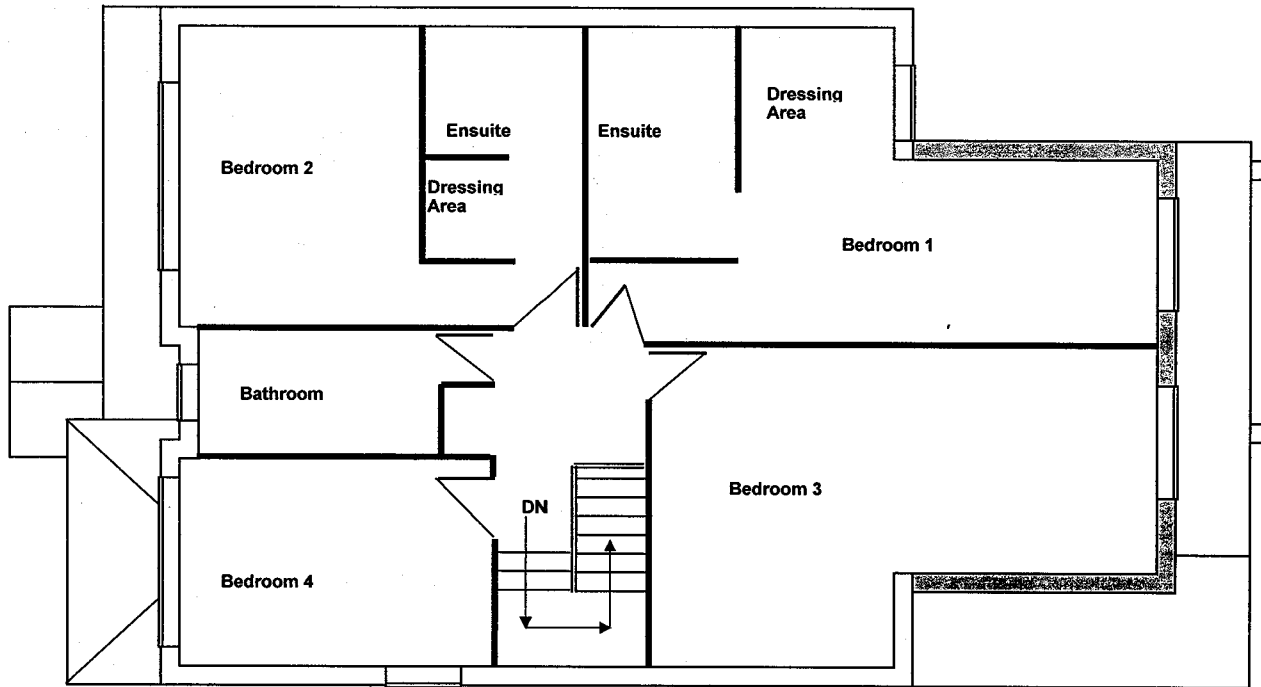
**OLIVERS** Building Consultants  
& Chartered  
Structural Engineers

Client: Mr. Christley & Ms. Shann

Project First Floor Rear Extension  
52A Plough Hill  
Cuffley, Herts. EN6 4DS

Dra. Title Existing  
Side (South East)  
Elevation

Drm		
Date	March '06	Scale 1:100
Drg.No.	PH/52A/10	Rev. A1



**CONSTRUCTION NOTES**

1) See Drg. No. 01

PLANNING  
 DEPARTMENT  
 13 FEB 2007  
 NO: S6 2007 / 230 / PP

B		Issued for B.R. Issued for Planning Description
A	Date	
Rev		

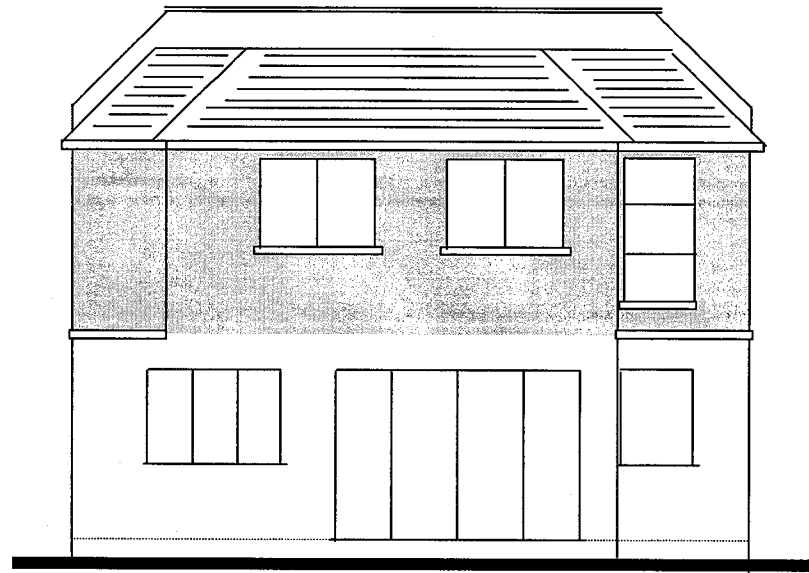
**OLIVERS** Building Consultants  
& Chartered  
Structural Engineers  
Client: Mr. Christley & Ms. Shann

Project: First Floor Rear Extension  
52A Plough Hill  
Cuffley, Herts. EN6 4DS

Dra. Title: Proposed  
First Floor  
Plan

Drn		
Date	Jan '07	Scale 1:100
Drg.No.	PH/52A/	Rev. A

DO NOT SCALE



DO NOT SCALE

**CONSTRUCTION NOTES**

1) See Drg. No. 01

PLANNING  
 DEPARTMENT  
 13 FEB 2007  
 NO: S6 2007/230/PP

B A	Date	Issued for B.R. Issued for Planning Description
Rev		

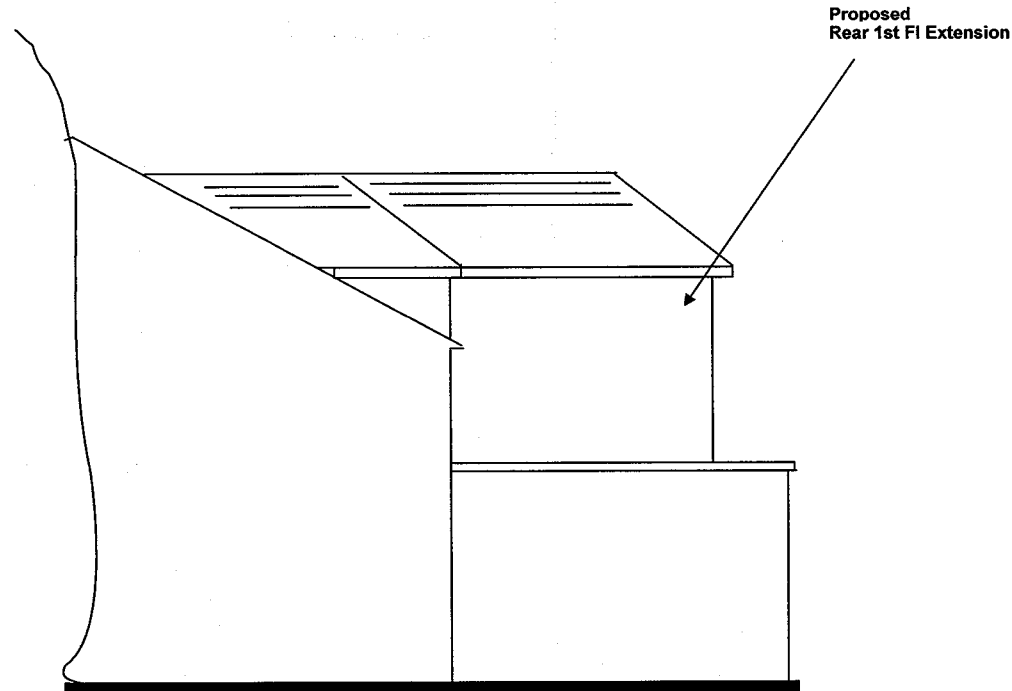
**OLIVERS** Building Consultants  
& Chartered  
Structural Engineers

Client: Mr. Christlev & Ms. Shann

Project First Floor Rear Extension  
52A Plough Hill  
Cufflev. Herts. EN6 4DS

Dra. Title Proposed  
Rear  
Elevation

Drn		
Date	Jan '07	Scale 1:100
Drg.No.	PH/52A/	Rev. A



Proposed  
Rear 1st Fl Extension

DO NOT SCALE

**CONSTRUCTION NOTES**

1) See Drg. No. 01

PLANNING  
DEPARTMENT  
13 FEB 2007  
NO: 56-2007/230/FP

B A Rev	Date	Issued for B.R. Issued for Planning Description

**OLIVERS**

Building Consultants  
& Chartered  
Structural Engineers

Client: Mr. Christley & Ms. Shann

Project First Floor Rear Extension  
52A Plough Hill  
Cuffley, Herts. EN6 4DS

Dra. Title Proposed  
Side (South East)  
Elevation

Drm		
Date	Jan '07	Scale 1:100
Drg.No.	PH/52A/	Rev. A