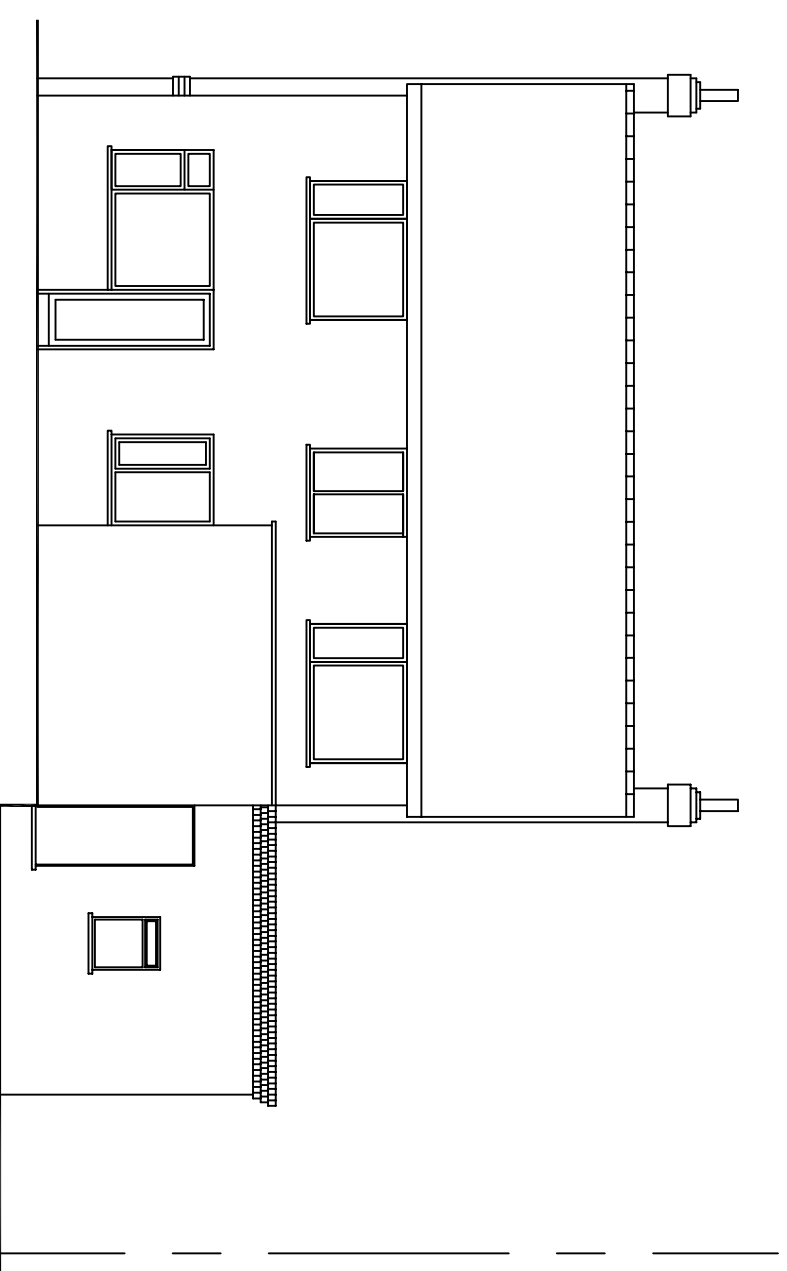
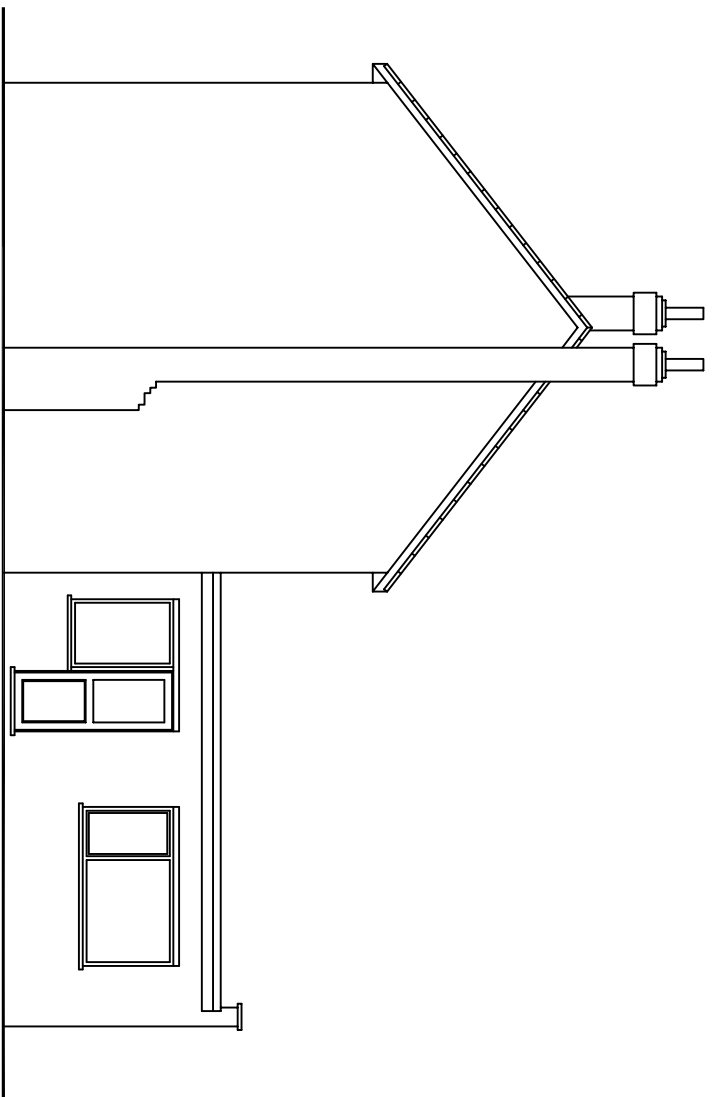


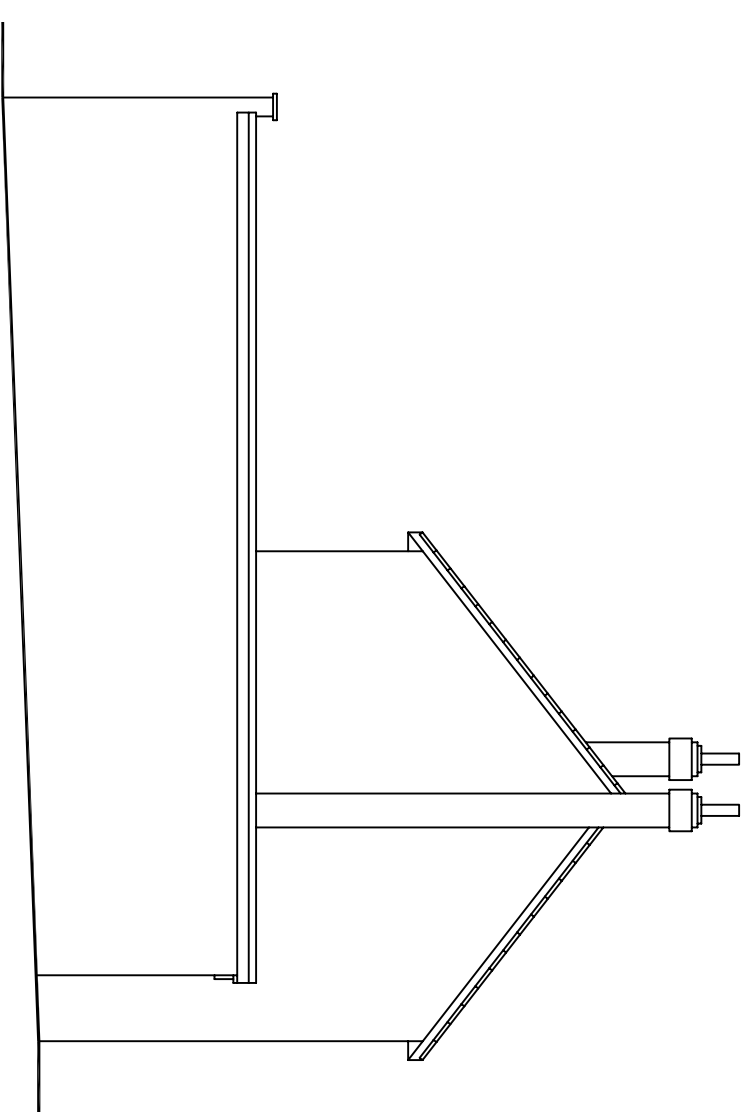
EXISTING FRONT ELEVATION



EXISTING REAR ELEVATION



EXISTING FLANK ELEVATION



EXISTING FLANK ELEVATION

ADDRESS : 5 ORCHARD CLOSE, EN6 4QD		<p>MIDAS PLANNING</p> <p>THE WENTA BUSINESS CENTRE 1 ELECTRIC AVENUE ENFIELD EN3 7XU Tel: 07890562875 Fax: 020 3006 8936</p>	
PROJECT TITLE : EXTENSIONS AND LOFT			
DRAWING TITLE : EXISTING			
drawn	MIDAS PLANNING	scale	1 / 100
date	JULY 2012	dwg no.	375/02