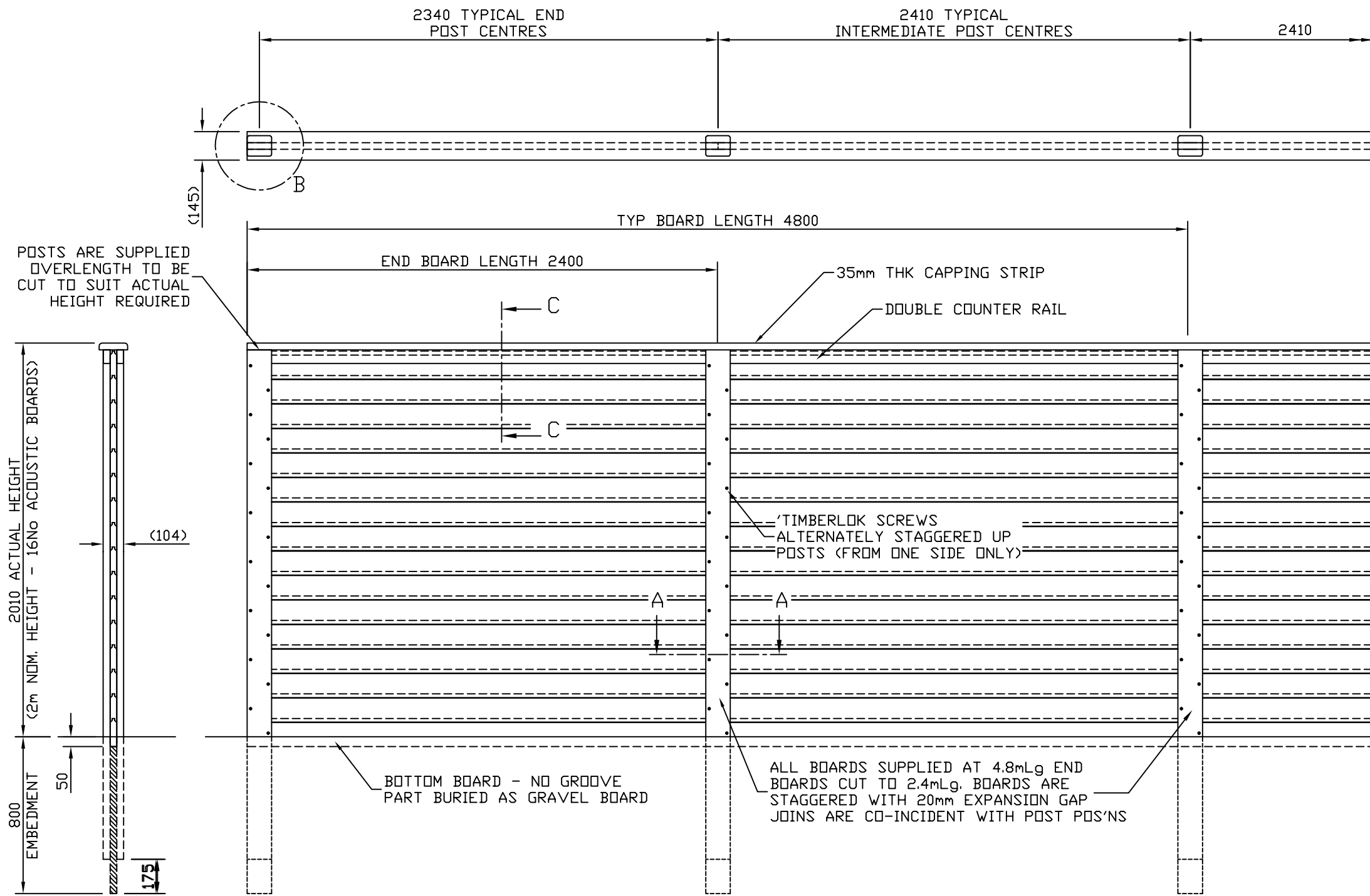
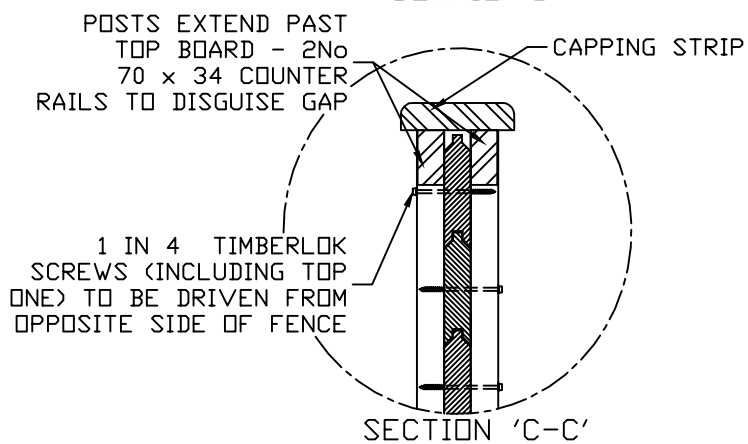
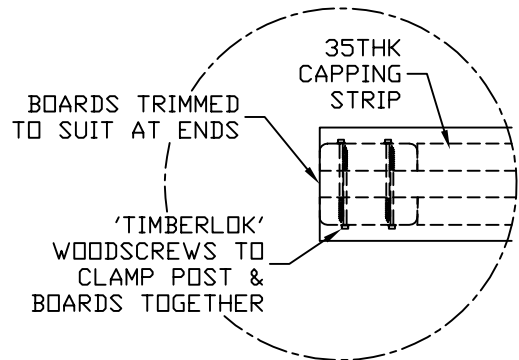
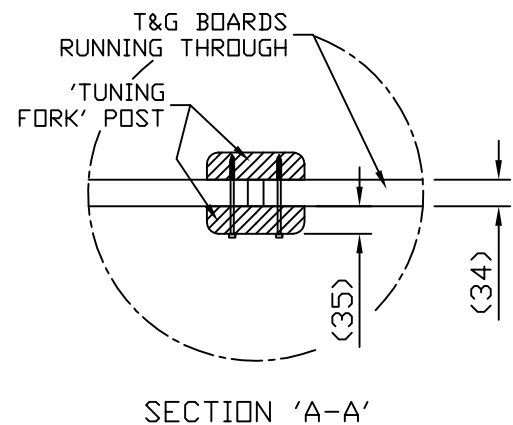


DO NOT SCALE – IF IN DOUBT ASK

NOTES

- MAT'LS** – TIMBER TREATED WITH 'JAKCURE' PROCESS
- ACOUSTIC BOTTOM BOARD – 146 x 34 THK (125 Nom. FACE)
 - ACOUSTIC T&G BOARDS – 146 x 34 THK (125 Nom. FACE)
 - CAPPING RAIL – 145 x 34 THK PAR
 - POST SIDES – 125 x 34 THK PAR
 - COUNTER RAIL – 70 x 34 THK PAR

ALL FIXINGS ARE GALVANISED OR STAINLESS STEEL



Jacksons
FINE FENCING

Stowting Common
Near Ashford,
KENT. TN25 6BN
Telephone : 01233 750393
Fax: 01233 750403
Int. Tel : +44 (0)1233 750393

- ④ 27/11/13 MATERIAL LIST REVISED
- ③ 16/12/11 UPDATE
- ② 07/01/08 UPDATE
- ① 04/03/06 SYSTEM CHANGE
- ① 16/01/06 ORIGINAL ISSUE

Drawn JR
Date 16/01/05
Checked AT
Size A3
Scale 1:25 U.O.S

TITLE
DETAIL OF JAKOUSTIC
FENCING SYSTEM – 2.0mH

CUSTOMER
ACK No.

Drawing No.
06 J7/01043
Sheet 1 – 2mH