

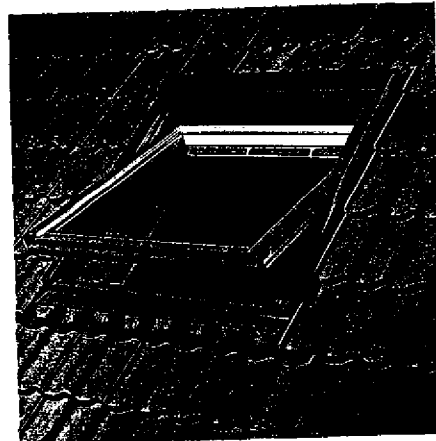
# VELUX flashings EDZ for tiles and profiled materials, and EDH for high profiled materials



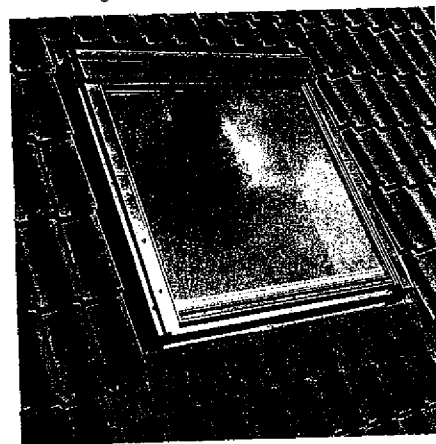
## EDZ flashings

Available for all VELUX roof windows, the EDZ flashings are for use with roofing materials thicker than 8mm to a maximum of 45mm. These include concrete tiles, plain tiles and roofing stones.

The EDZ is suitable for roof pitches from 20° upwards. Finished in umbergrey aluminium to match all VELUX windows, it is completely watertight and resistant to corrosion. The pressing and folding production process precludes the need for any welds. This in turn avoids any future trouble at such potentially weak points.



EDZ flashing



EDH flashing

## EDH flashings

The VELUX EDH flashing is specially designed for use with tiles and high profile materials from 45mm to 90mm in roof slopes from 15° upwards.

Like the other VELUX flashings, it is compatible with all roof windows in the range, and is finished in matching umbergrey aluminium. Once fitted, it is completely weather-tight.

The EDH flashing is manufactured by pressing and folding. There are no welds to cause any future deterioration problems at weak points. The flashing is corrosion resistant and extremely durable.

Note: The EDV flashing is available for profiled materials from 90mm to 120mm in roof slopes from 15° upwards.

## Easy Installation

Installing the EDZ and EDH flashings is a straightforward process thanks to detailed, step-by-step instructions. Advance copies of these are available on request.

### TYPE EDZ FLASHING

UPPER FLASHING SECTION WITH FLEXIBLE FOAM SEAL

TILE SUPPORT

SIDE FLASHING SECTIONS WITH FLEXIBLE FOAM SEALS

BOTTOM APRON FLASHING WITH LACQUERED LEAD APRON

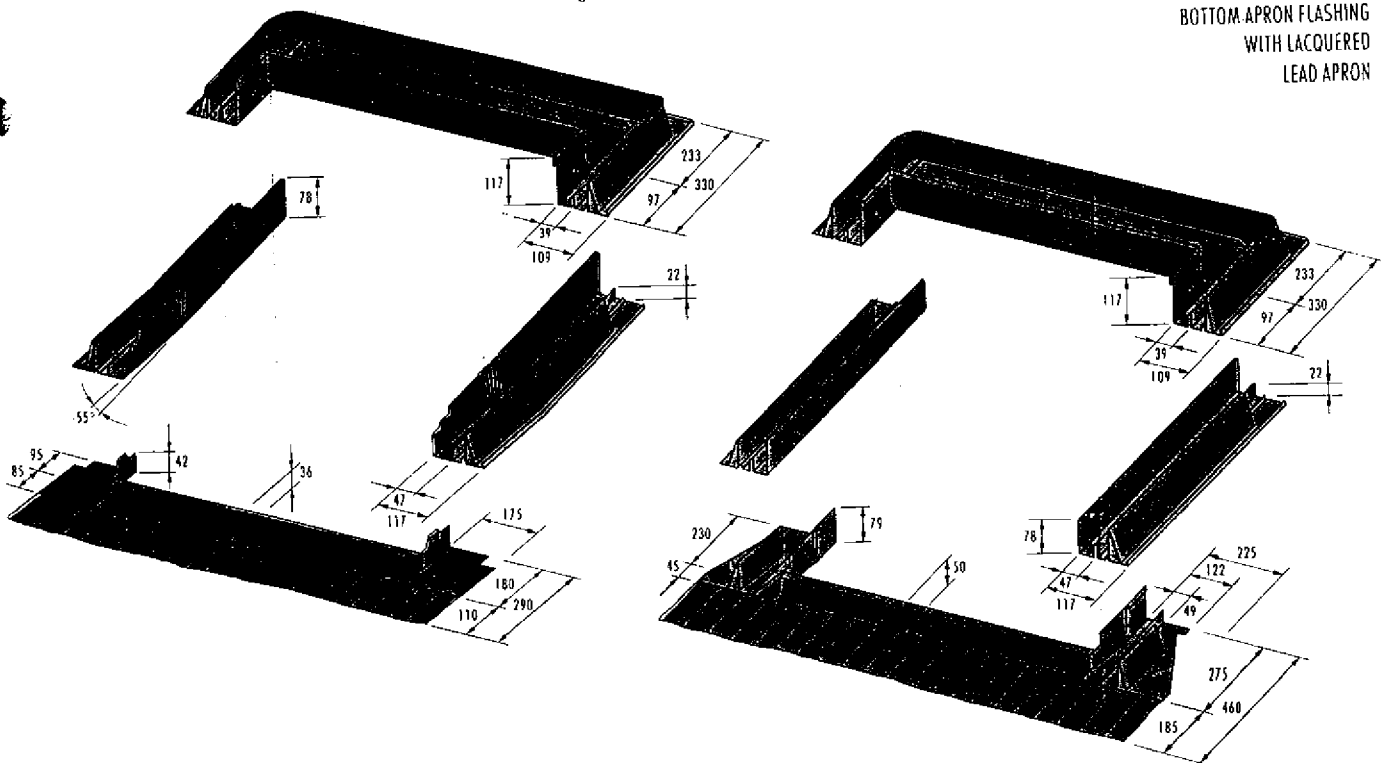
### TYPE EDH FLASHING

UPPER FLASHING SECTION WITH FLEXIBLE FOAM SEAL

TILE SUPPORT

SIDE FLASHING SECTIONS WITH FLEXIBLE FOAM SEALS

BOTTOM APRON FLASHING WITH LACQUERED LEAD APRON



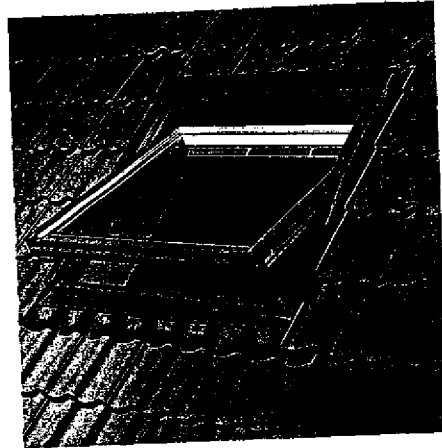
# VELUX flashings EDZ for tiles and profiled materials, and EDH for high profiled materials



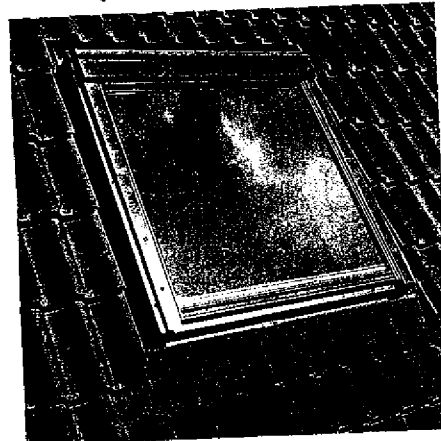
## EDZ flashings

Available for all VELUX roof windows, the EDZ flashings are for use with roofing materials thicker than 8mm to a maximum of 45mm. These include concrete tiles, plain tiles and roofing stones.

The EDZ is suitable for roof pitches from 20° upwards. Finished in umber-grey aluminium to match all VELUX windows, it is completely watertight and resistant to corrosion. The pressing and folding production process precludes the need for any welds. This in turn avoids any future trouble at such potentially weak points.



EDZ flashing



EDH flashing

## EDH flashings

The VELUX EDH flashing is specially designed for use with tiles and high profile materials from 45mm to 90mm in roof slopes from 15° upwards.

Like the other VELUX flashings, it is compatible with all roof windows in the range, and is finished in matching umber-grey aluminium. Once fitted, it is completely weather-tight.

The EDH flashing is manufactured by pressing and folding. There are no welds to cause any future deterioration problems at weak points. The flashing is corrosion resistant and extremely durable.

Note: The EDW flashing is available for profiled materials from 90mm to 120mm in roof slopes from 15° upwards.

## Easy Installation

Installing the EDZ and EDH flashings is a straightforward process thanks to detailed, step-by-step instructions. Advance copies of these are available on request.

### TYPE EDZ FLASHING

UPPER FLASHING SECTION WITH FLEXIBLE FOAM SEAL

TILE SUPPORT

SIDE FLASHING SECTIONS WITH FLEXIBLE FOAM SEALS

BOTTOM APRON FLASHING WITH LACQUERED LEAD APRON

### TYPE EDH FLASHING

UPPER FLASHING SECTION WITH FLEXIBLE FOAM SEAL

TILE SUPPORT

SIDE FLASHING SECTIONS WITH FLEXIBLE FOAM SEALS

BOTTOM APRON FLASHING WITH LACQUERED LEAD APRON

