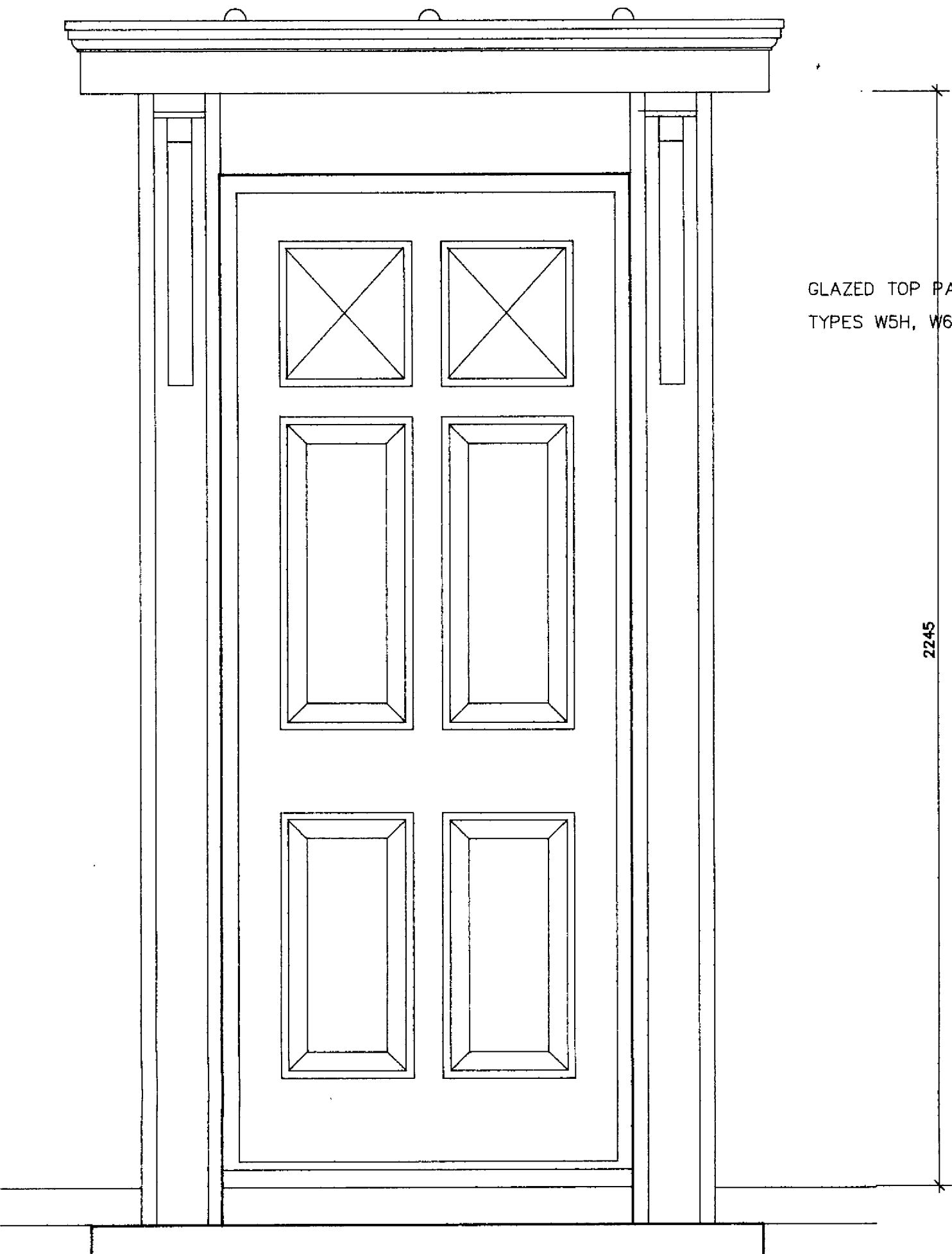


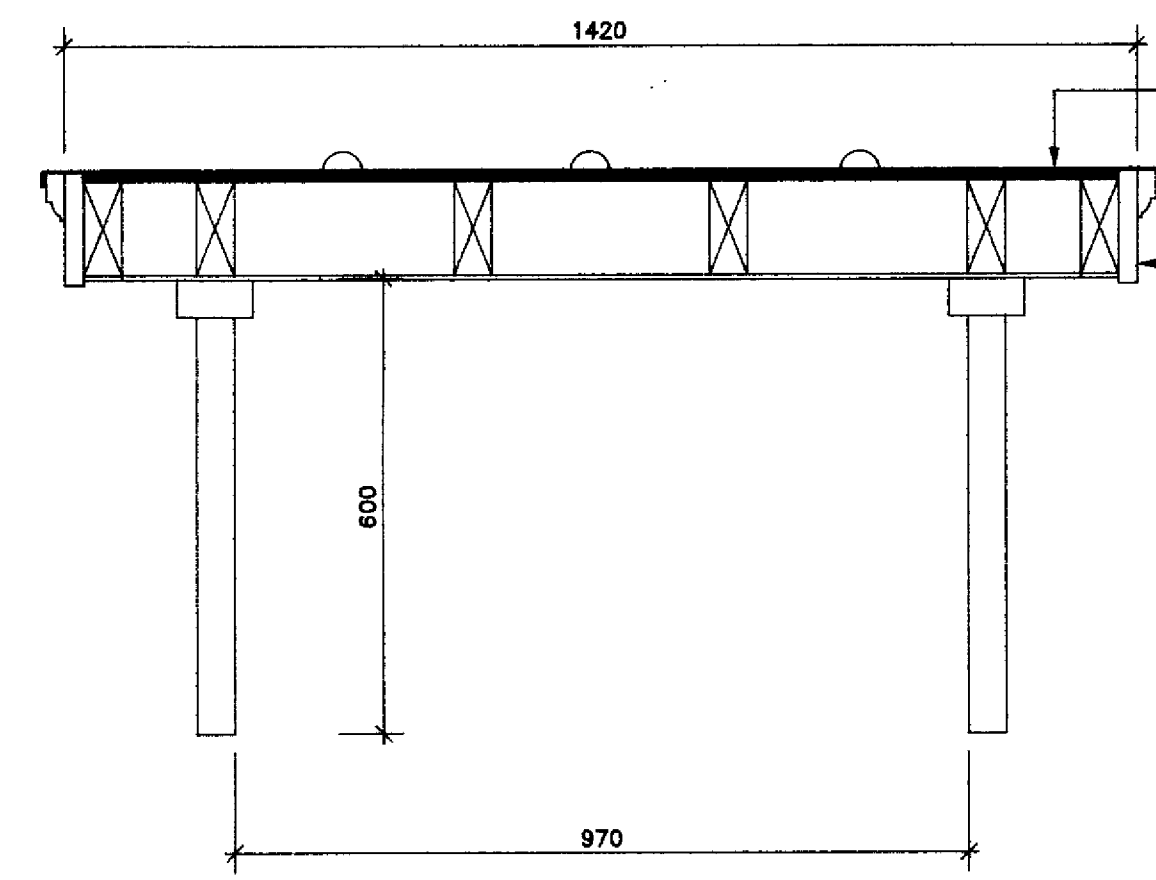
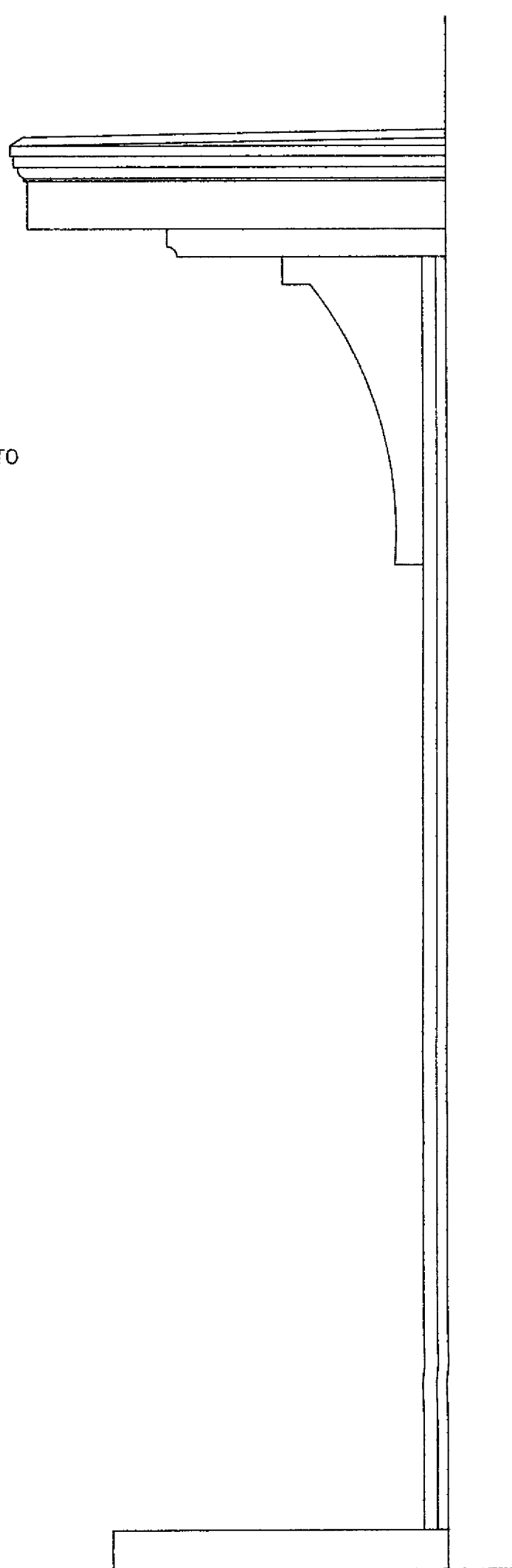
DO NOT SCALE
 Report any errors or omissions
 Check all dimensions on site prior to commencing the works or preparing any shop drawings.
 This drawing is copyright.

NOTES:

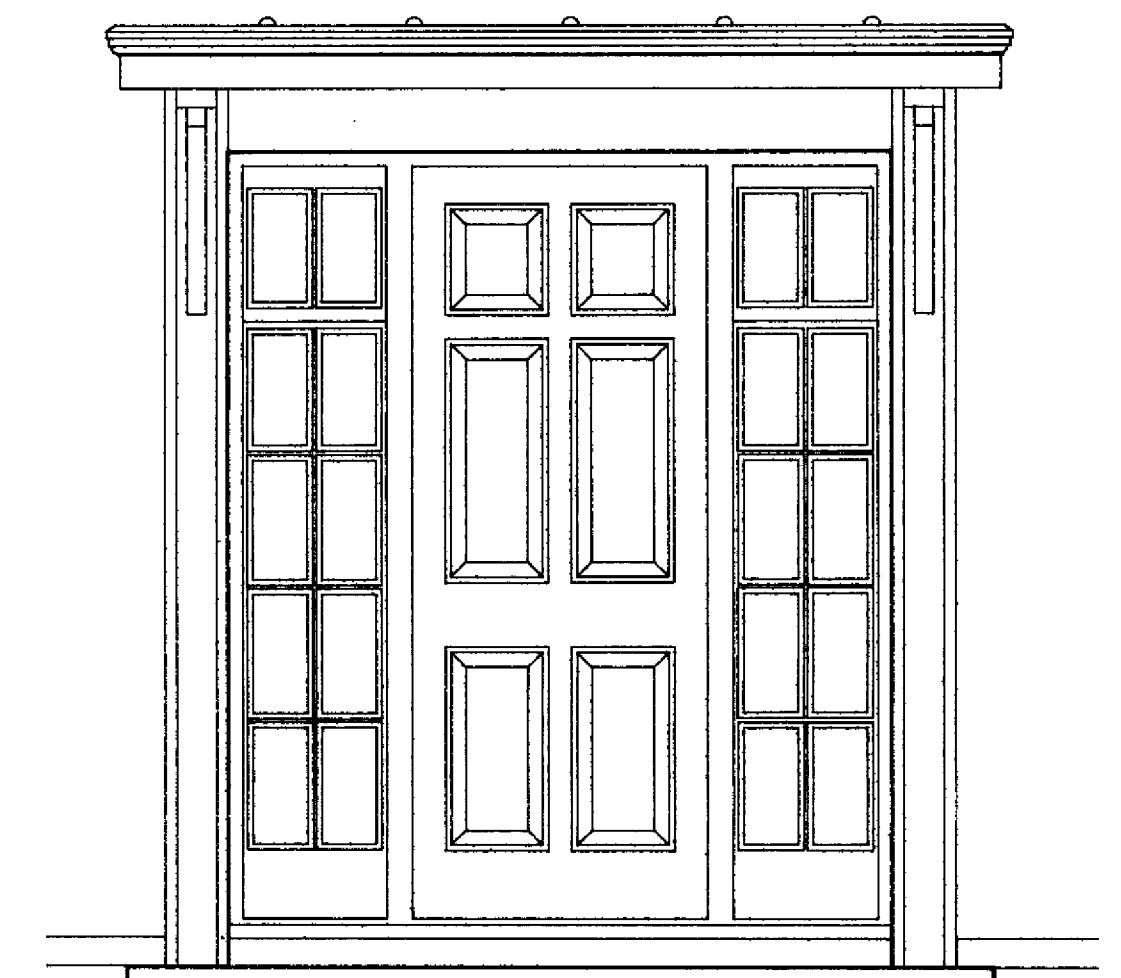
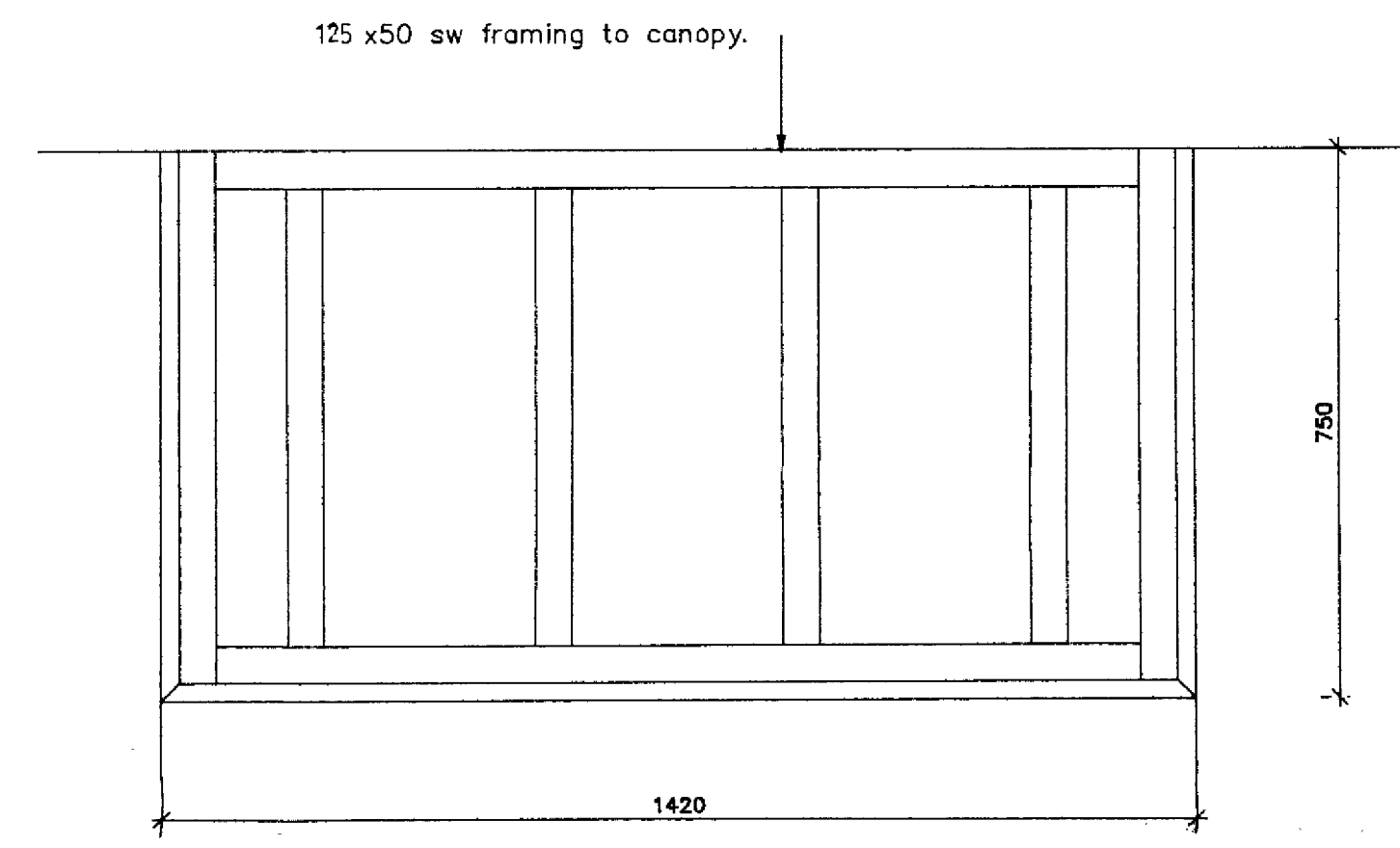
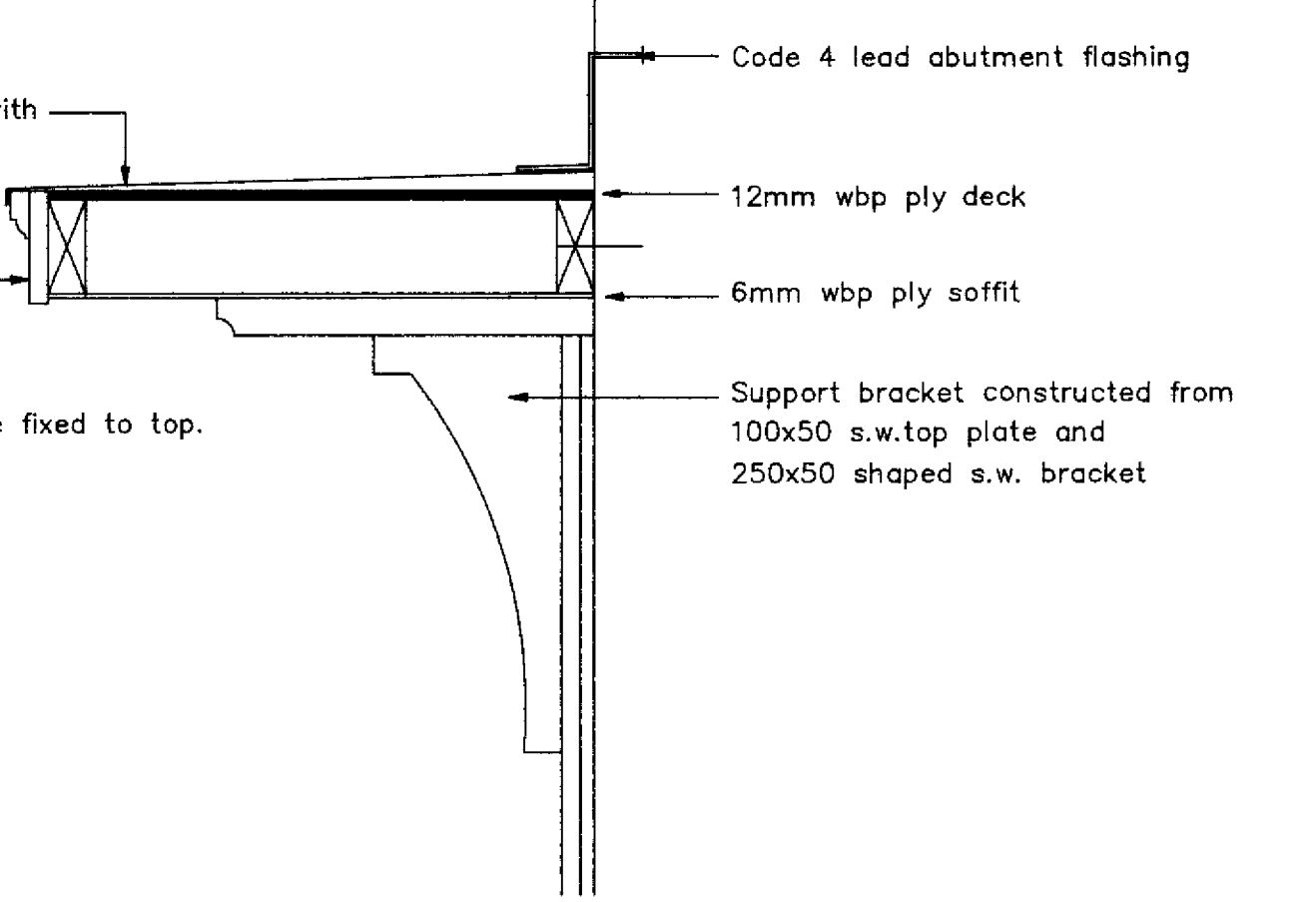


ENTRANCE TYPE W7 AND W8

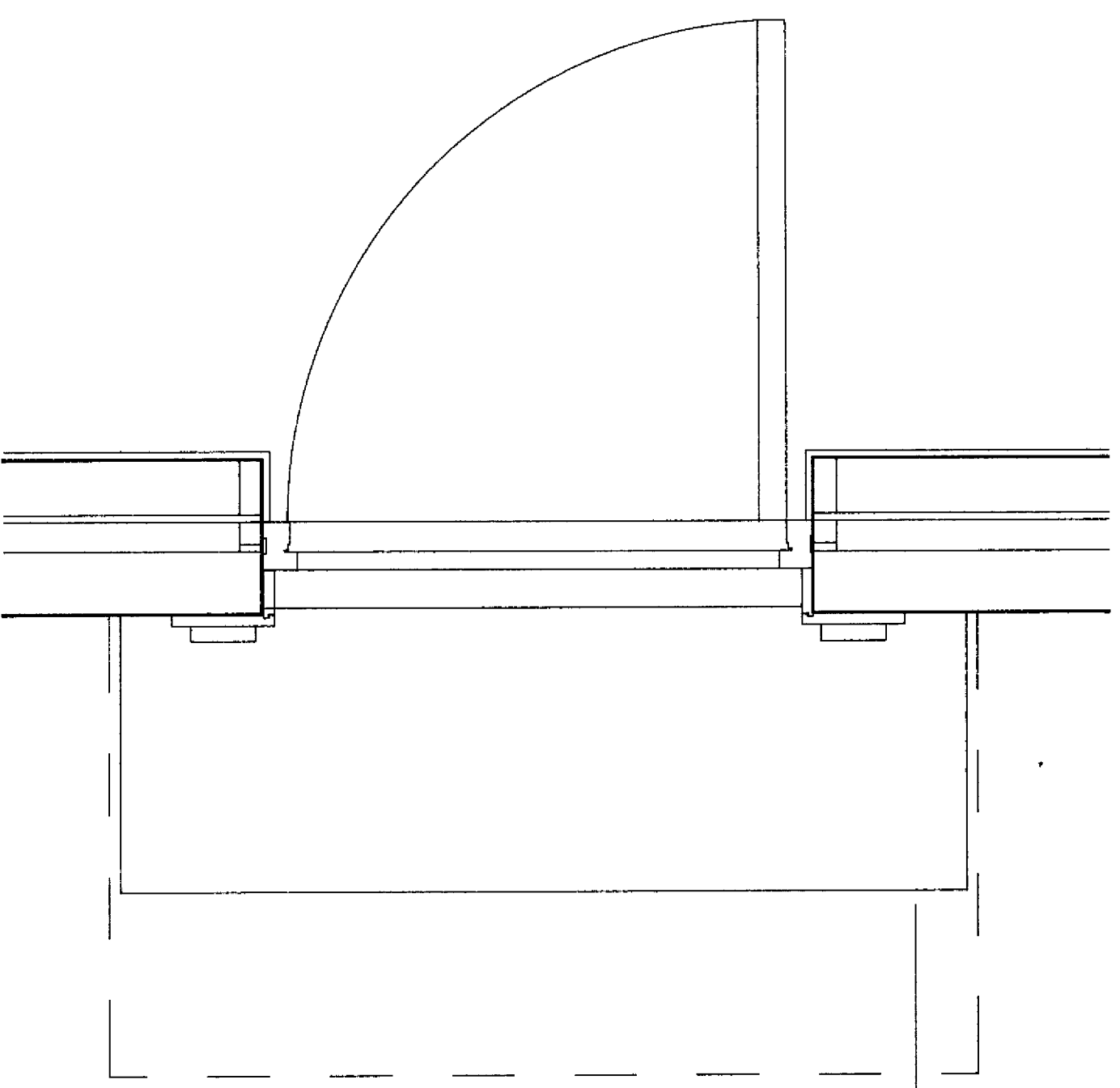
GLAZED TOP PANELS IN DOORS TO TYPES W5H, W6, W5K, W7, W8



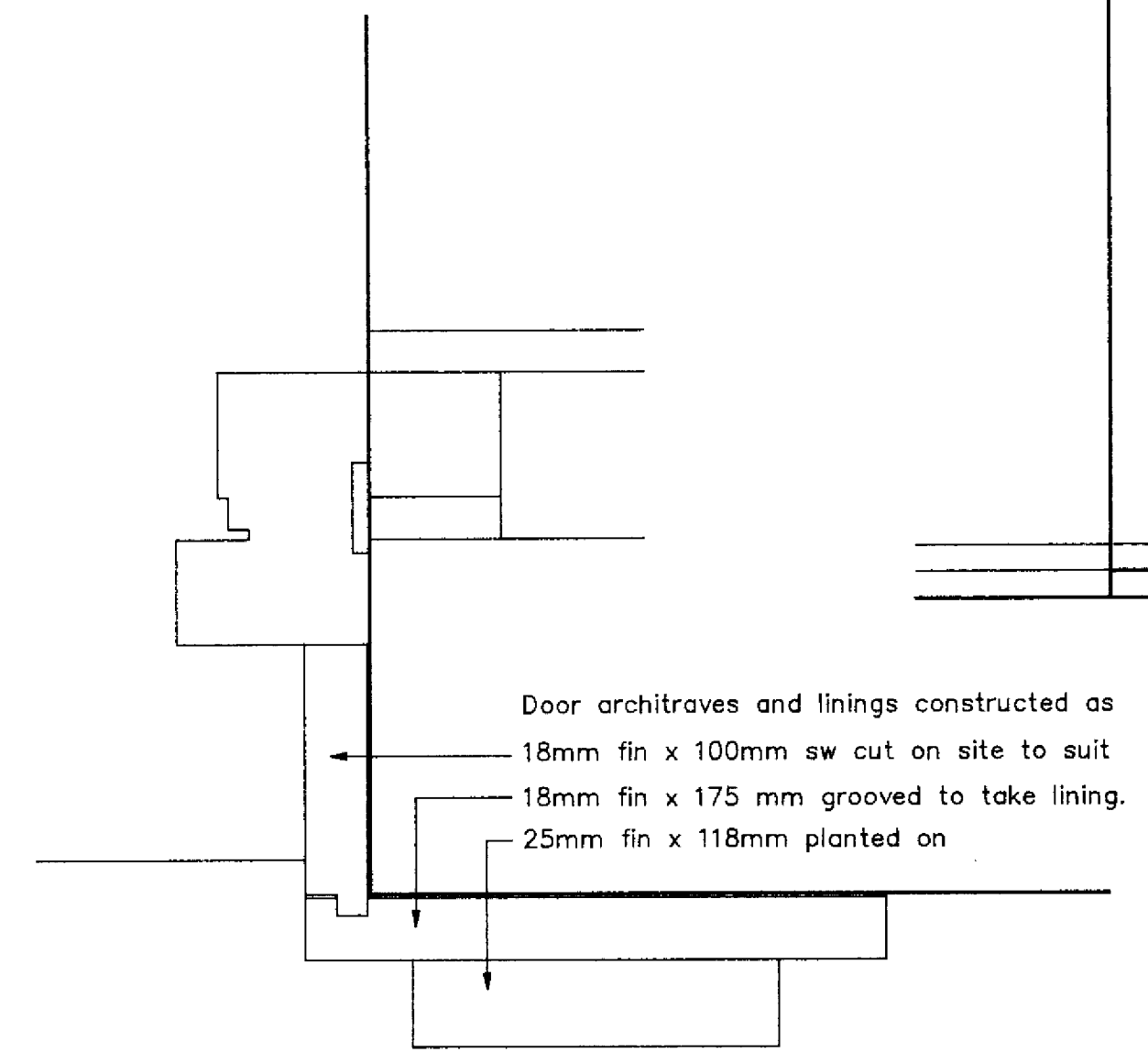
CONSTRUCTION



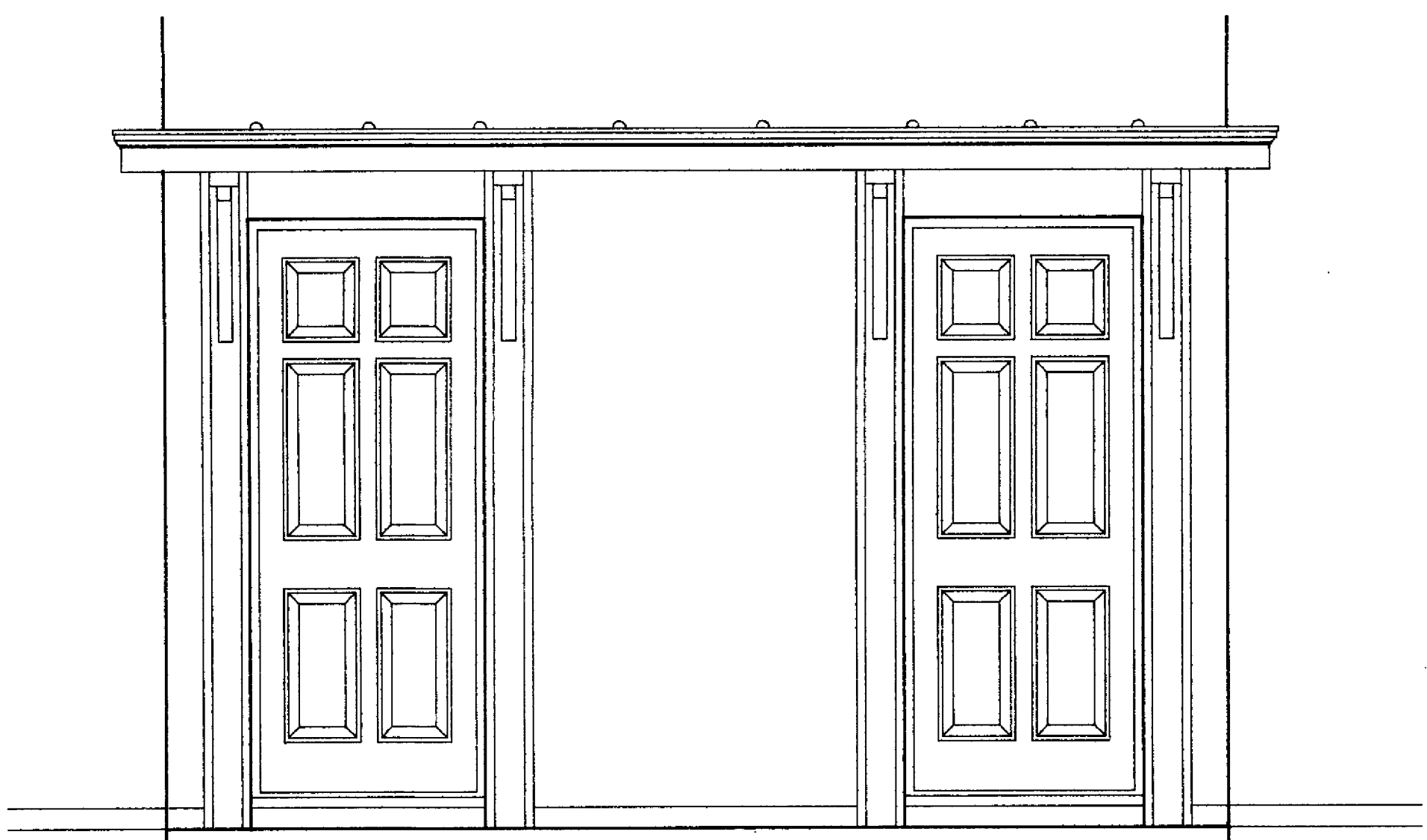
ENTRANCE TYPE W8B



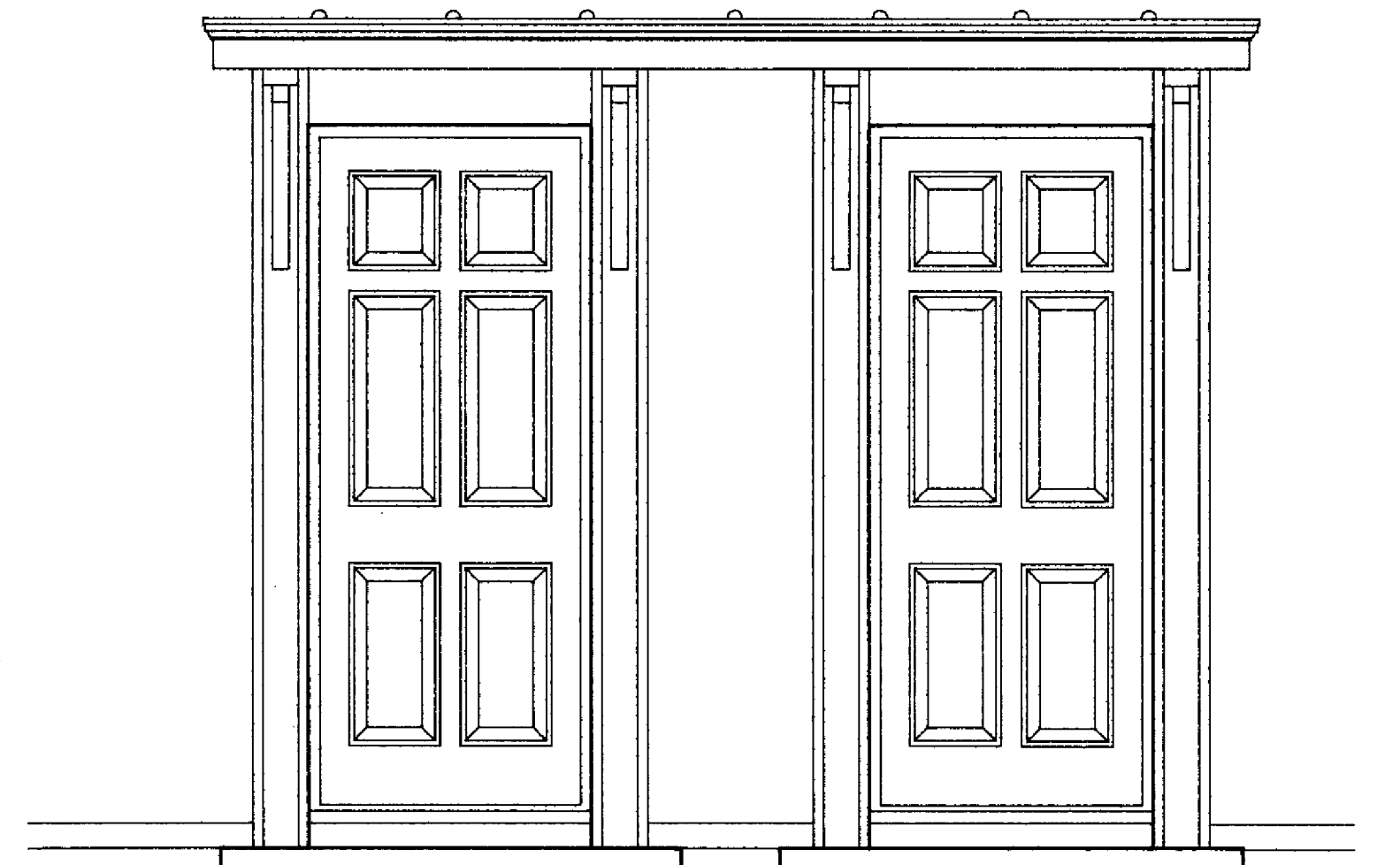
PLAN



DETAIL



ENTRANCE TYPE W5K



ENTRANCE TYPE W5H AND W6

FINISHES; ALL S.WOOD TREATED AND PREPARED TO RECEIVE PRIMER UNDERCOAT AND 2 TOP COATS OF EXTERNAL GLOSS PAINT COLOUR - WHITE.

Rev: Date:



BUILDING DESIGN CONSULTANTS
 24 New Hythe Lane, Larkfield, Maidstone, Kent ME20 6PN
 Telephone: 0732 870748 Facsimile: 0732 870196

Client/Job title
LONGCROFT LANE

drawing
STANDARD ENTRANCE DETAILS

Scale: 1:10 1:20 1:5 9:3:94 drawn: A.F. drawing No: 850/21

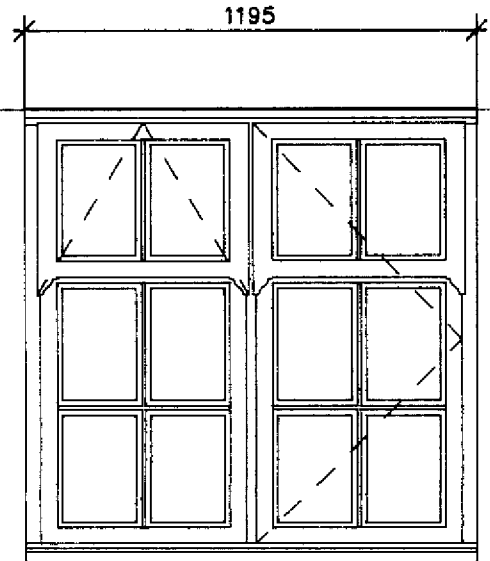
DO NOT SCALE
 Report any errors or omissions
 Check all dimensions on site prior to commencing the works or preparing any shop drawings.
 This drawing is copyright.

NOTES:



WINDOW JOINERY BASED ON ABBOTT JOINERY REGENCY WINDOW RANGE
 SASH AND GLAZING DIVISIONS ADJUSTED FROM STANDARD
 TO MATCH THIS DRAWING.

ALL JOINERY TO BE PAINTED WHITE.



FIRE ESCAPE WINDOW
 TYPE W5

Rev. Date:



BUILDING DESIGN CONSULTANTS
 24 New Hythe Lane, Larkfield, Maidstone, kent ME20 6PN
 Telephone: 0732 870748 Facsimile: 0732 870196

Client/Job title
LONCROFT LANE

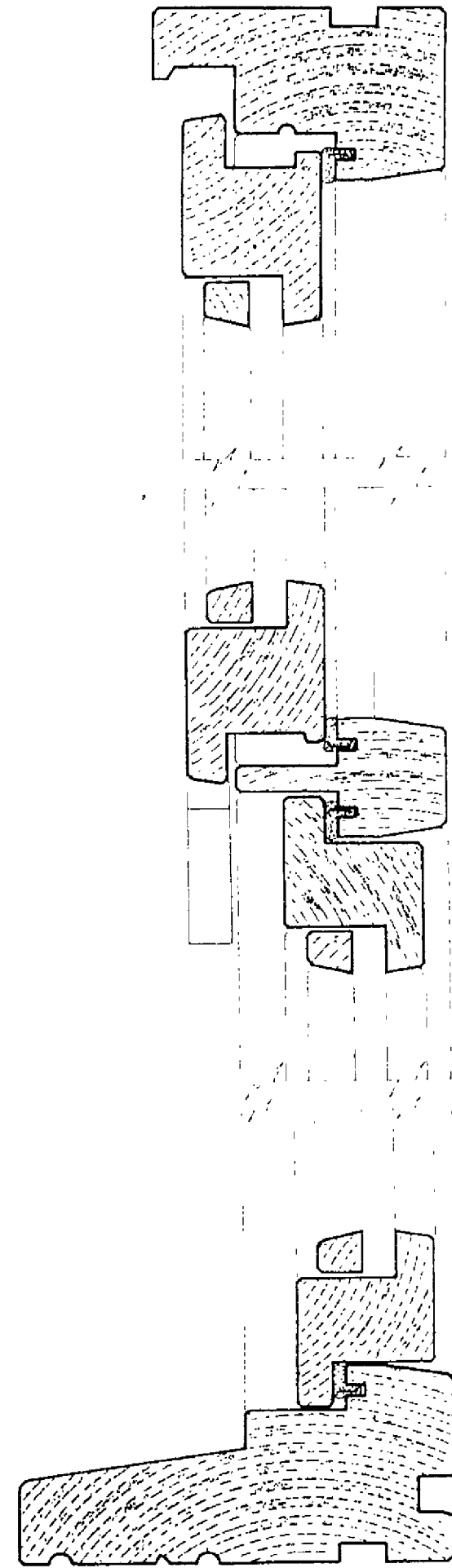
drawing
WINDOW DETAILS

Scale: 1:20 date: 10.3.94 drawn: AF drawing No: 850/22

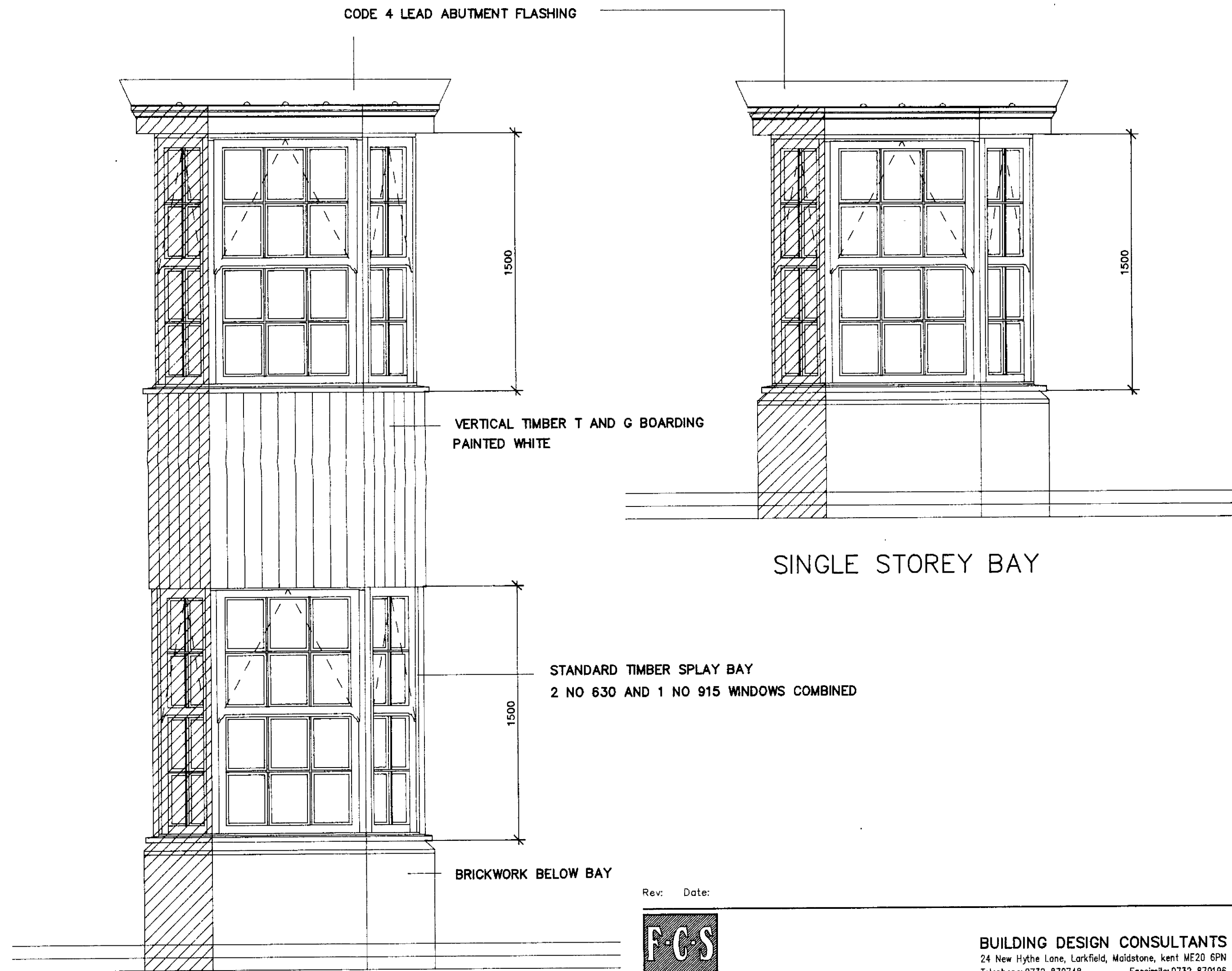
DO NOT SCALE

Report any errors or omissions
Check all dimensions on site prior to commencing the works or preparing any shop drawings.
This drawing is copyright.

NOTES:



STANDARD SECTION DETAILS



TWO STOREY BAY

SINGLE STOREY BAY

Rev: Date:



BUILDING DESIGN CONSULTANTS
24 New Hythe Lane, Larkfield, Maidstone, Kent ME20 6PN
Telephone: 0732 870748 Facsimile: 0732 870196

Client/Job title
LONGCROFT LANE

drawing

WINDOW DETAILS 2

Scale: 1:20

date: 10.3.94

drawn: AF

drawing No: 850/23