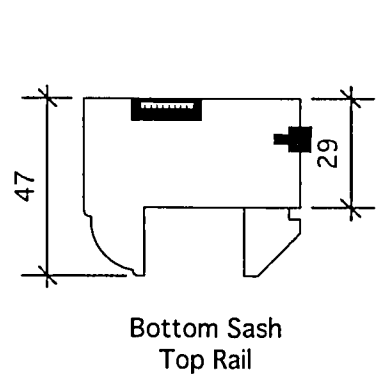
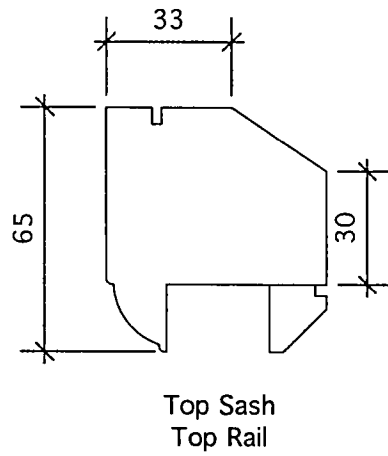


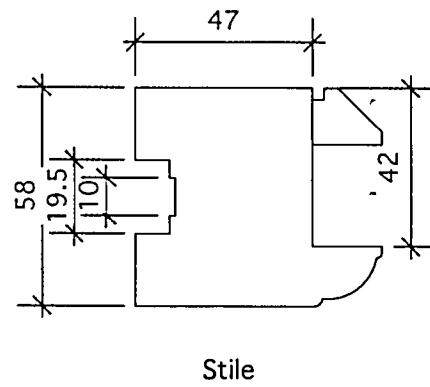
# PLANNING APPLICATION DRAWING



Bottom Sash  
Top Rail

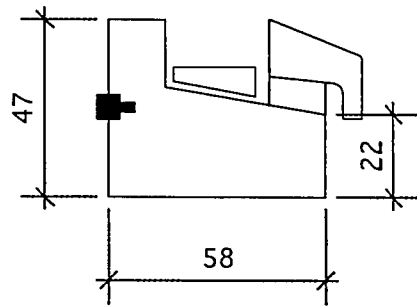


Top Sash  
Top Rail

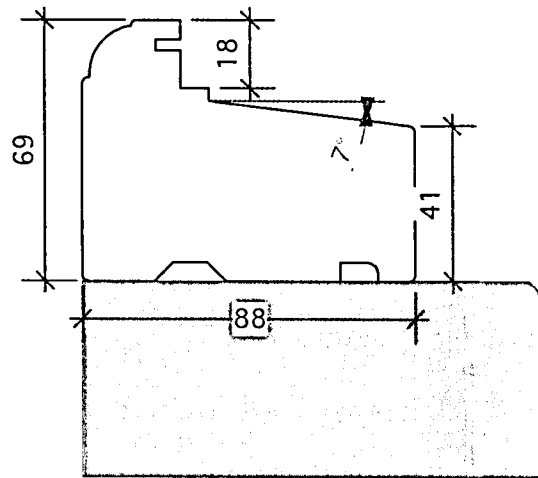


Stile

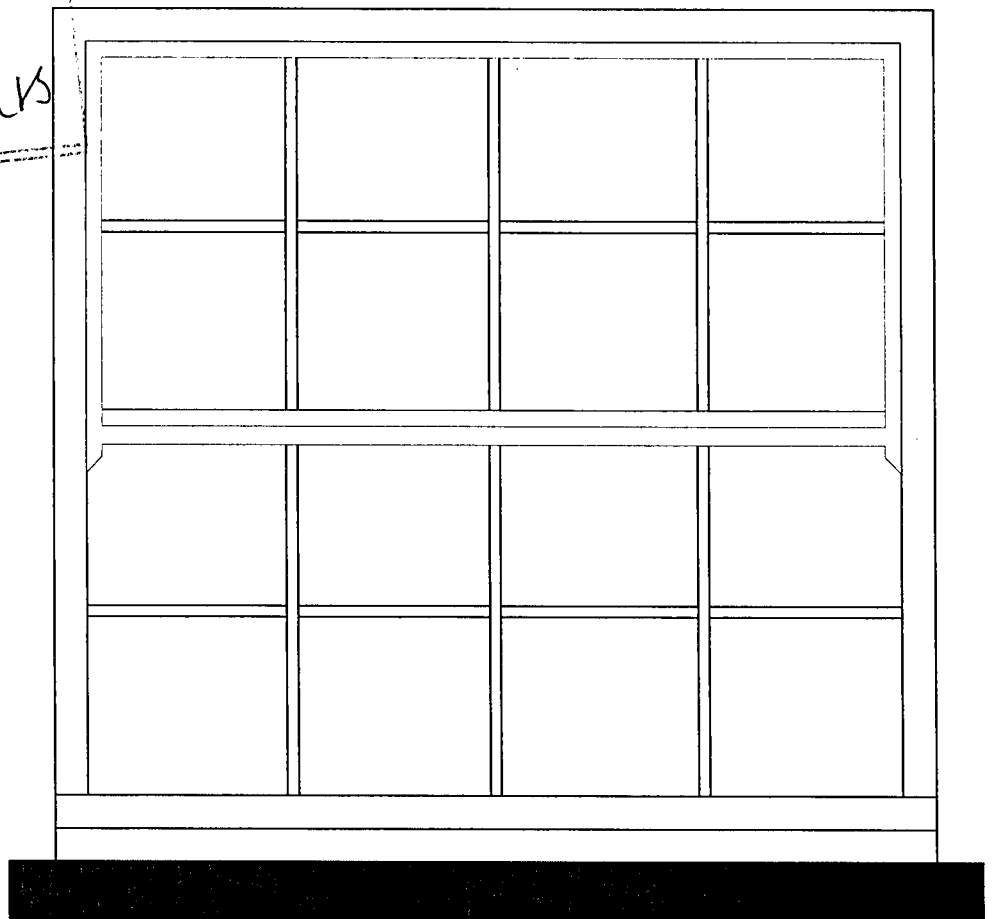
03 APR 2009  
No: 56/2009/565/LKS



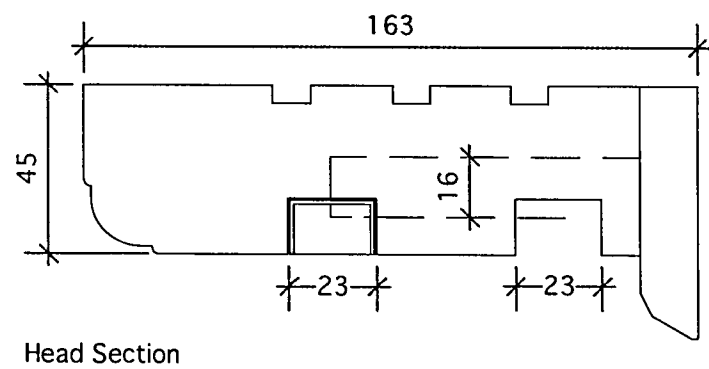
Top Sash  
Bottom Rail



Flush Cill

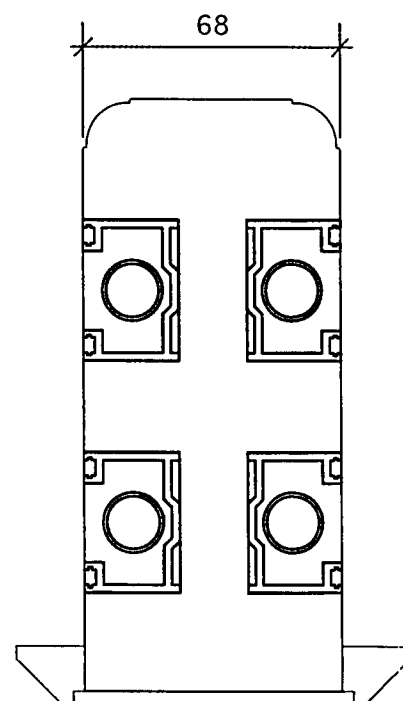


1:10 0 100 200 300 400 500 mm A3

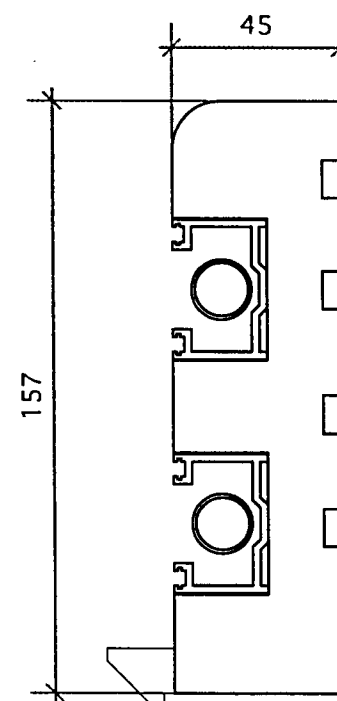


Head Section

green painted stone cill  
to match existing fenestration  
detailing



Mullion Section



Jamb Section

0 20 40 60 80 100 mm  
1:2 (A3)

John Dickie Associates  
Manor Barn,  
Wilsthorpe, Stamford,  
Lincs Pe9 4pe

Tel 01778 560811  
Fax 01778 561167

Proposed Alterations and Extensions to  
The Coach House at  
Mymwood House, Shepherds Way,  
Brookmans Park, AL9 6NN

Drawing Title : Joinery Detailing

Client : Harrington Care

Date January 2009

Scales 1 to 2 & 1 to 10 @ A3

Drawing No JDA/0/9175/PL.006