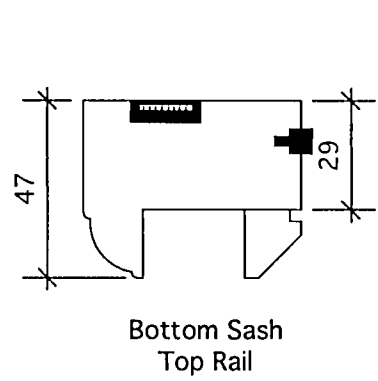
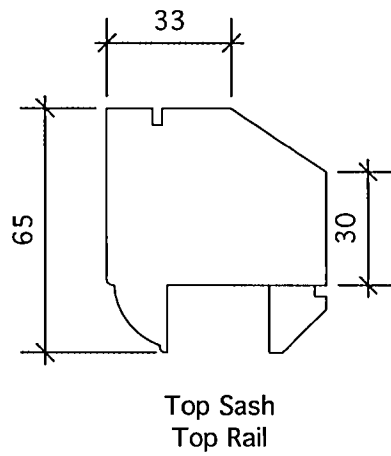


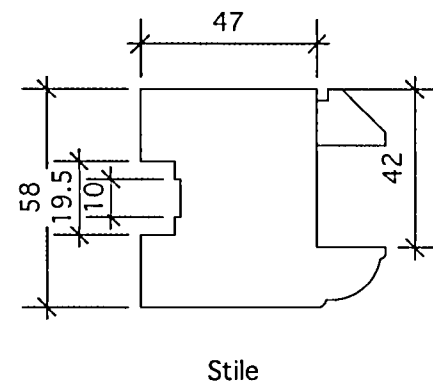
PLANNING APPLICATION DRAWING



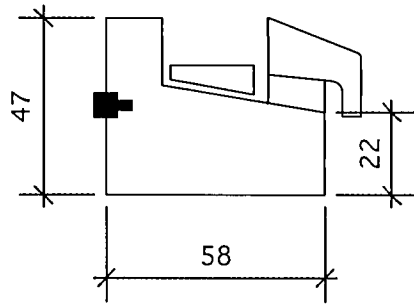
Bottom Sash
Top Rail



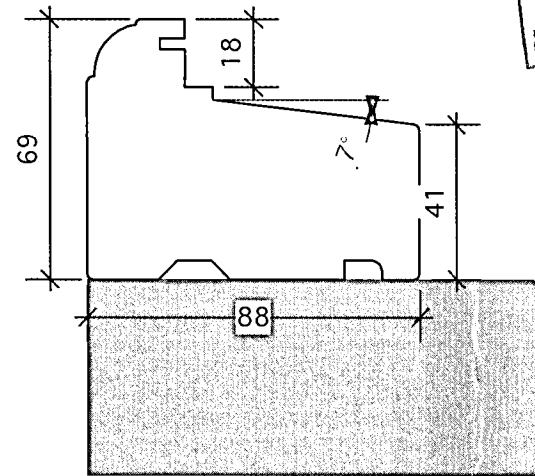
Top Sash
Top Rail



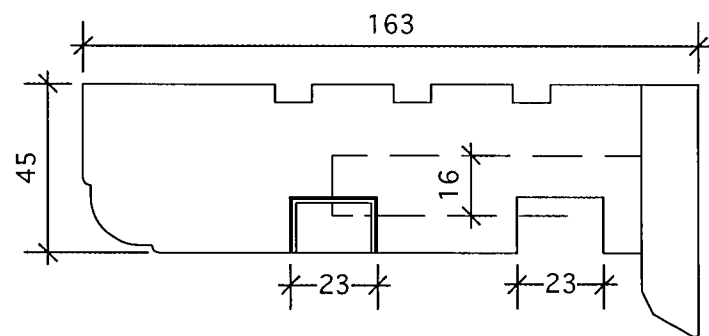
Stile



Top Sash
Bottom Rail

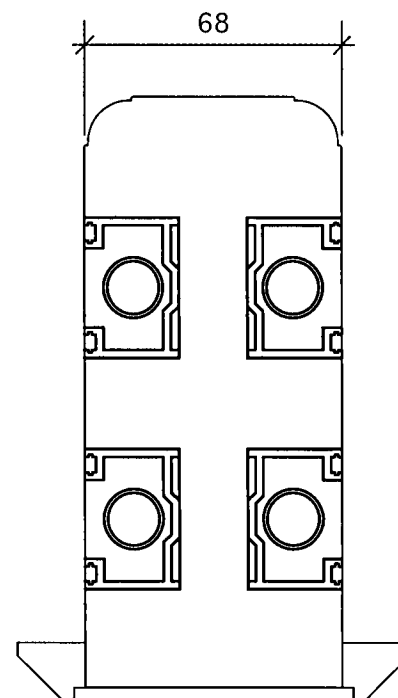


Flush Cill

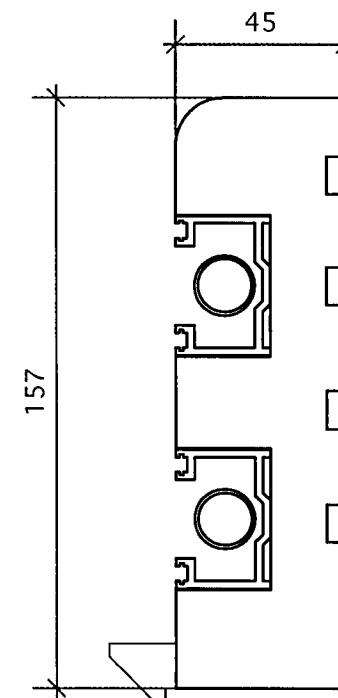


Head Section

green painted stone cill
to match existing fenestration
detailing

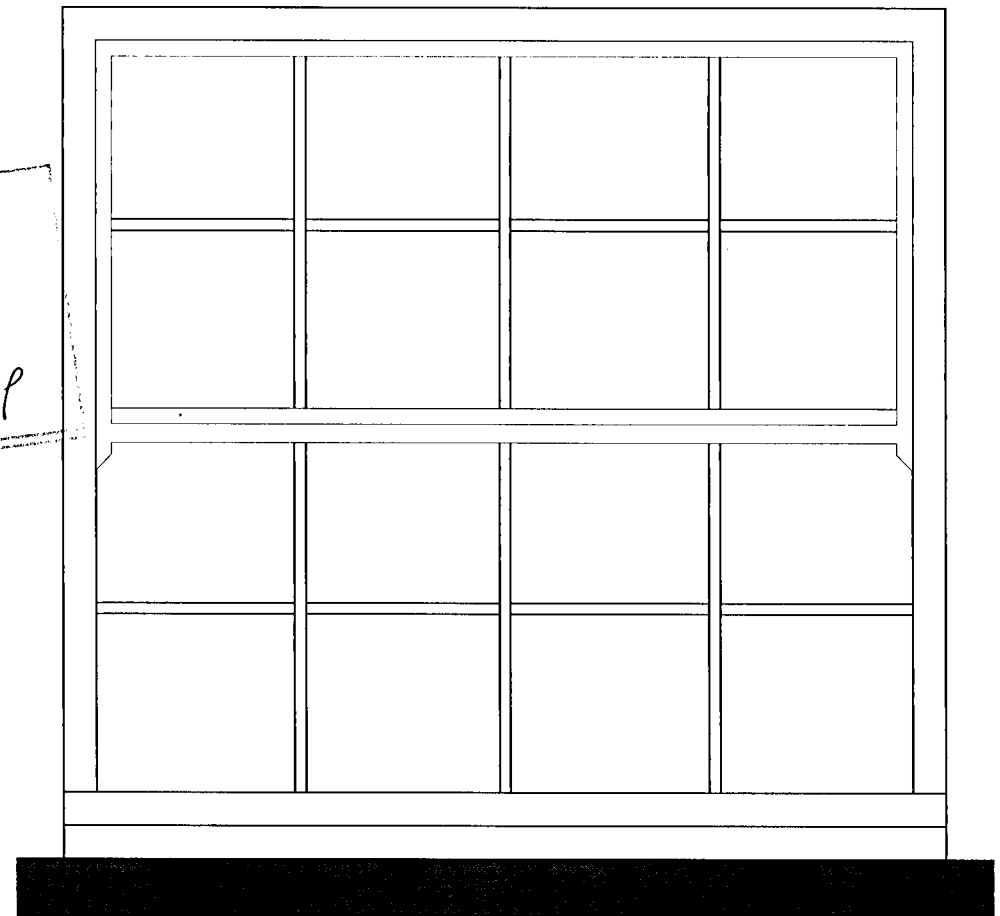


Mullion Section



Jamb Section

FIELD
NO LONG
COPY
03 APR 2009
No 56/2009/65/EP



John Dickie Associates
Manor Barn,
Wilthorpe, Stamford,
Lincs Pe9 4pe

Tel 01778 560811
Fax 01778 561167

Proposed Alterations and Extensions to
The Coach House at
Mymwood House, Shepherds Way,
Brookmans Park, AL9 6NN

Drawing Title : Joinery Detailing

Client : Harrington Care

Date January 2009

Scales 1 to 2 & 1 to 10

Drawing No JDA/0/9175/PL.006