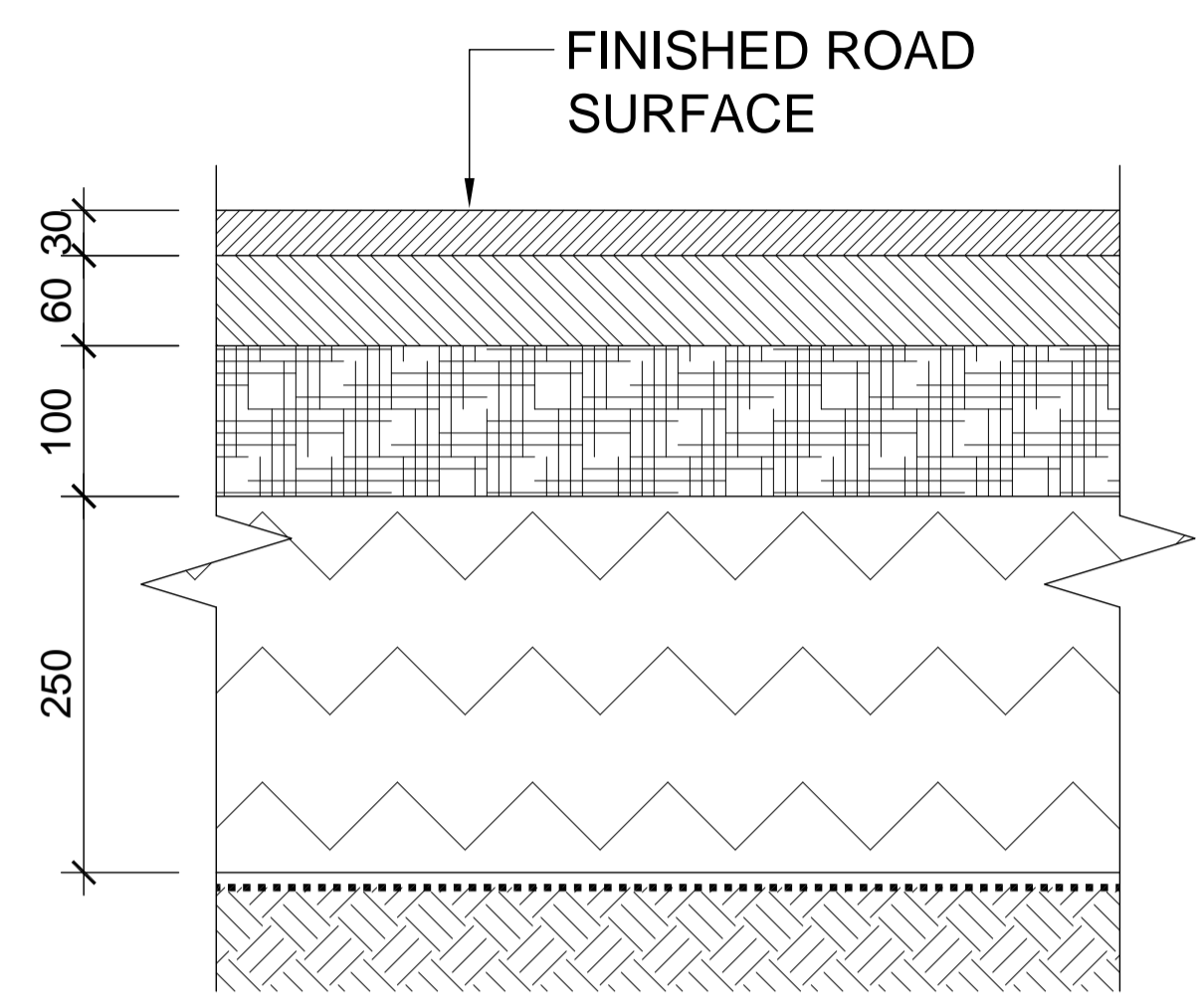
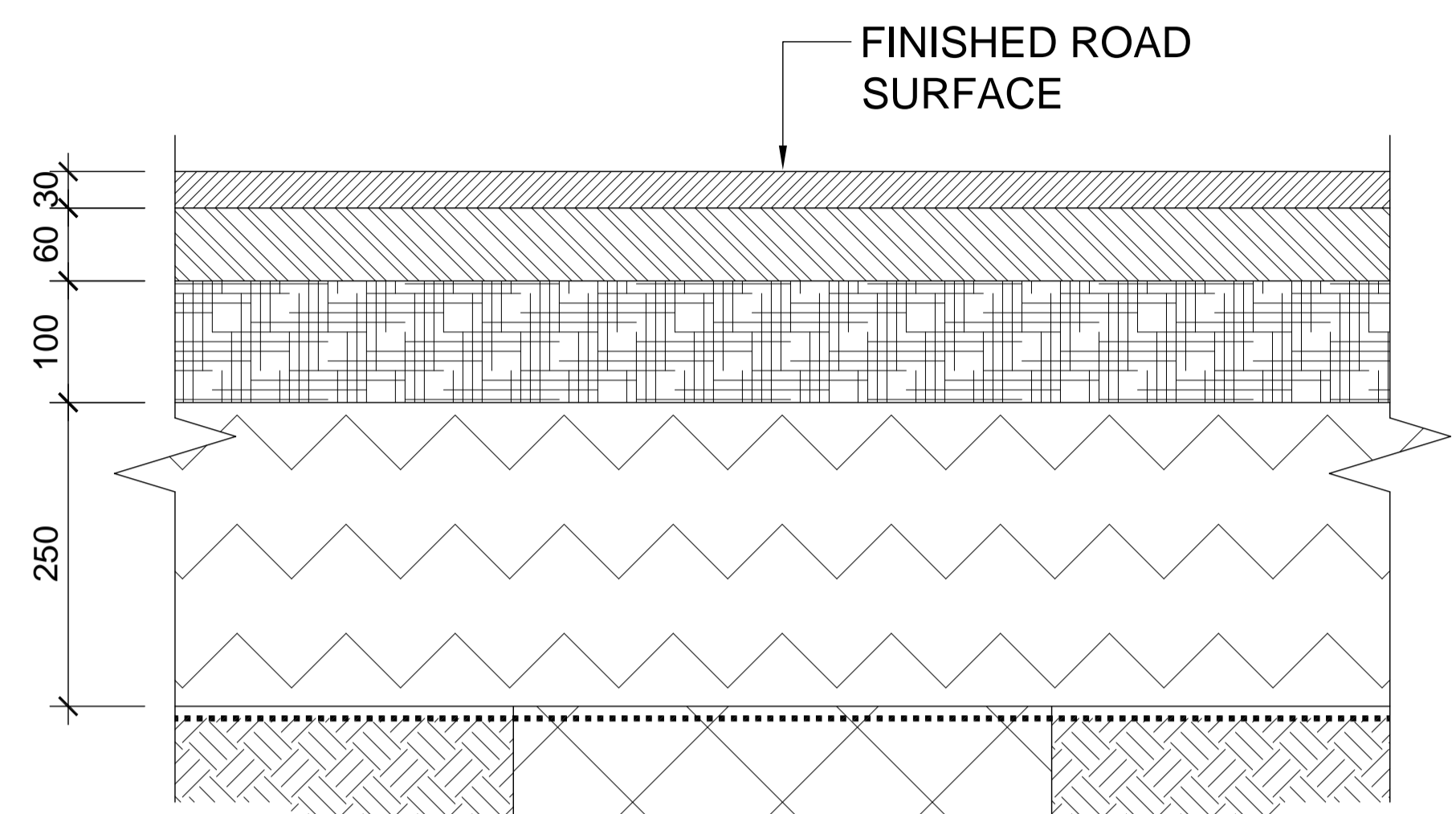
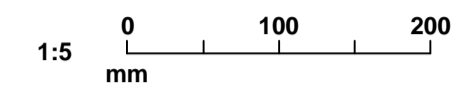


NOTES

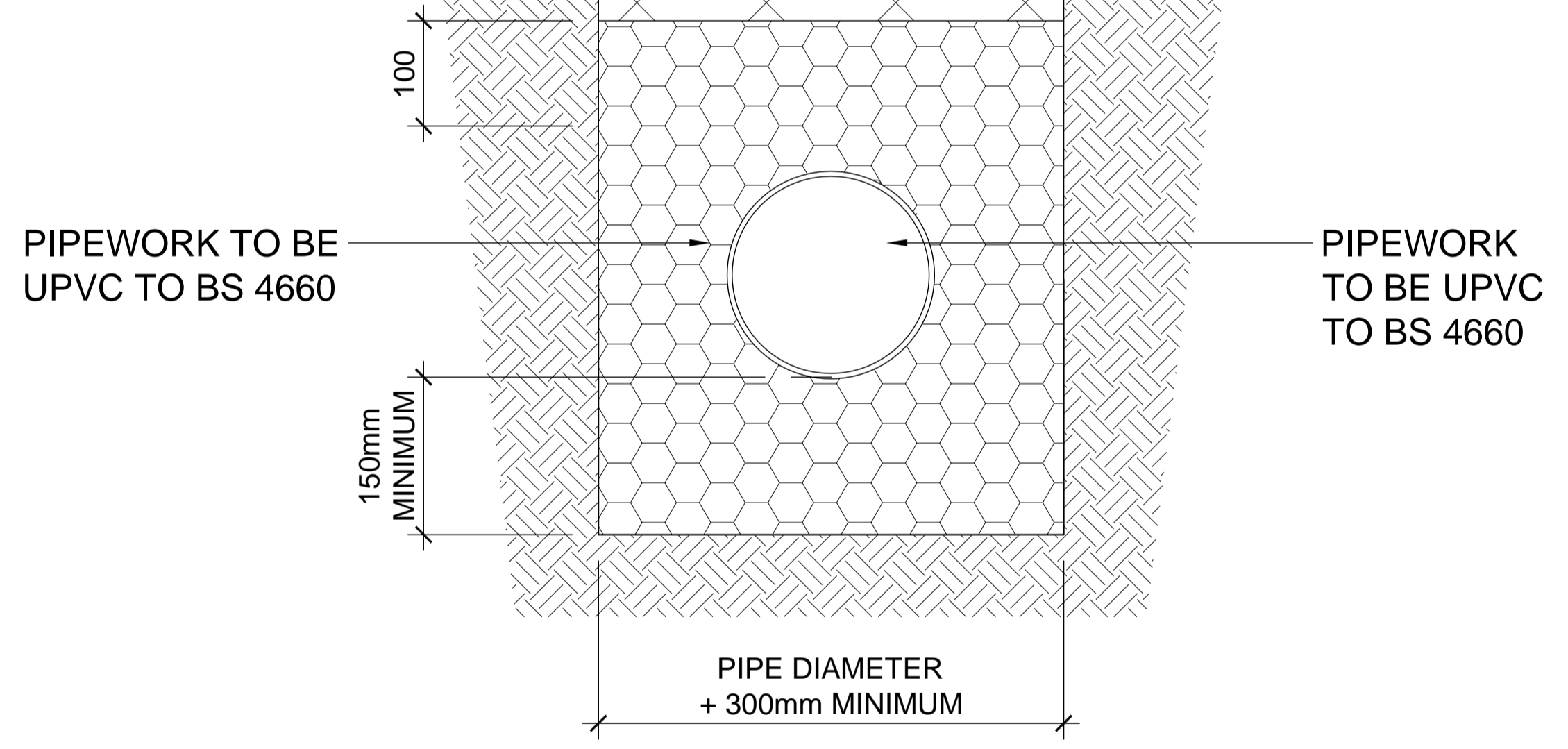
DO NOT SCALE FROM THIS DRAWING. VERIFY ALL DIMENSIONS AND SETTING OUT ON SITE. NOTIFY ANY DISCREPANCIES TO THE ARCHITECT. FOR STRUCTURAL INFORMATION, REFER TO STRUCTURAL ENGINEER'S DRAWINGS. FOR M&E INFORMATION, REFER TO M&E ENGINEER'S AND SUB-CONTRACTOR'S DRAWINGS. FOR HEALTH & SAFETY INFORMATION, REFER TO HEALTH & SAFETY RISK ASSESSMENTS.

SERVICES LOCATIONS INDICATIVE. LOCATIONS TBC ON SITE.

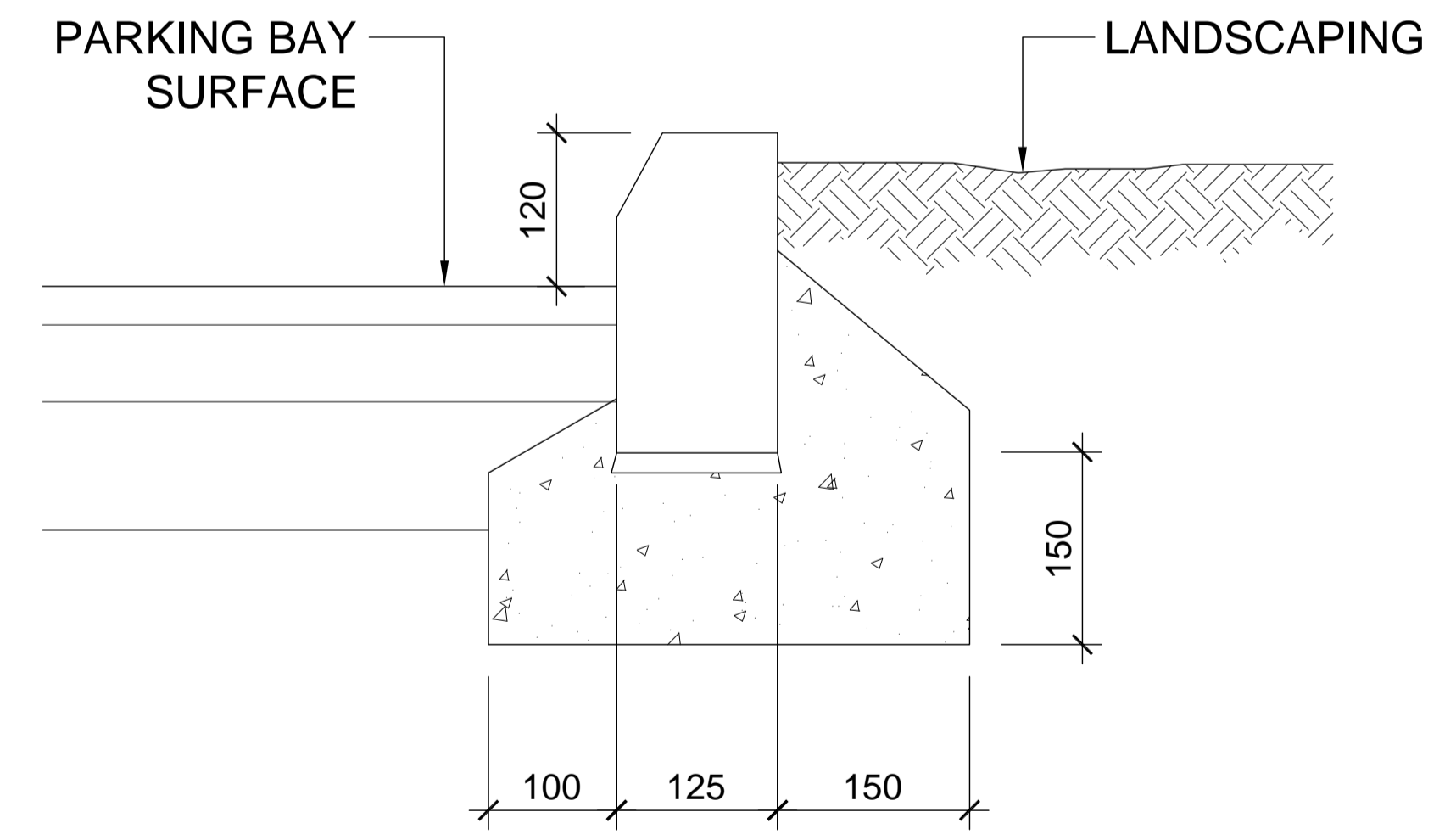


1. Surface Course 30mm - 10mm DBM to clause 7-5 BS 4987 Part 1 (2003).
2. Binder Course 60mm - 20mm DBM to clause 7-5 BS 4987 Part 1 (2003).
3. Road Base 100mm - 28mm DBM to clause 5-2 BS 4987 Part 1 (2003).
4. Sub-Base 250mm Type 1 granular material to clause 803 DTp specification.
5. Geotextile - 'Terram'.
6. Formation to be trimmed and compacted and dig out any soft spots and fill with type 1 granular material.

CAR PARK ROAD/BAY CONSTRUCTION
SCALE 1:5



BEDDING FOR DRAINS DETAIL
SCALE 1:5



TYPICAL KERB SECTION
SCALE 1:5

ISSUED BY: MPW CHECKED: DATE: 11/12/2017
INITIAL ISSUE

PLANNING

PLT DATE:

David Lloyd
CLUBS

CLIENT:

HATFIELD

PROJECT:

PROPOSED
CAR PARK EXTENSION
DETAILS

DRAWING: DATE:
DRAWN BY: MPW SCALE: 1:5@A1 DECD 2017

Hadfield Cawkwell Davidson

Broomgrove Lodge, 13 Broomgrove Rd, Sheffield, S10 2LZ T 0114 266 8181 www.hcd.co.uk

Architecture | Engineering | Interior Design | Masterplanning | Urban Design

JOB NO: 2016-318 | DRAWING NO: A-90-002 | REV: *
S:\Architecture\2016-318\Drawings\DR - Plansheets\A-90-002_Proposed Car Park Details.dwg HCD