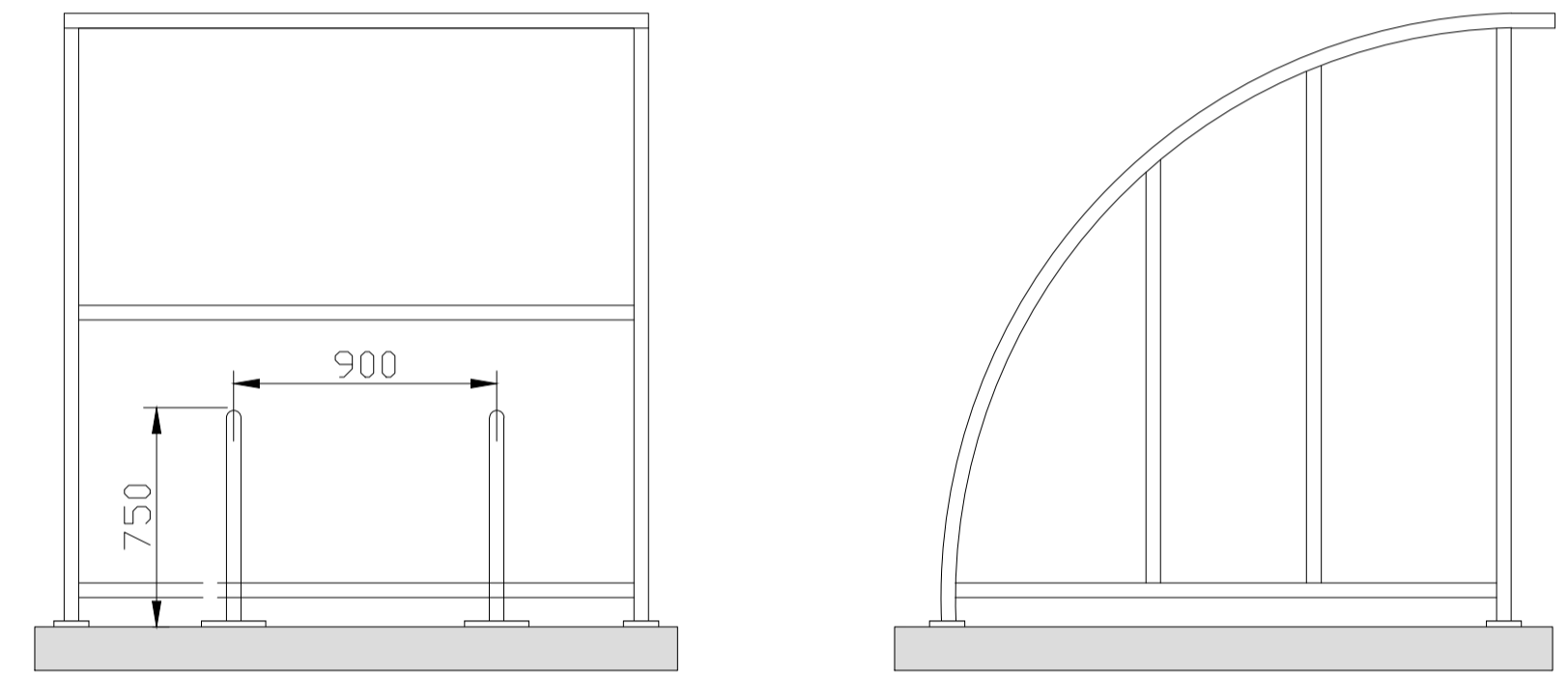


Proposed Cycle Store Plan
Scale 1:25 @A1



Proposed Cycle Store Elevation
Scale 1:25 @A1

MANUFACTURER : BROXAP WARDALE CYCLE SHELTER OR EQUAL APPROVED

BROXAP
17 BAR LANE INDUSTRIAL PARK
BAR LANE
NOTTINGHAM
NG6 0JA
TEL: 0844 800 4085
EMAIL: web.sales@broxap.com

FRAME: HOT DIPPED GALVANISED COMPONENTS
PAINTED DARK GREEN

FINISH: POLYCARBONATE IMPACT RESISTANT SHEET

FOUNDATIONS: TO BE AGREED ON SITE
DEPENDING ON SITE CONDITIONS.

Cycle Parking with Shelter

(2No. Rails - 4 Spaces)

Rev	Date	Revision Description	Drawn By	Approved By
A	23/05/23	Cycle store moved on to hard standing area	ES	JB
-	20/07/21	Original Drawing	ES	JB

ADG ARCHITECTS
6 Pioneer Court, Darlington, DL1 4WD
t: 01325 464 111
e: studio@adgarchitects.co.uk
w: www.adgarchitects.co.uk

Client: **Simply Group**

Project Information
Proposed 81 Bed Care Home (20sqm Bedrooms)
Land adjacent to Porsche Garage, Hatfield Avenue, Hatfield

Drawing Title
Proposed Cycle Store Details No.2

A1 Scale	1:25 / 1:200	A3 Scale	1:50
Job Number	H.15.35	Drawing Number	(90-) 4
		Revision	A

Drawing Issue
PLANNING