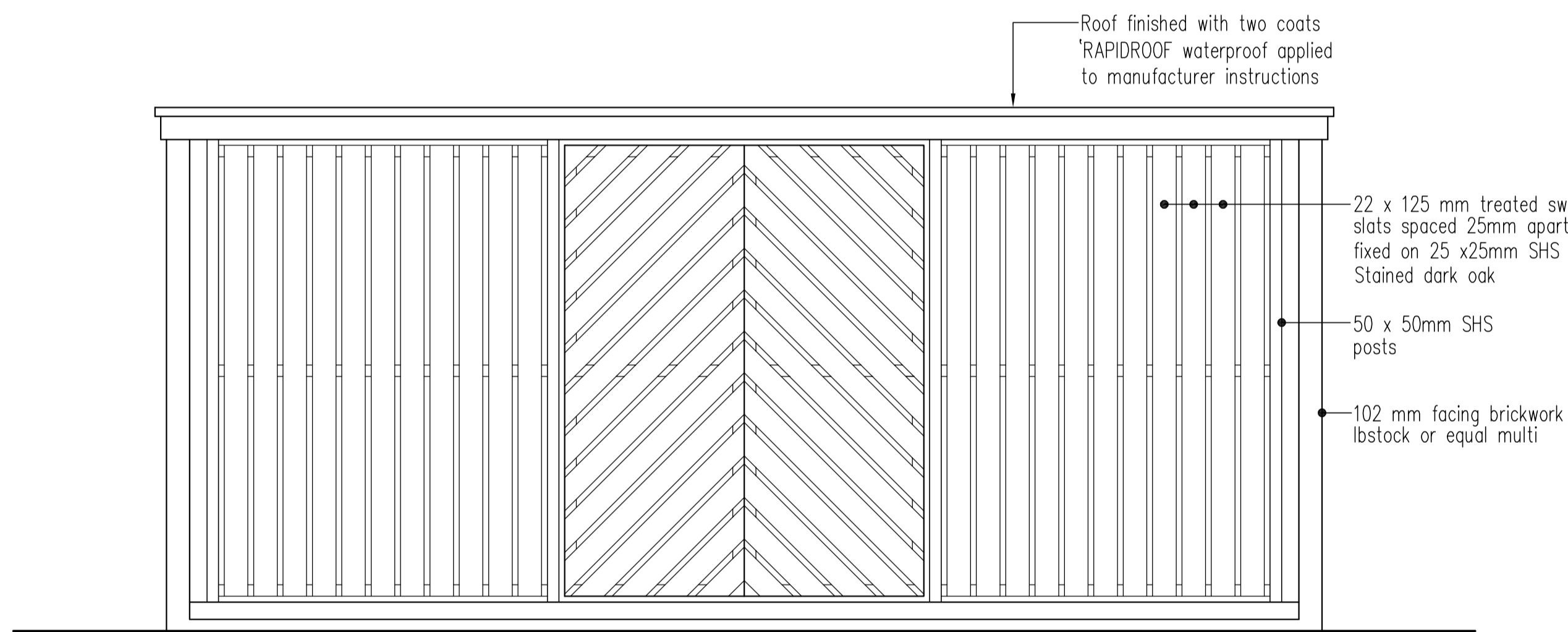


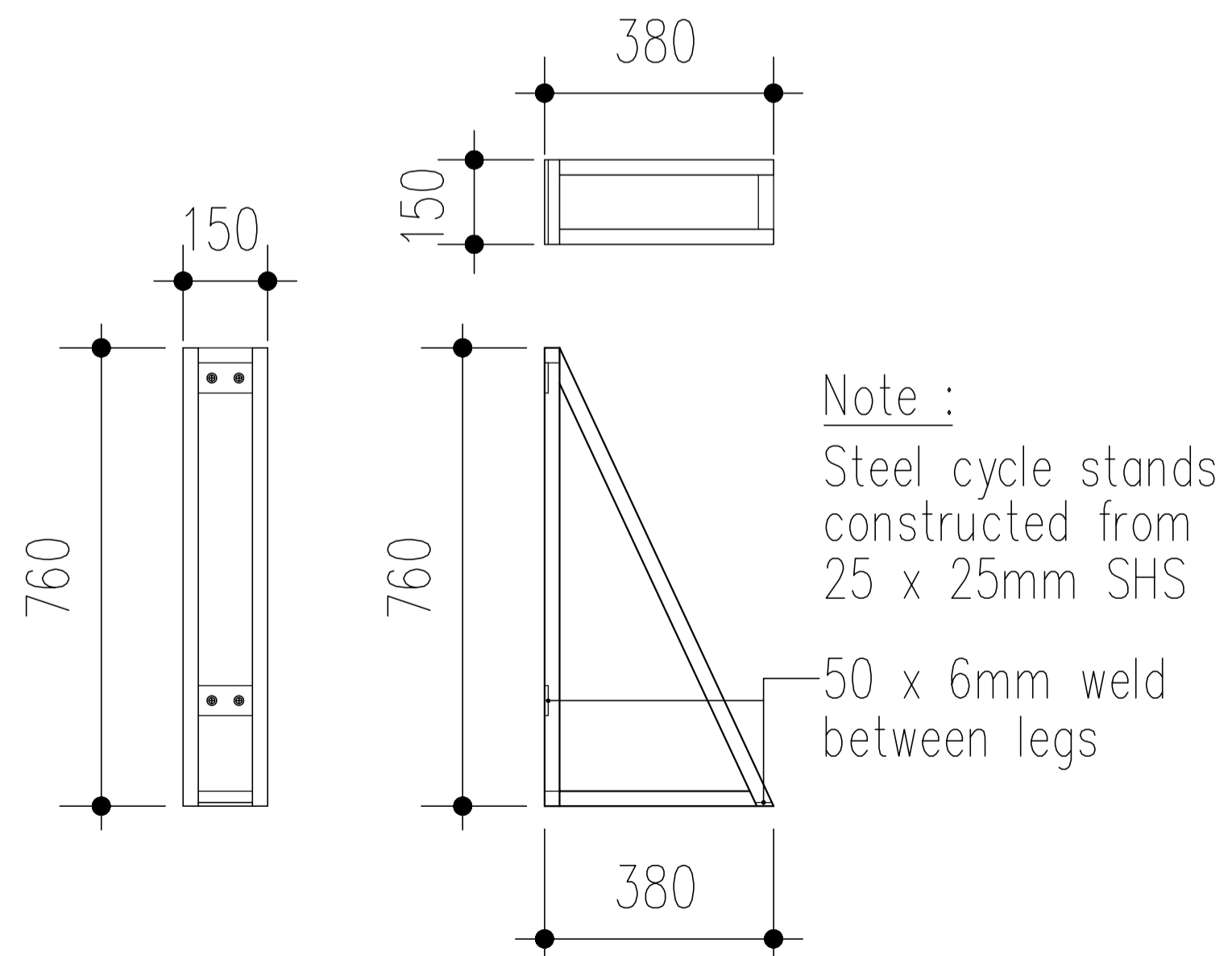
• **Proposed Cycle Store Plan**

Scale : 1 : 20



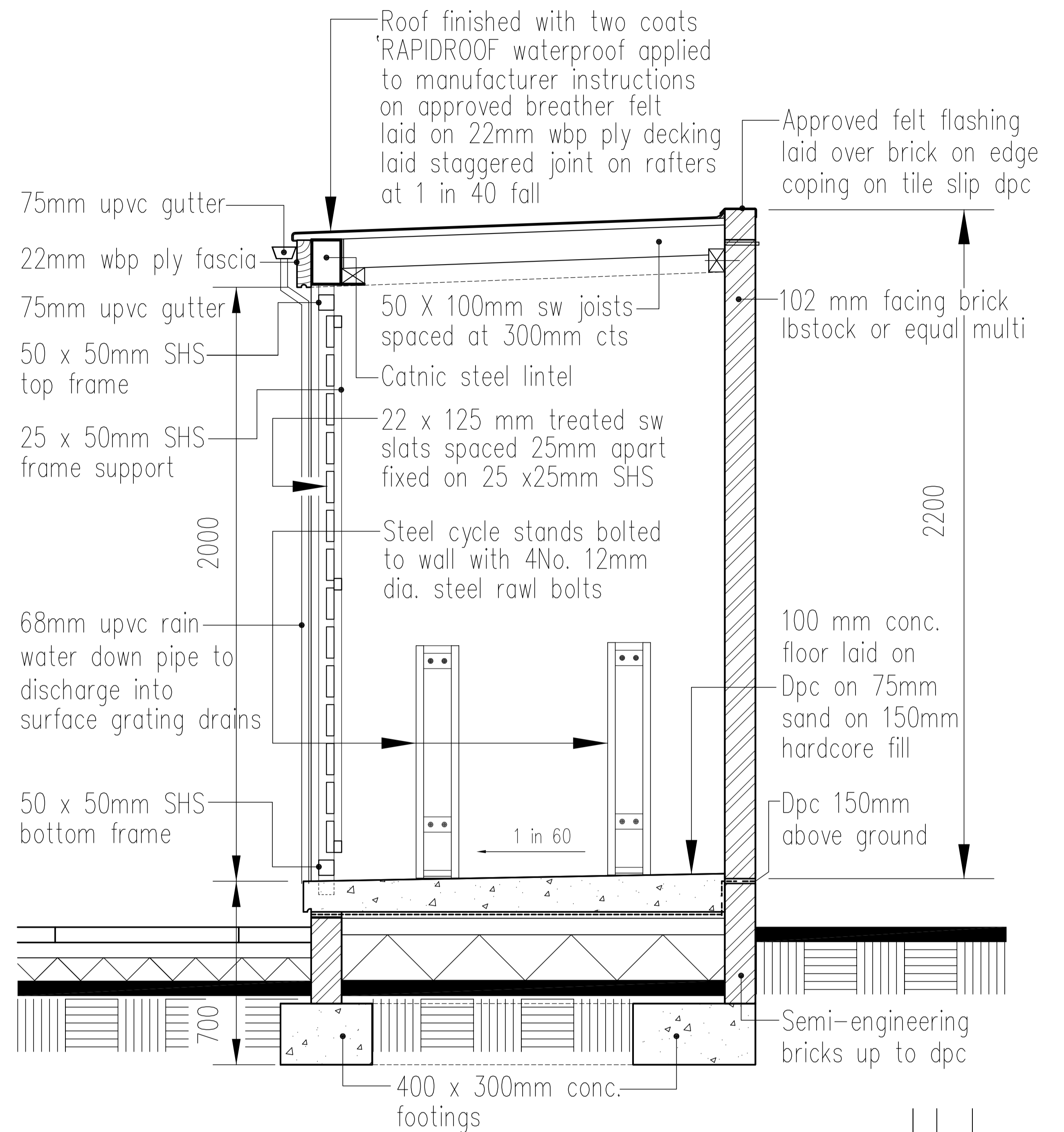
• **Proposed Front Elevation**

Scale : 1 : 20



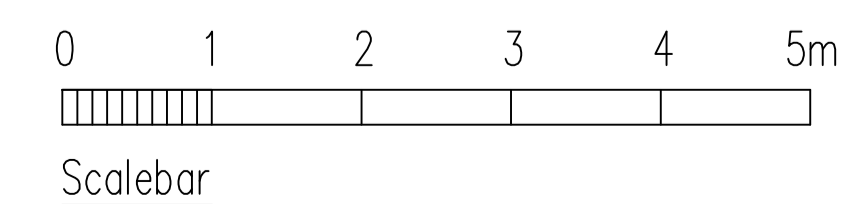
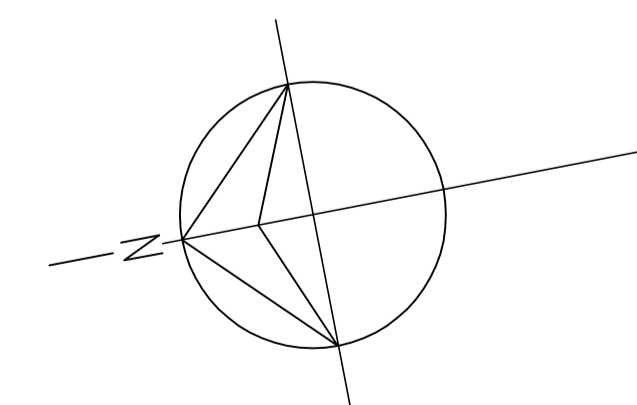
• **Cycle Support Stand Detail**

Scale : 1 : 10



• **Cross Section 'A - A'**

Scale : 1 : 10



| Rev. | Date | Description |
|---------------------------------------------------------------------------------------------------------------------------------------------------------------|---------------------------|-------------|
| | | |
| Collin L. Davis MCIQB Architectural Services Mob.: 07764408336 Tel/Fax: 0208 8458968 Email: cldv2003@yahoo.co.uk | | |
| Job Title PROPOSED INTERNAL ALTERATIONS FOR CHANGE OF USE FROM USE CLASS C3 TO USE CLASS SUI GENERIS (HMO) 8A HARPSFIELD BROADWAY HATFIELD AL10 9TF | | |
| Title PROPOSED CYCLE STORE DETAILS | | |
| Scale 1 : 20, 1 : 10 | Dwg No 8AHB/R03 | |
| Date JUNE 2017 | | |
| © Copyright. This drawing is not to be copied or reproduced without prior authorization | | |