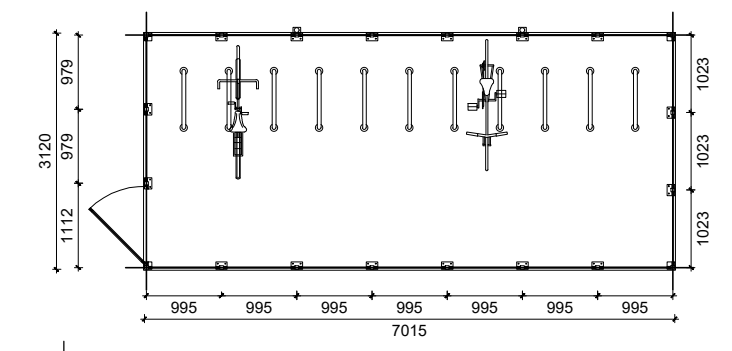
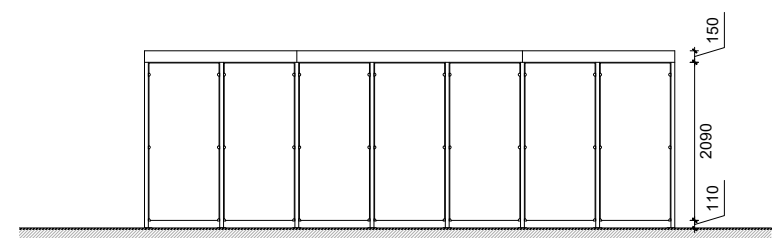


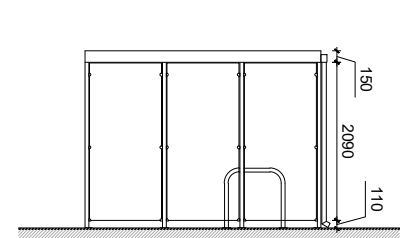
Cycle store 1



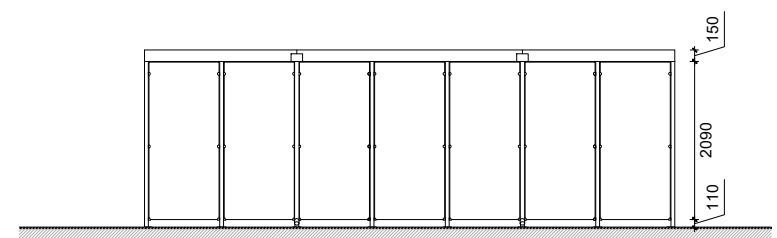
Proposed Plan



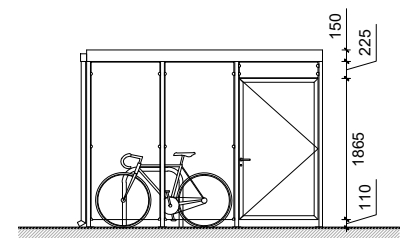
West Elevation



South Elevation

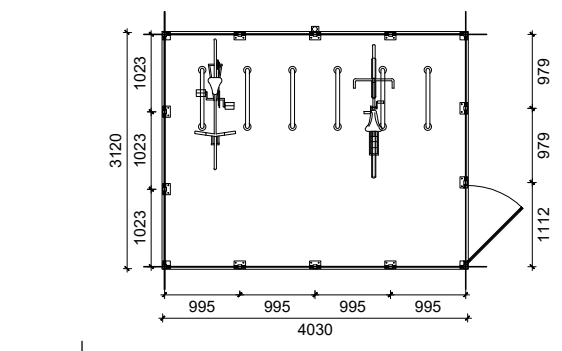


East Elevation

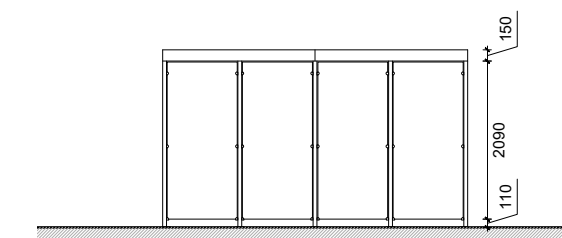


North Elevation

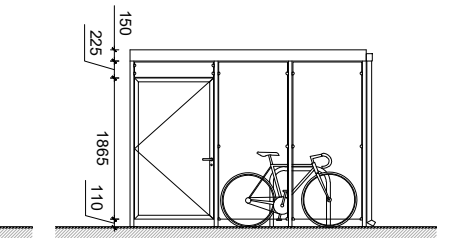
Cycle store 2



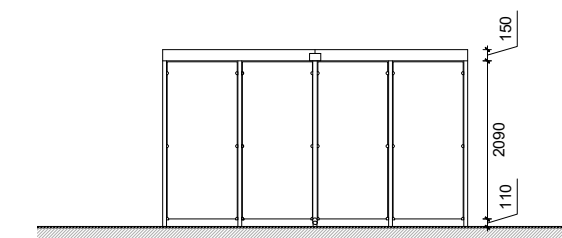
Proposed Plan



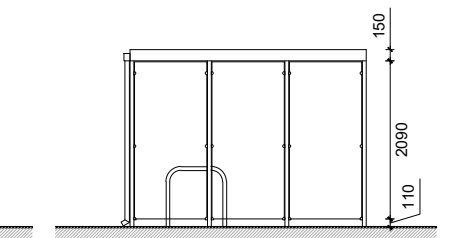
West Elevation



South Elevation

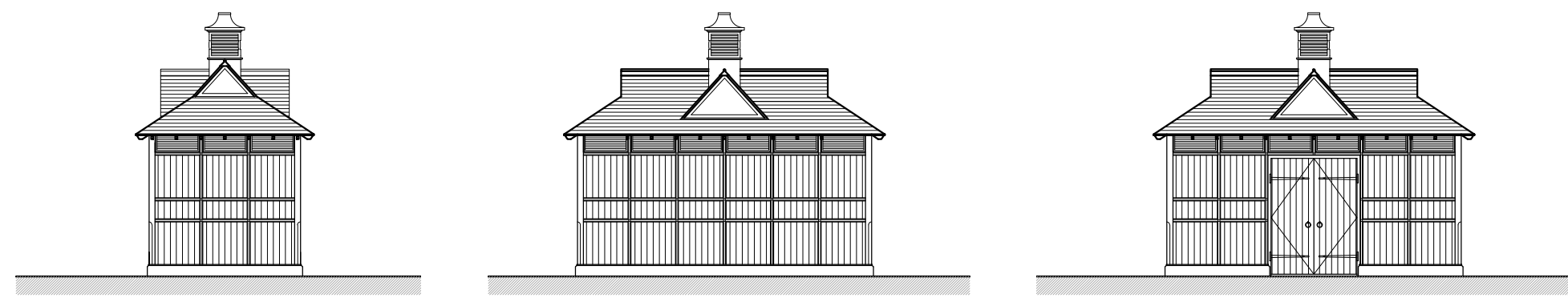


East Elevation



North Elevation

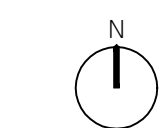
Bin stores A & B



Typical Elevations



Precedent Images



Brooks Murray Architects
The Arts Building, Morris Place, N4 3JG
+44 (0)2077399955 admin@brooksmurray.com

brooks murray

CLIENT: GASCOYNE ESTATES
JOB: SALISBURY SQUARE HATFIELD AL9 5AD
DRAWING TITLE: PROPOSED REFUGE AND CYCLE STORE
SCALE: 1:100 @ A2
DATE: NOVEMBER 2021
STATUS: PLANNING
DRAWING NUMBER: 789 - PL - 080
REV: FF
ISSUED BY: FF

