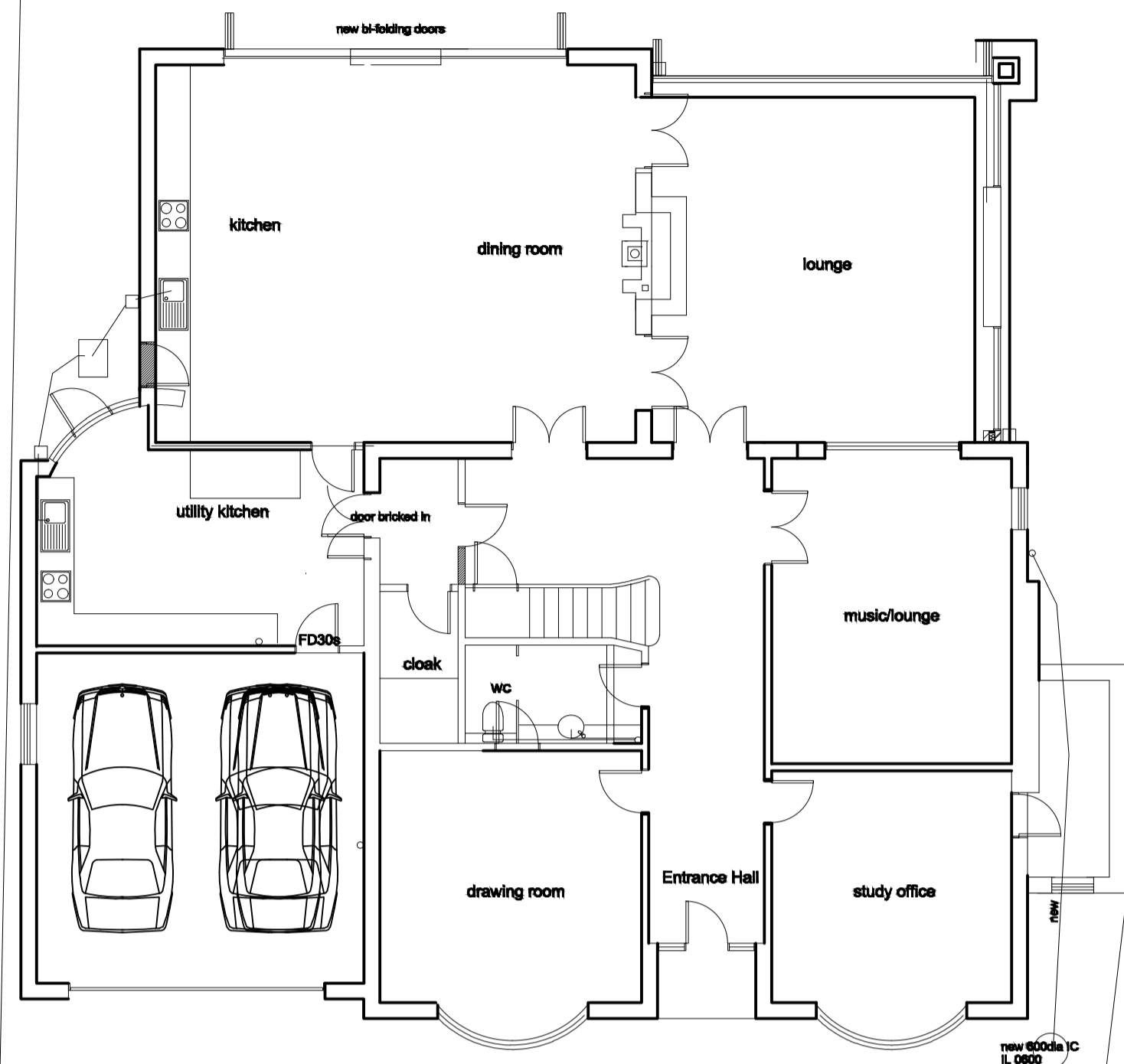


This confidential drawing and the copyright is the property of MD Designs and is neither to be copied in any way nor disclosed to any third party without the express and written consent of MD Designs. This drawing is to be read strictly together with the Specification and the Employer Requirement Schedule. Any conflict between the Specification and any drawings shall be referred to MD Designs for decision.

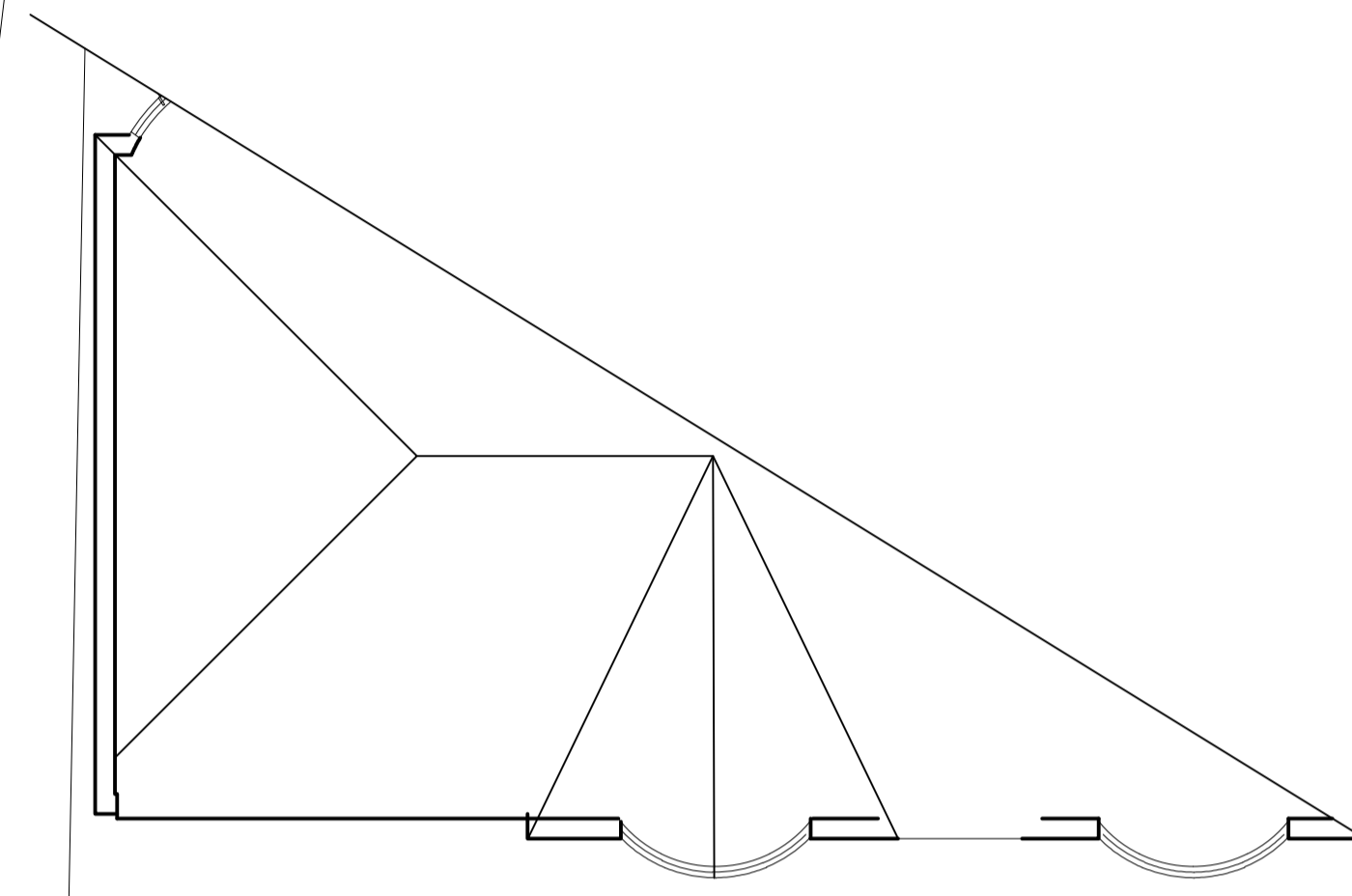
The Contractor, and all specialist Sub-contractors are to check all levels, dimensions and features on site prior to performing any element of work or installations. Any and all discrepancies are to be reported immediately to MD Designs for decision.

PLANNING & BUILDING CONTROL PERMISSION TO BE OBTAINED PRIOR TO COMMENCEMENT OF WORK ON SITE CLIENT & CONTRACTOR TAKE FULL RESPONSIBILITY FOR WORK COMMENCED PRIOR TO LOCAL AUTHORITY APPROVAL

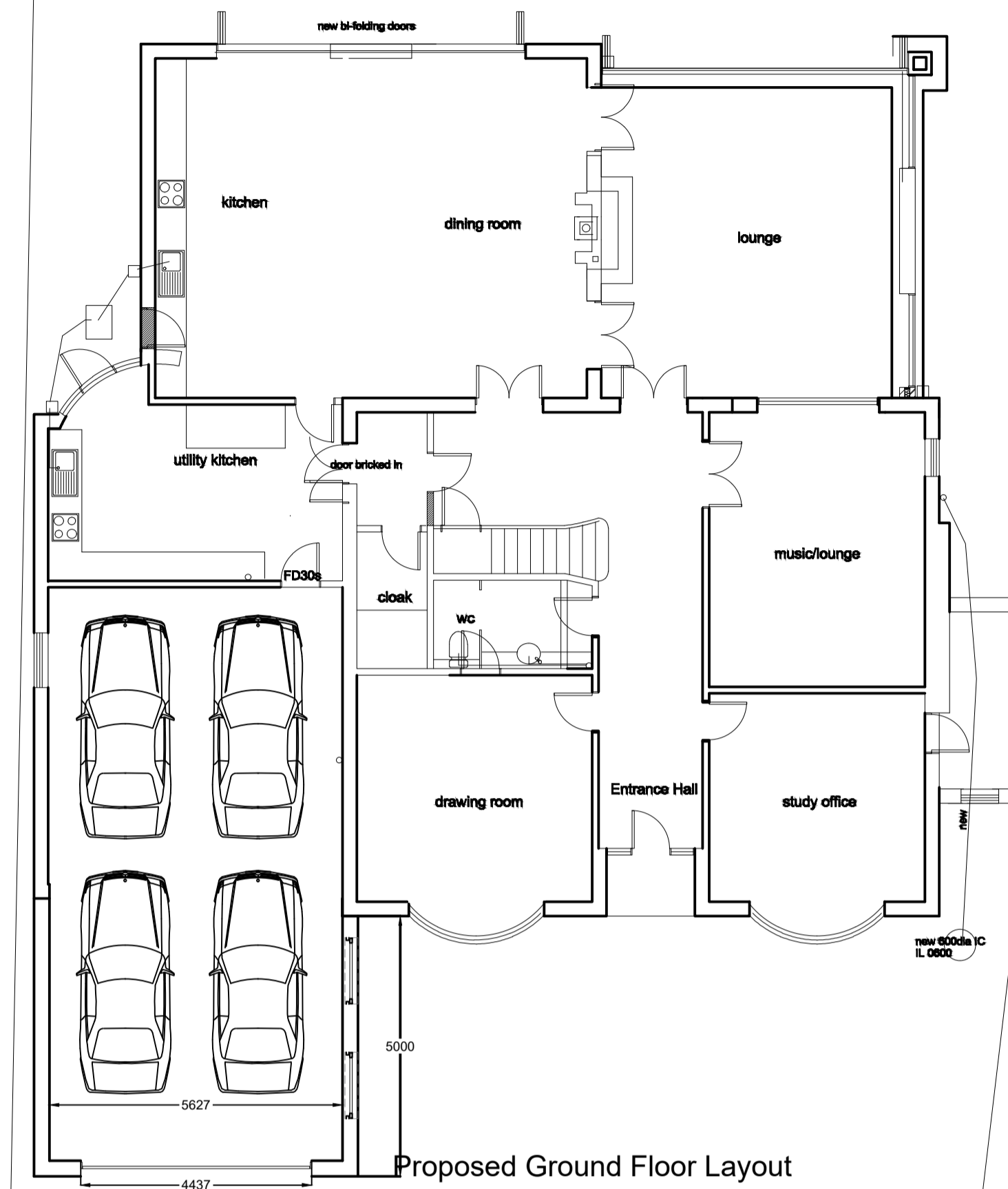
~~DO NOT SCALE FROM THIS DRAWING~~



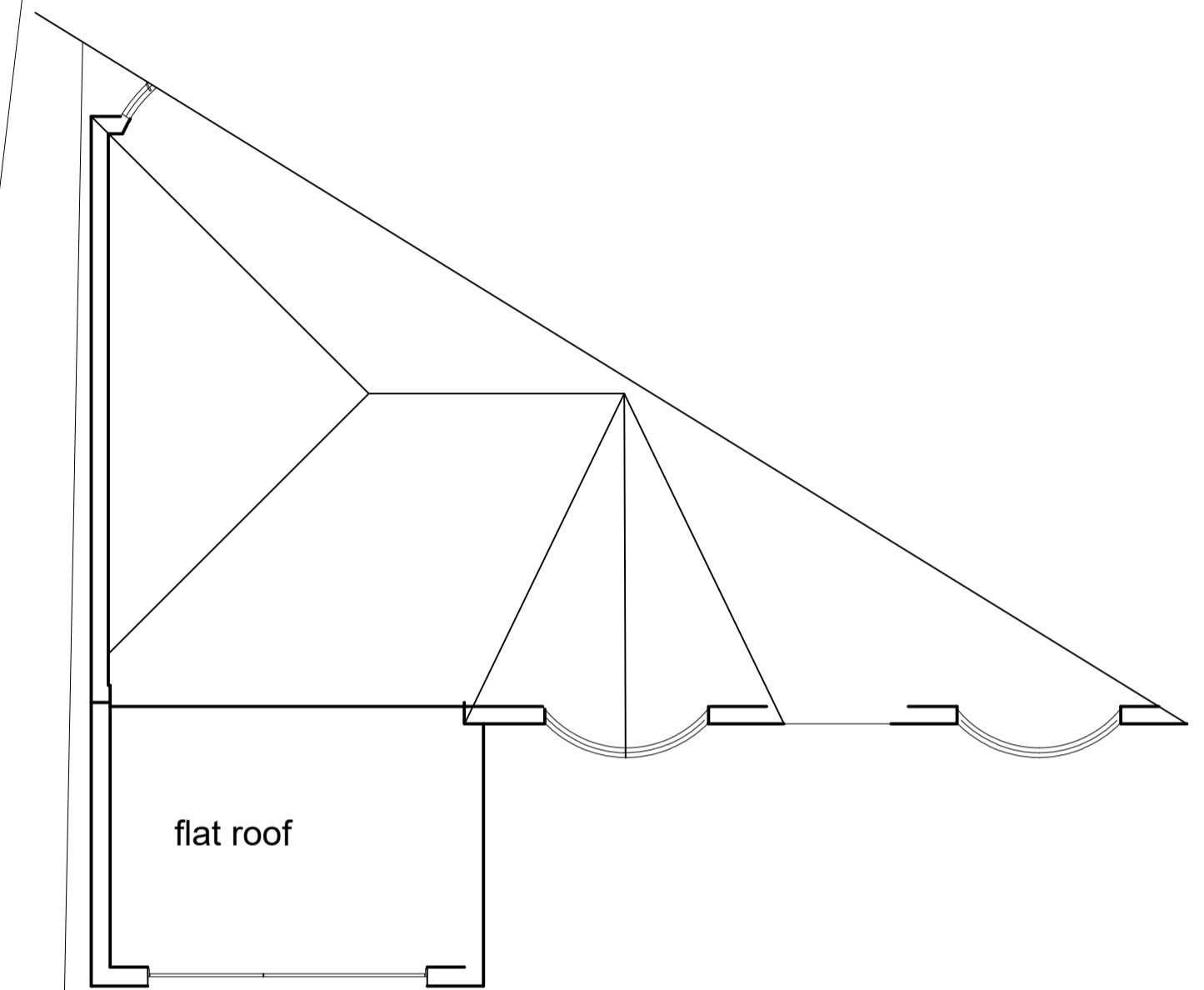
Existing Ground Floor Layout



Existing Part Roof Layout



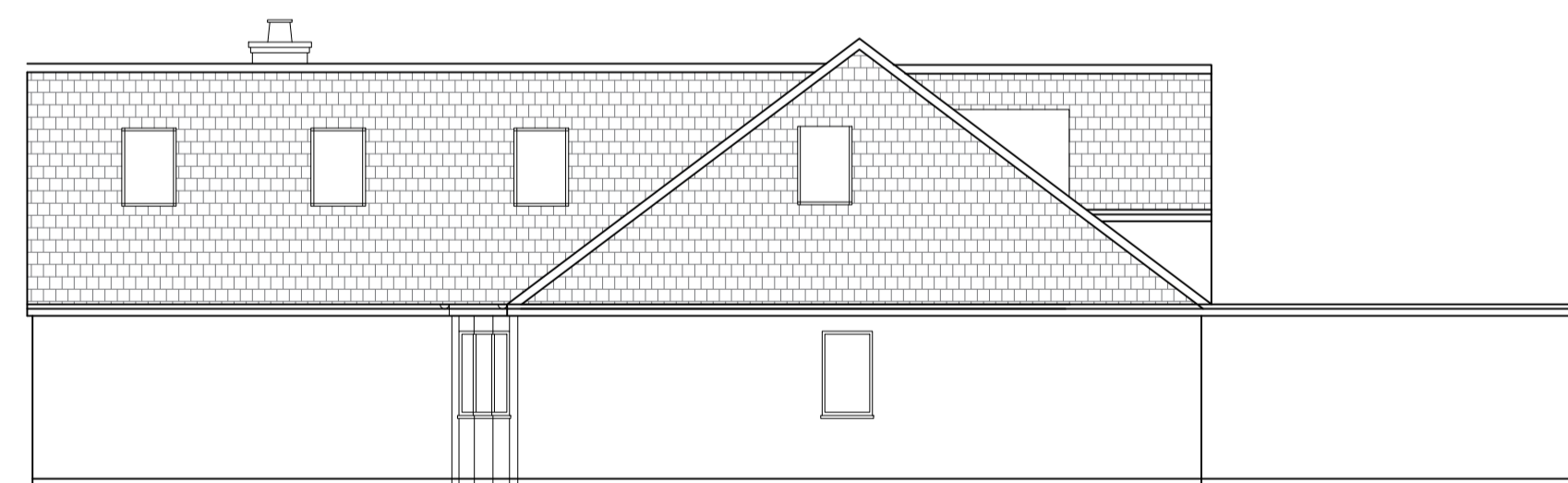
Proposed Ground Floor Layout



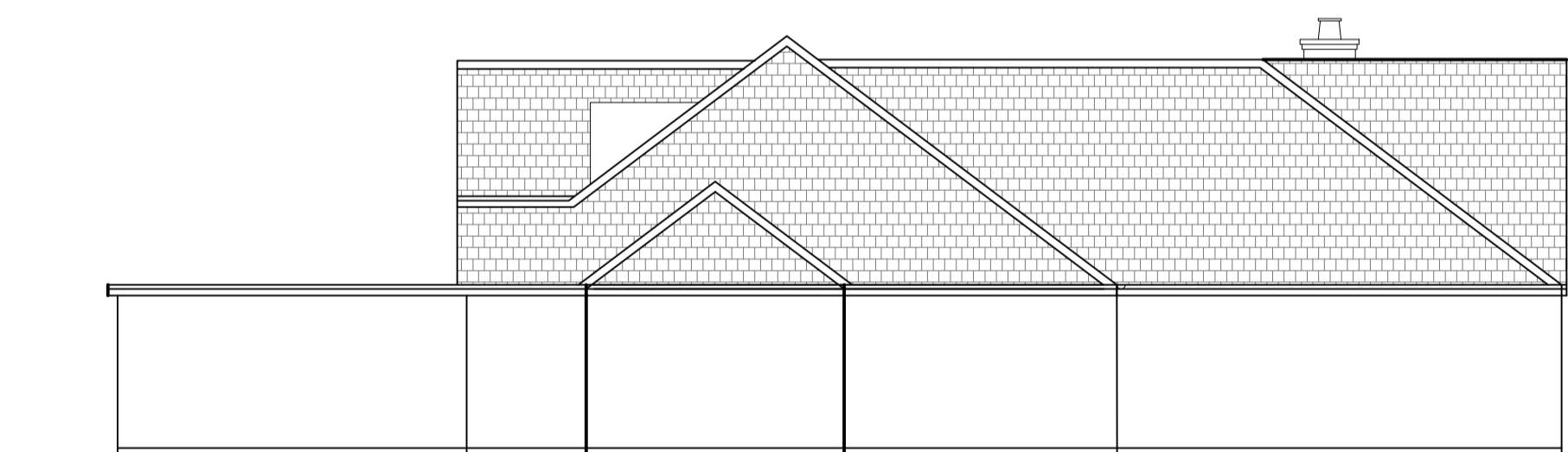
Proposed Part Roof Layout



Proposed Front Elevation



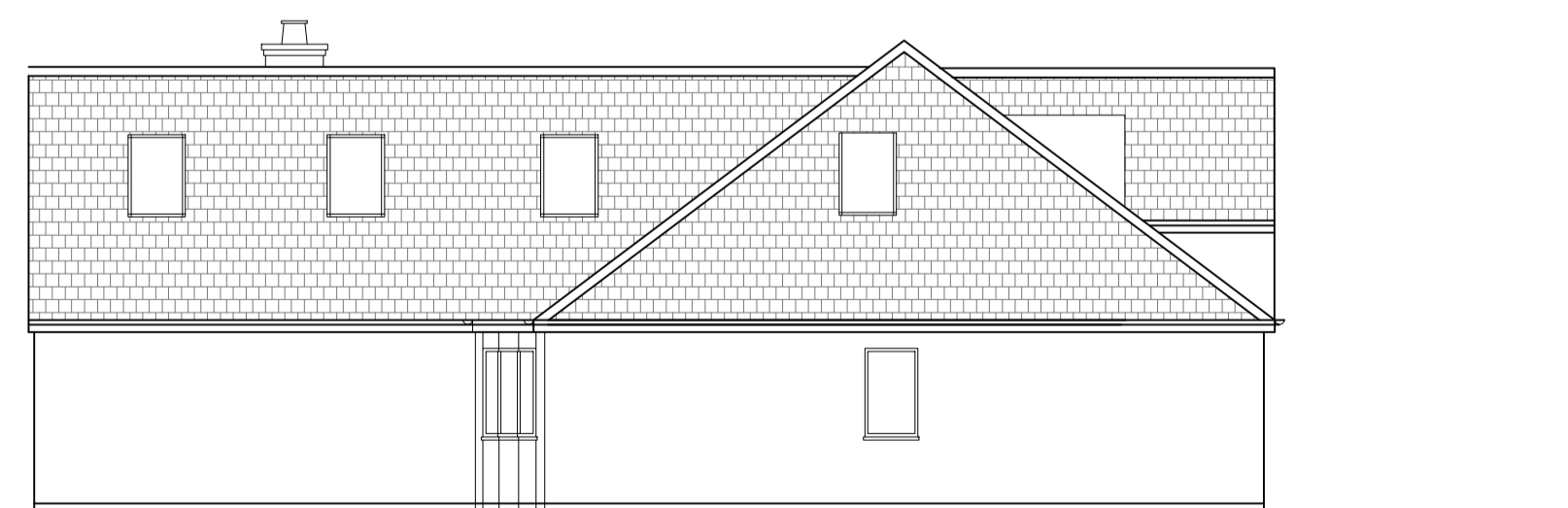
Proposed Side Elevation



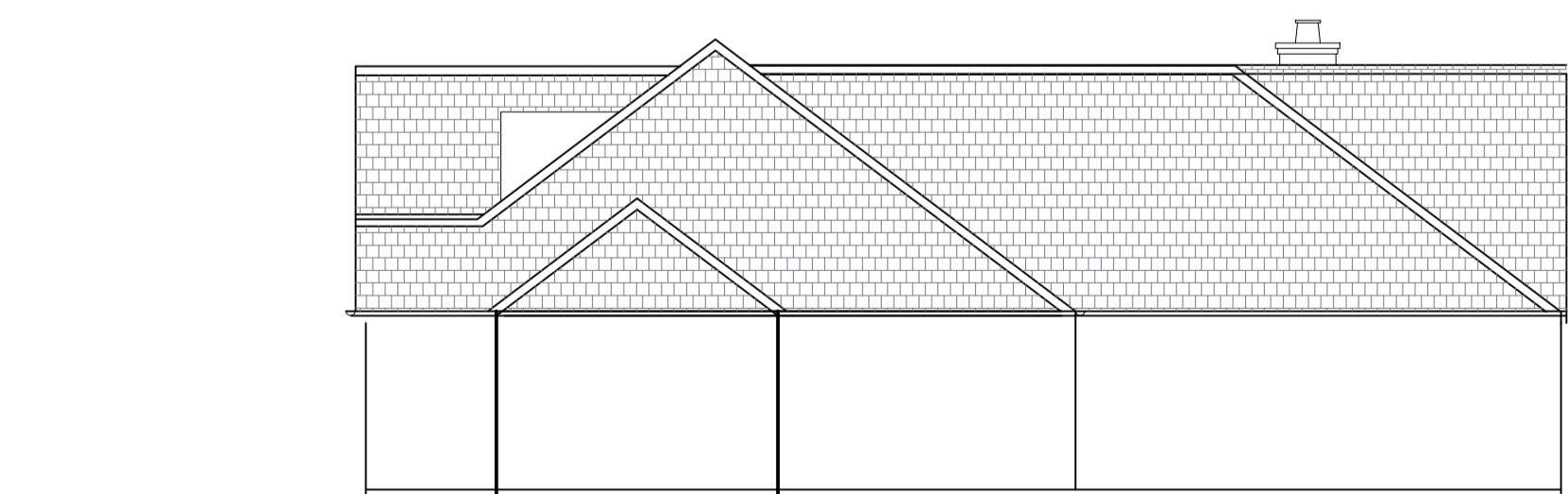
Proposed Side Elevation



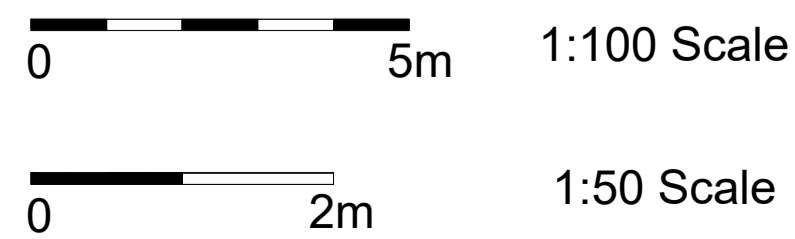
Existing Front Elevation



Existing Side Elevation



Existing Side Elevation



Where new work is on/near boundary line/party wall the property owner is to serve party wall notice to the adjoining property/land owner in accordance with the requirements of the 'Party Wall etc.' Act 1996.

CLIENT	Mr J Demetriou	Proposal	Proposed & Existing Elevations & Layouts
LOCATION	78 Bell Lane Brookmans Park AL9 7AY		

Date:	17 August 2022
Scale:	A1@1:100
Dwg:	76/2018 3
Drawn by:	md

Rev	Details	Date
<b>MD DESIGNS</b> UNIT 6-7 EAST LODGE VILLAGE, EAST LODGE LANE, ENFIELD, EN2 8AS 01992 630 520		