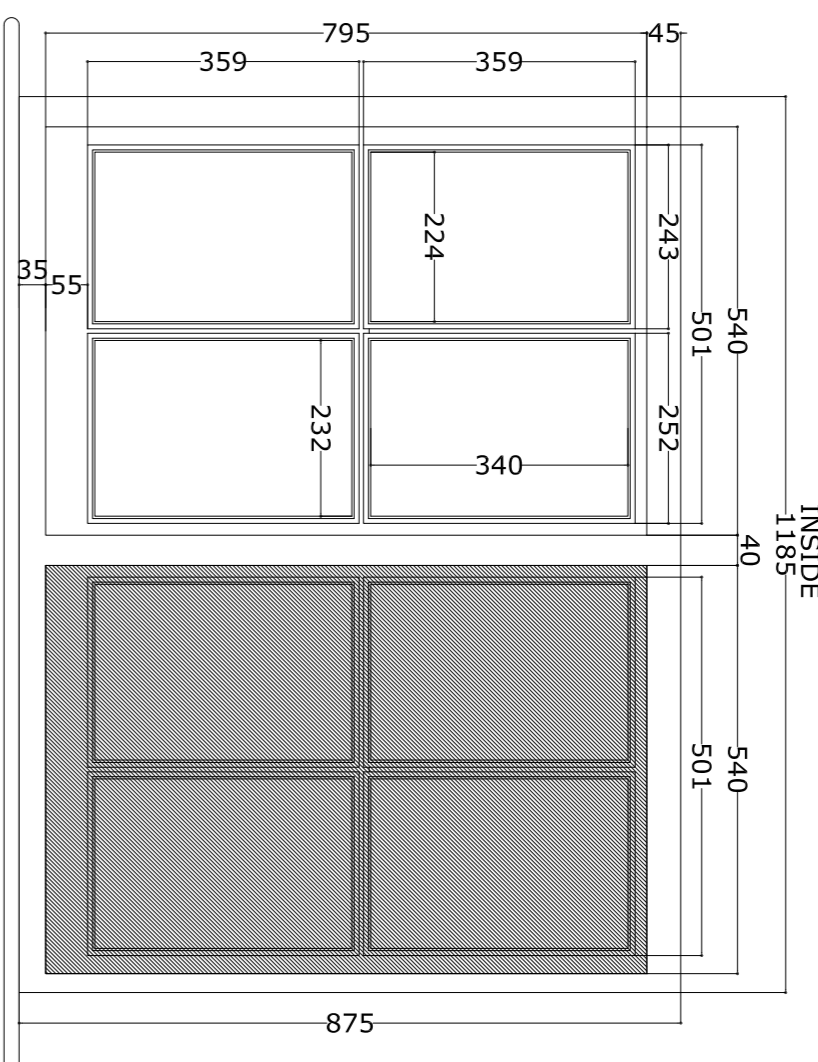
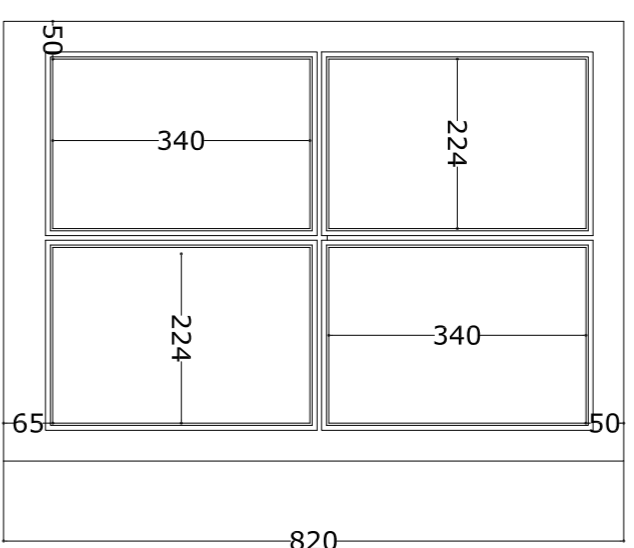


WINDOW	SIDE	FLOOR	TYPE
N.53	WEST	SECOND	SINGLE DOOR OPEN OUT FIXED LIGHT

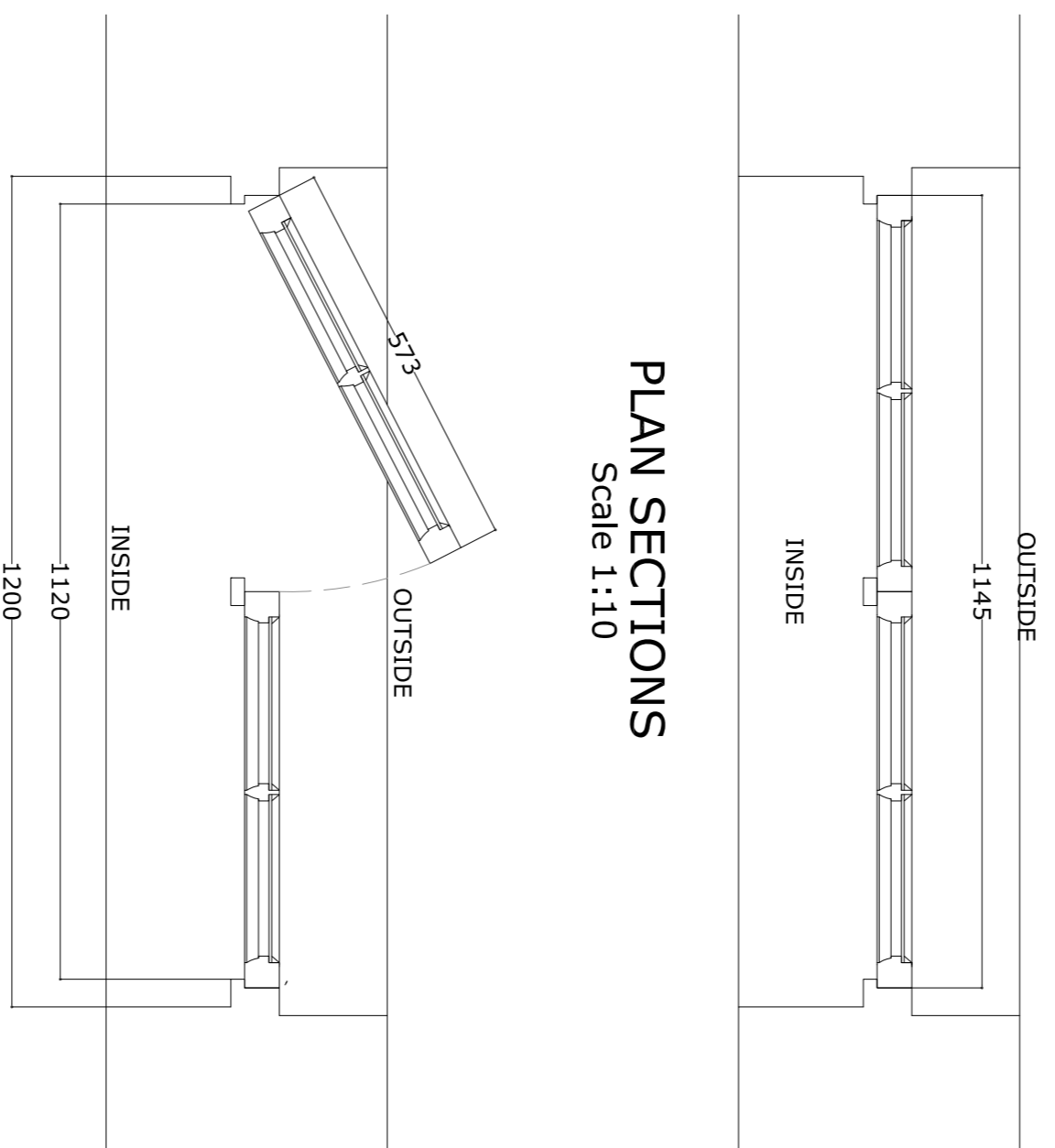
**INSIDE LININGS ELEVATION**



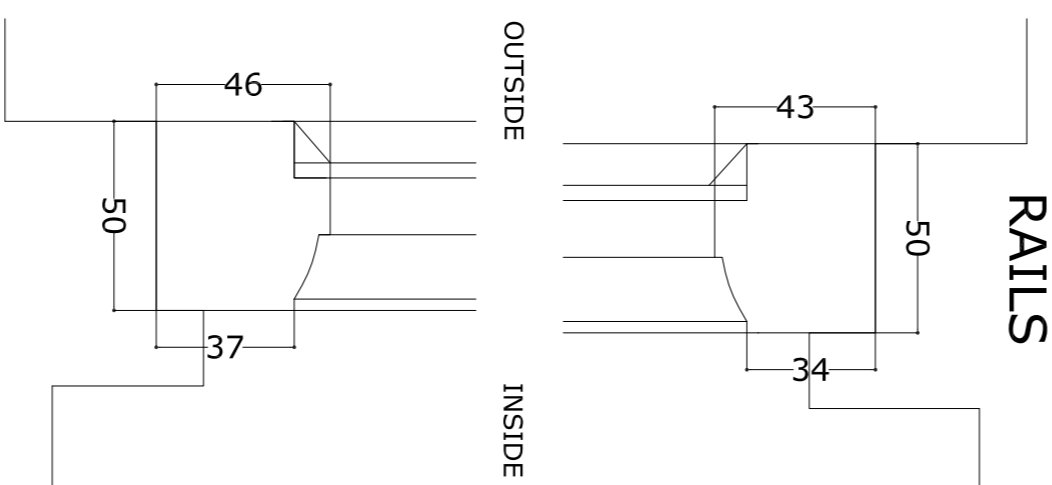
**OPENING WINDOW**



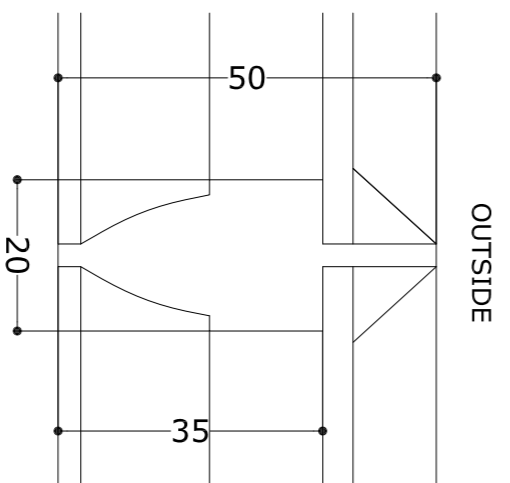
**PLAN SECTIONS**  
Scale 1:1:0



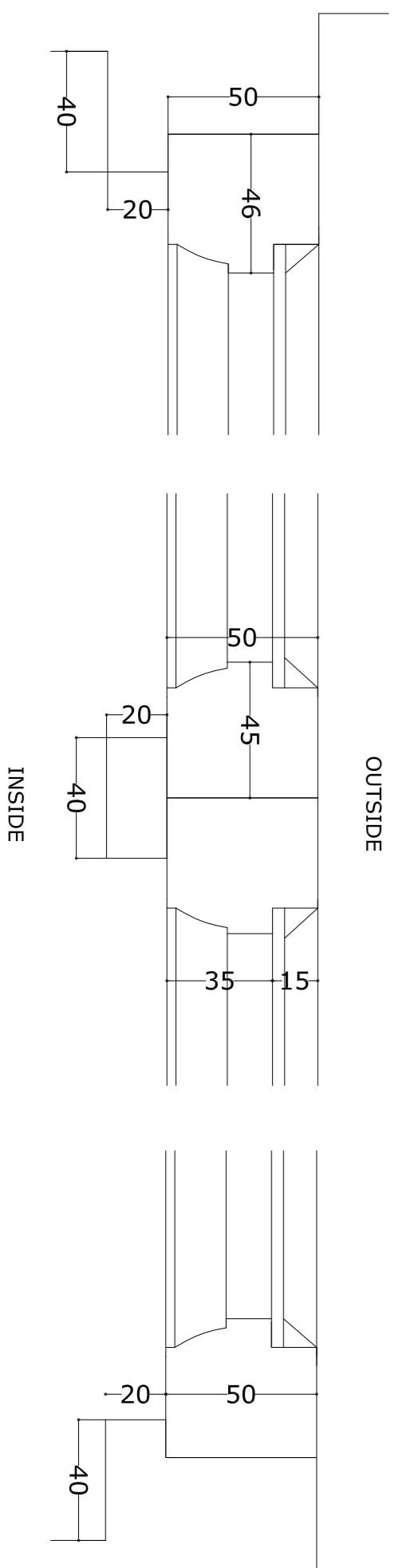
**RAILS**



Scale 1:1:1

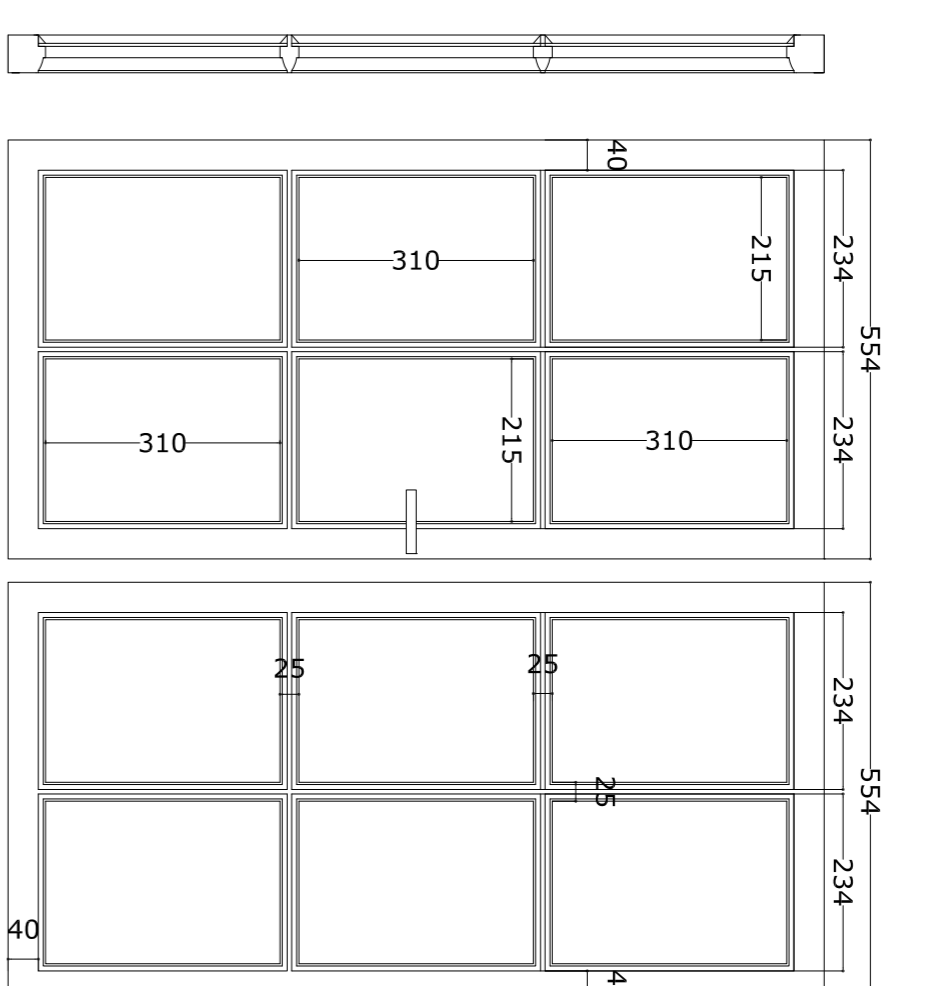


**VERTICAL RAILS** Scale 1:1:2

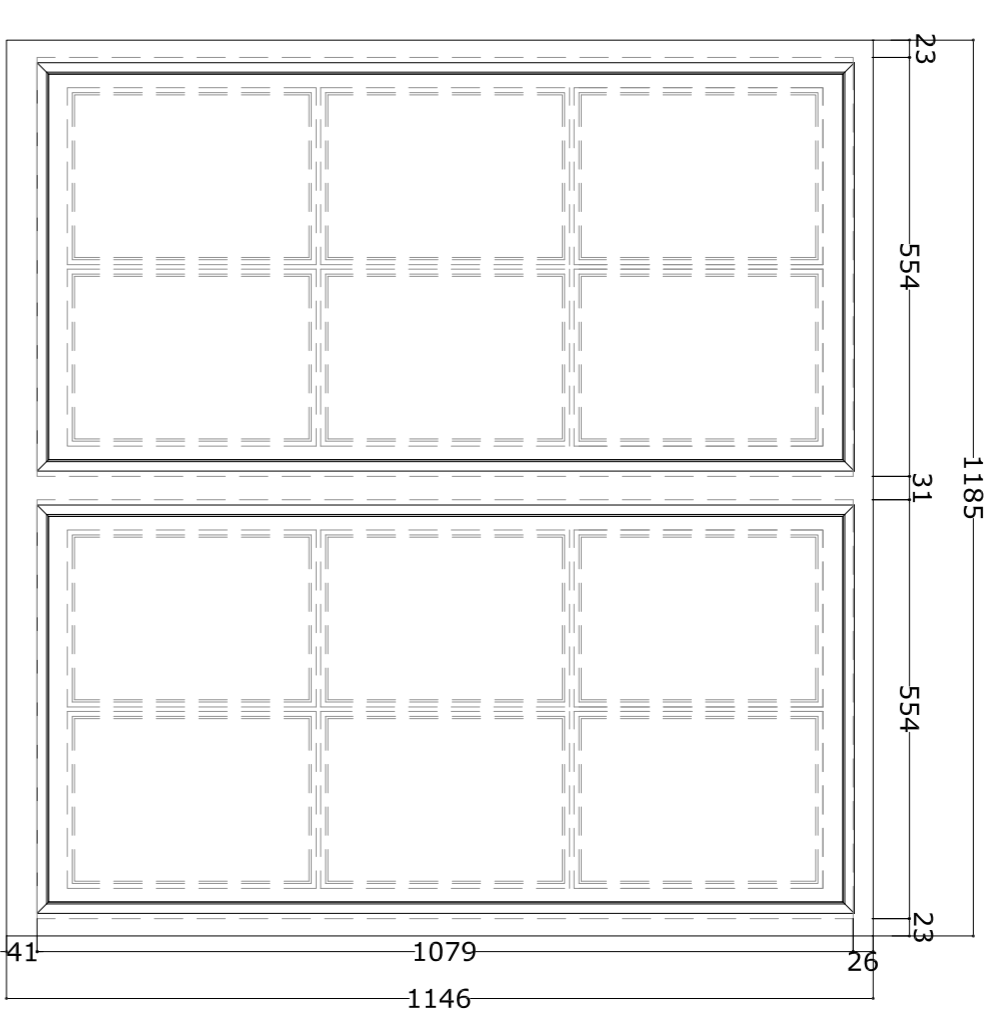


WINDOW	SIDE	FLOOR	TYPE
N.54	WEST	STAIRCASE	SINGLE DOOR OPEN OUT FIXED LIGHT
N.55	NORTH	STAIRCASE	SINGLE DOOR OPEN OUT FIXED LIGHT

**INSIDE LININGS ELEVATION**



**OUTSIDE LININGS ELEVATION**

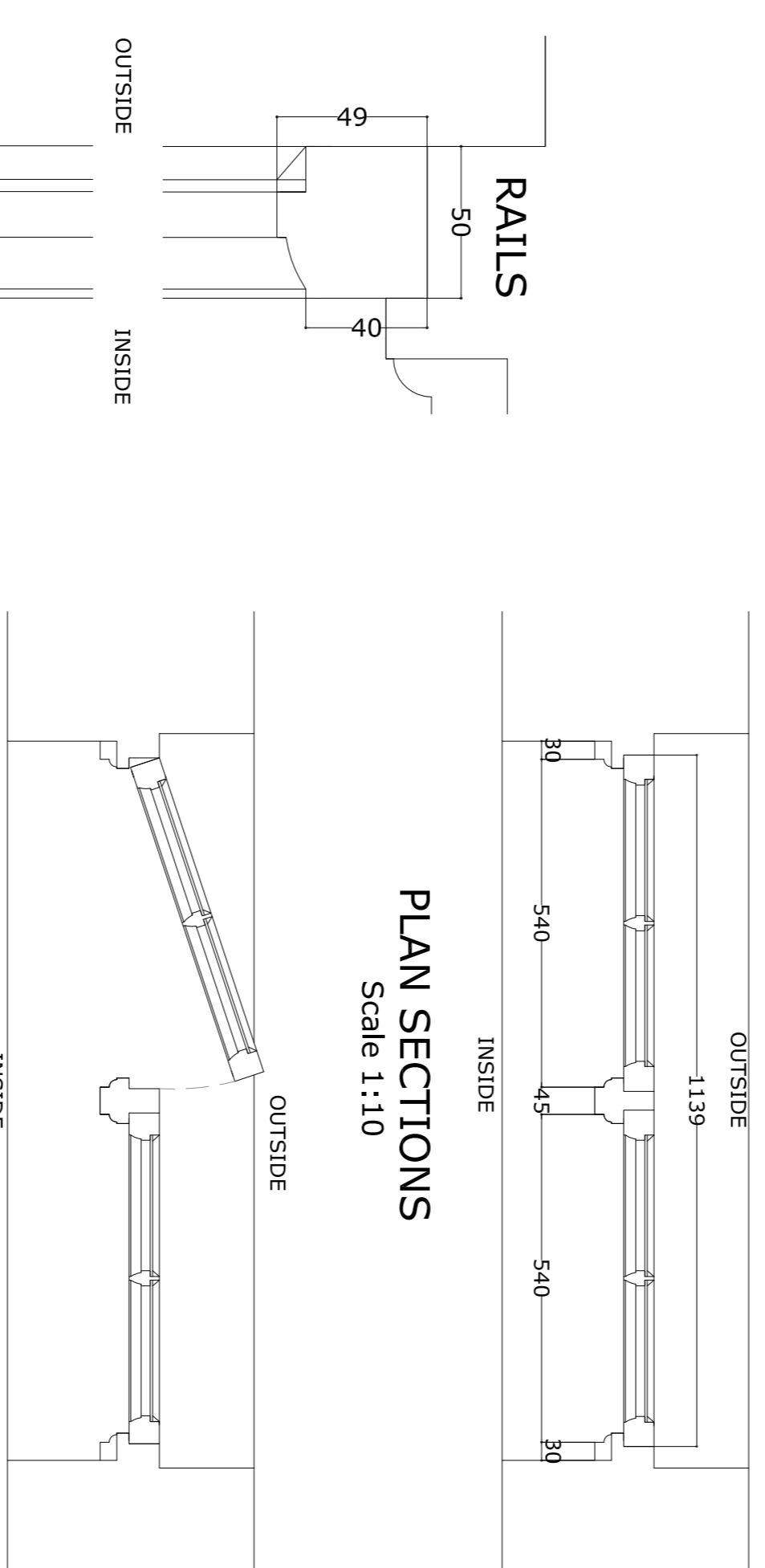


Scale 1:1:10

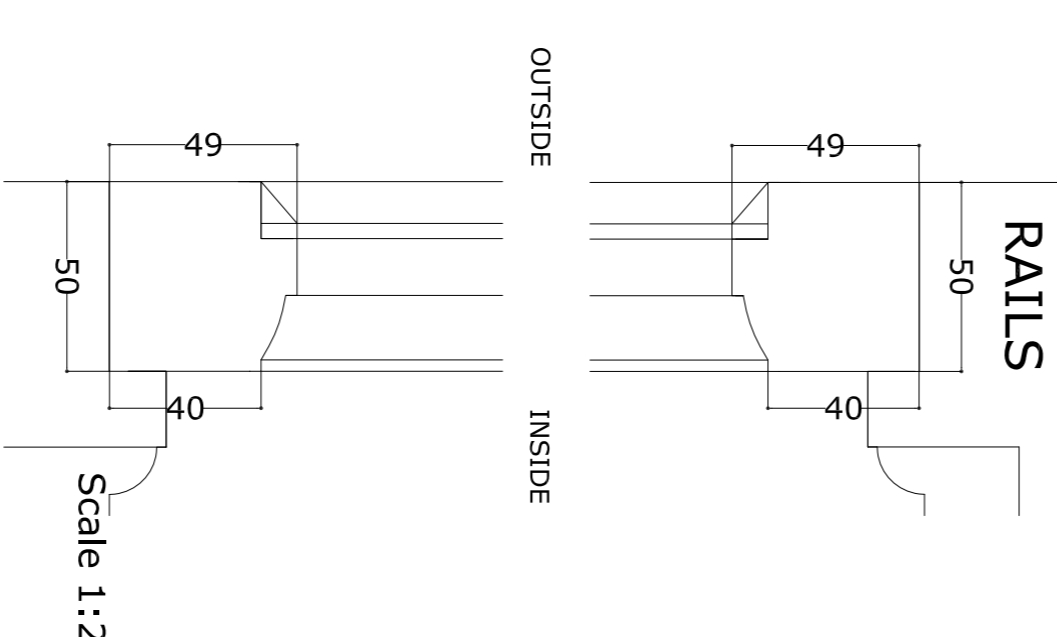
W 53  
W 54/55



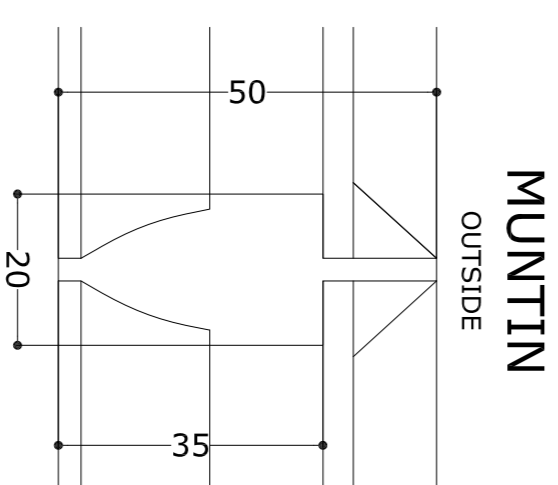
**PLAN SECTIONS**  
Scale 1:1:10



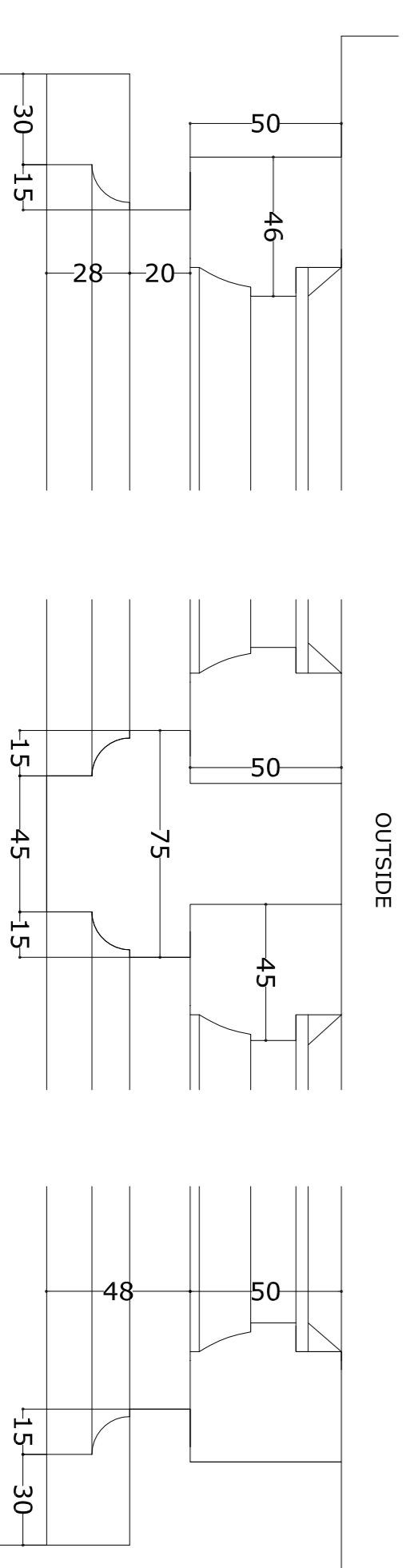
**RAILS**



Scale 1:1:1

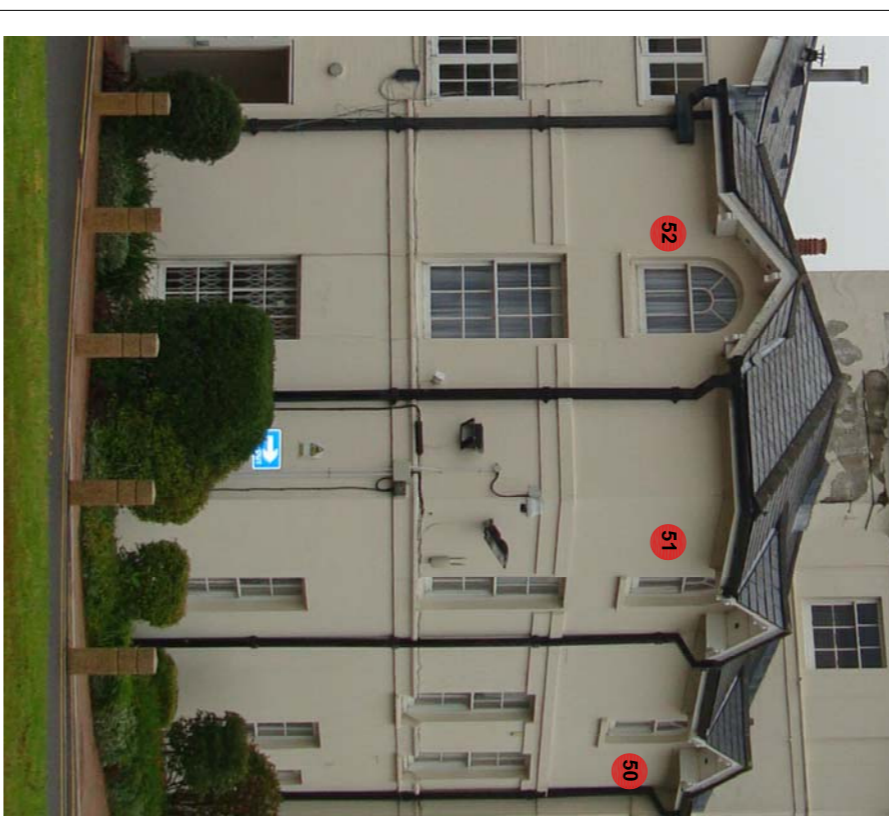


**VERTICAL RAILS** Scale 1:1:2



**GENERAL NOTES**

All drawings to be checked on site and any discrepancy to be notified to the authoring office immediately.  
No dimension to be scaled from the drawings for construction purposes unless otherwise indicated. All work is to comply with Building Regulations including structural work to BS8102.  
The sole purpose of this drawing is the procurement of Planning Permission and Building Regulation approval and work is NOT to commence before such approvals.  
Where this drawing is used for the works full specifications should be agreed with the tenderer to include heating, plumbing & other services where required.  
Heating work or other appliances involving Gas should be carried out by a 'CORGI' approved contractor.



REVISION	DESCRIPTION	BY	DATE

PROJECT: EXISTING WINDOWS - SURVEY - MAIN HOUSE AT OSHWAL CENTRE COOPERS LANE ROAD NORTHAW HEARTFORDSHIRE EN6 4DG

Unit: 26 Cynrus Business Centre, Dalmeier Road NW10 2XA  
Tel.: +44 (020) 8451 7833 +44 (020) 8459 9600  
Fax: +44 (020) 8451 3370  
Email: lvekarla@salotia.co.uk website: www.salotia.co.uk

**salotia**  
CHARTERED ARCHITECTS

DRAWING TITLE: **WINDOWS 53-54-55**

DATE: 18.05.2015  
SCALE: VARIOUS@A1, VARIOUS-1/2@A3  
DRAWN BY: DP  
CHECKED BY: LV  
DRAWING NO.: 6842-71-P0