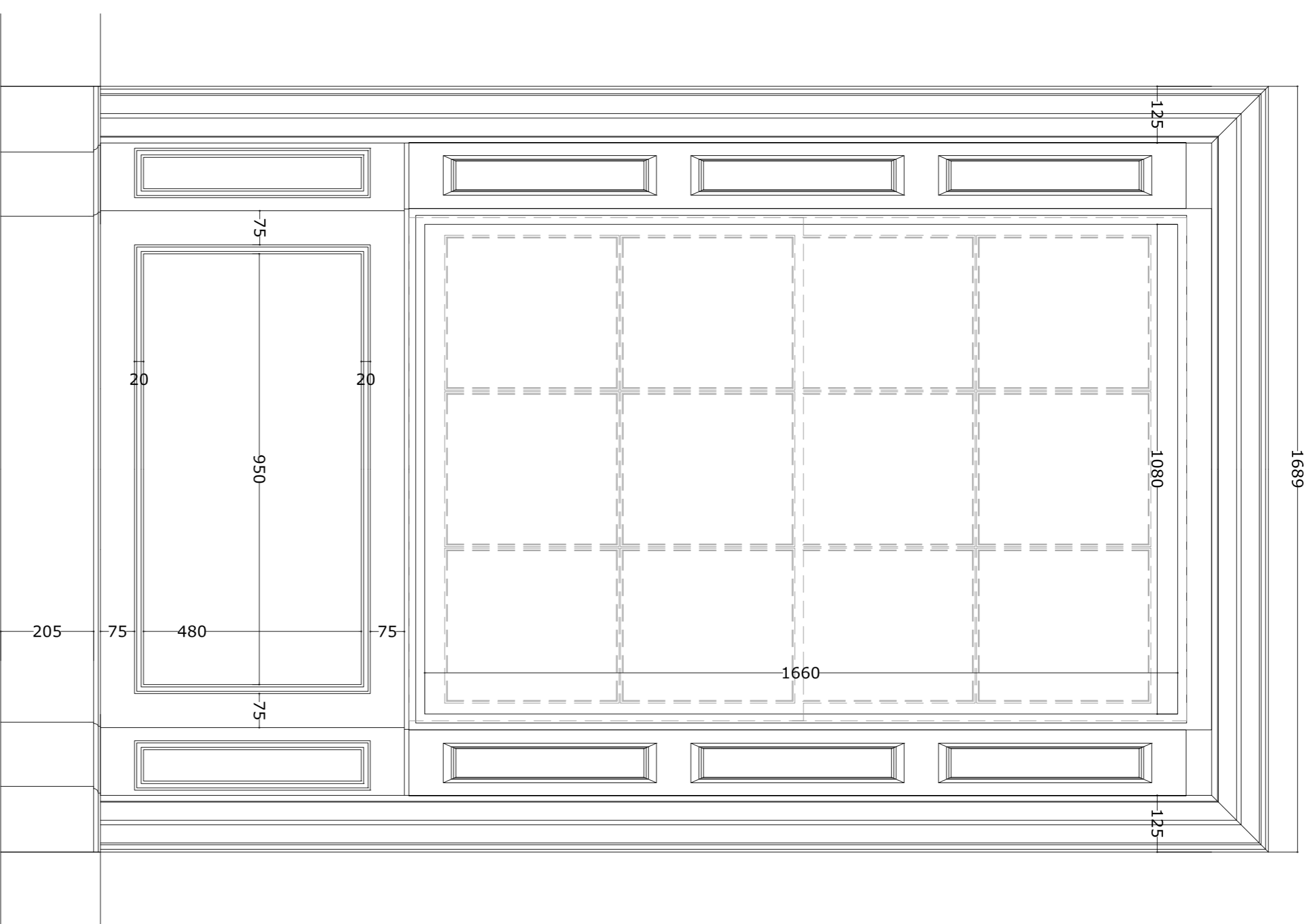


WINDOWS	SIDE	FLOOR	TYPE
N. 38-39-40-41-42	NORTH	FIRST	SASH DOUBLE HUNG
N. 43-44-45	EAST	FIRST	SASH DOUBLE HUNG

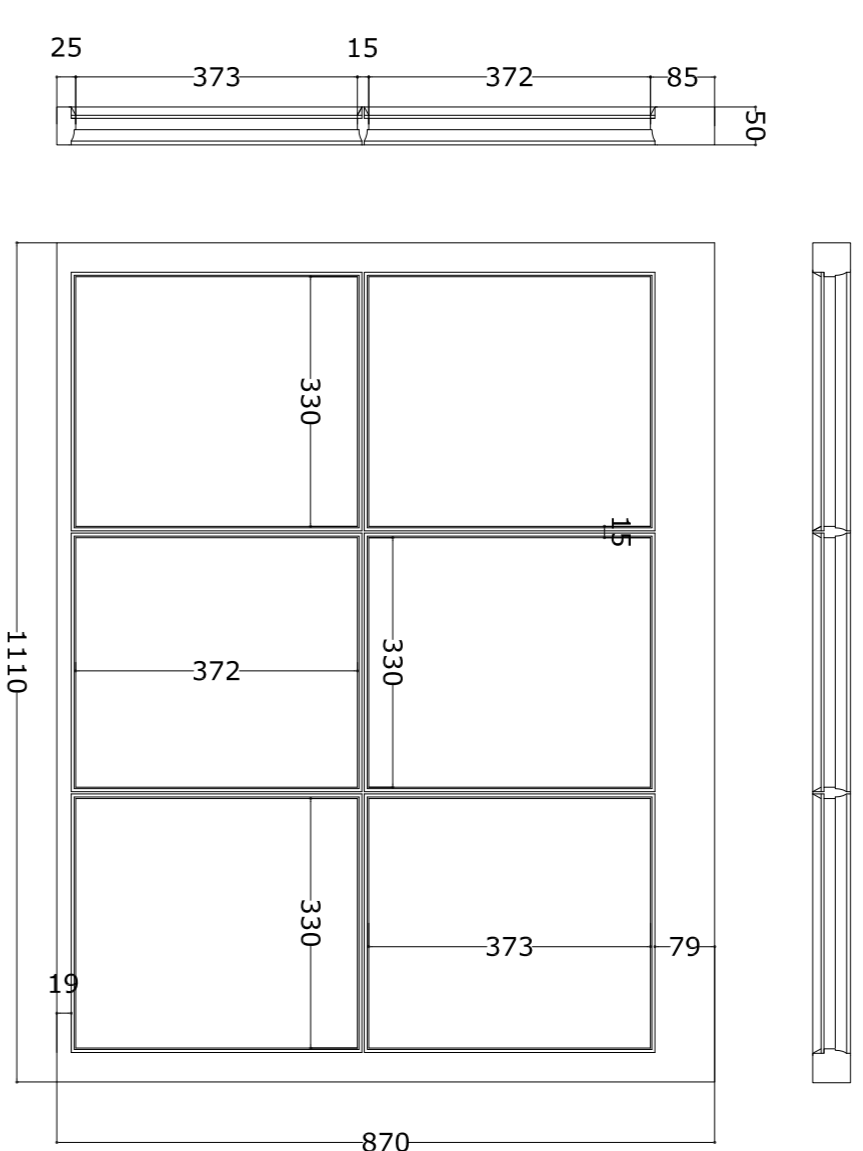
INSIDE LININGS ELEVATION

Scale 1:10



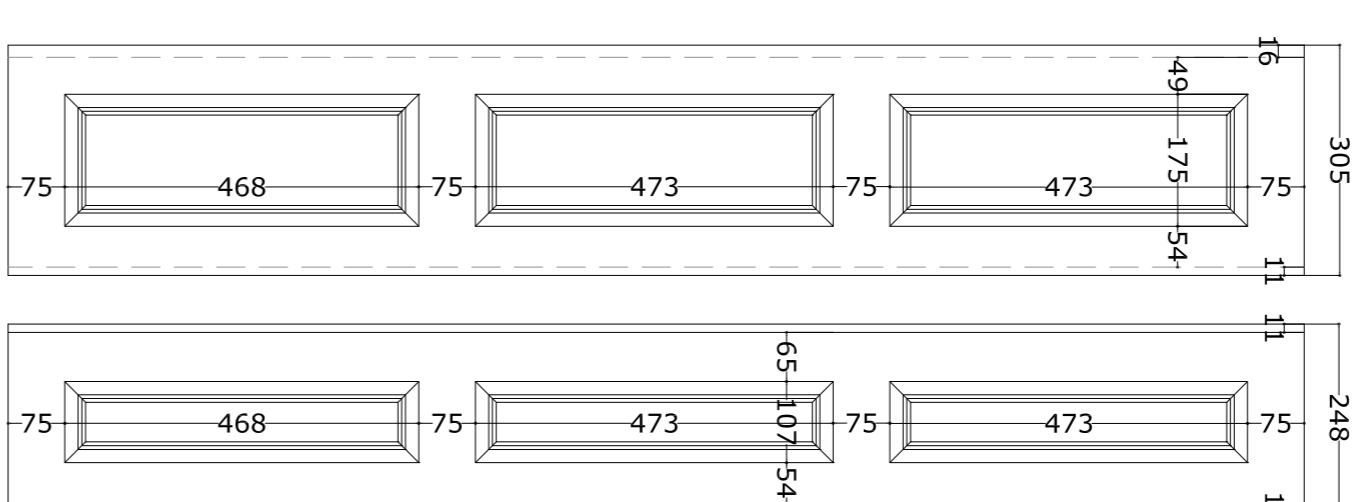
UPPER WINDOW

Scale 1:10



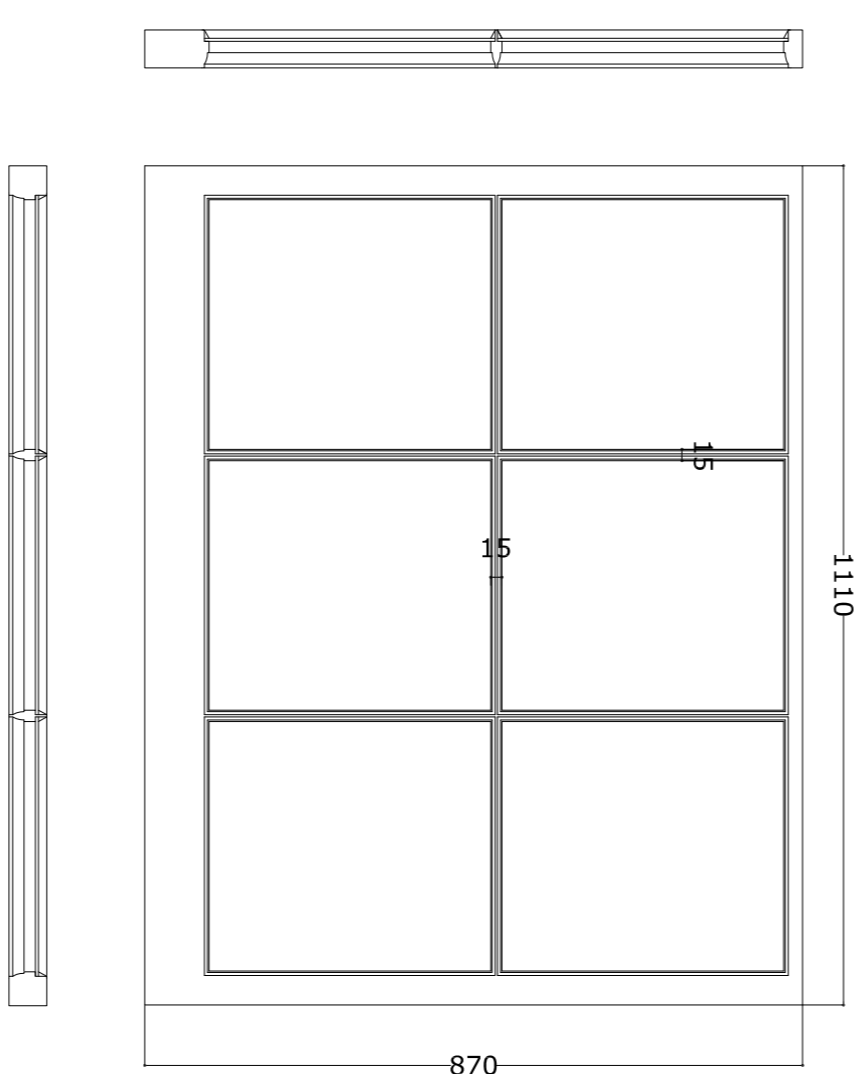
PANELS

Scale 1:10



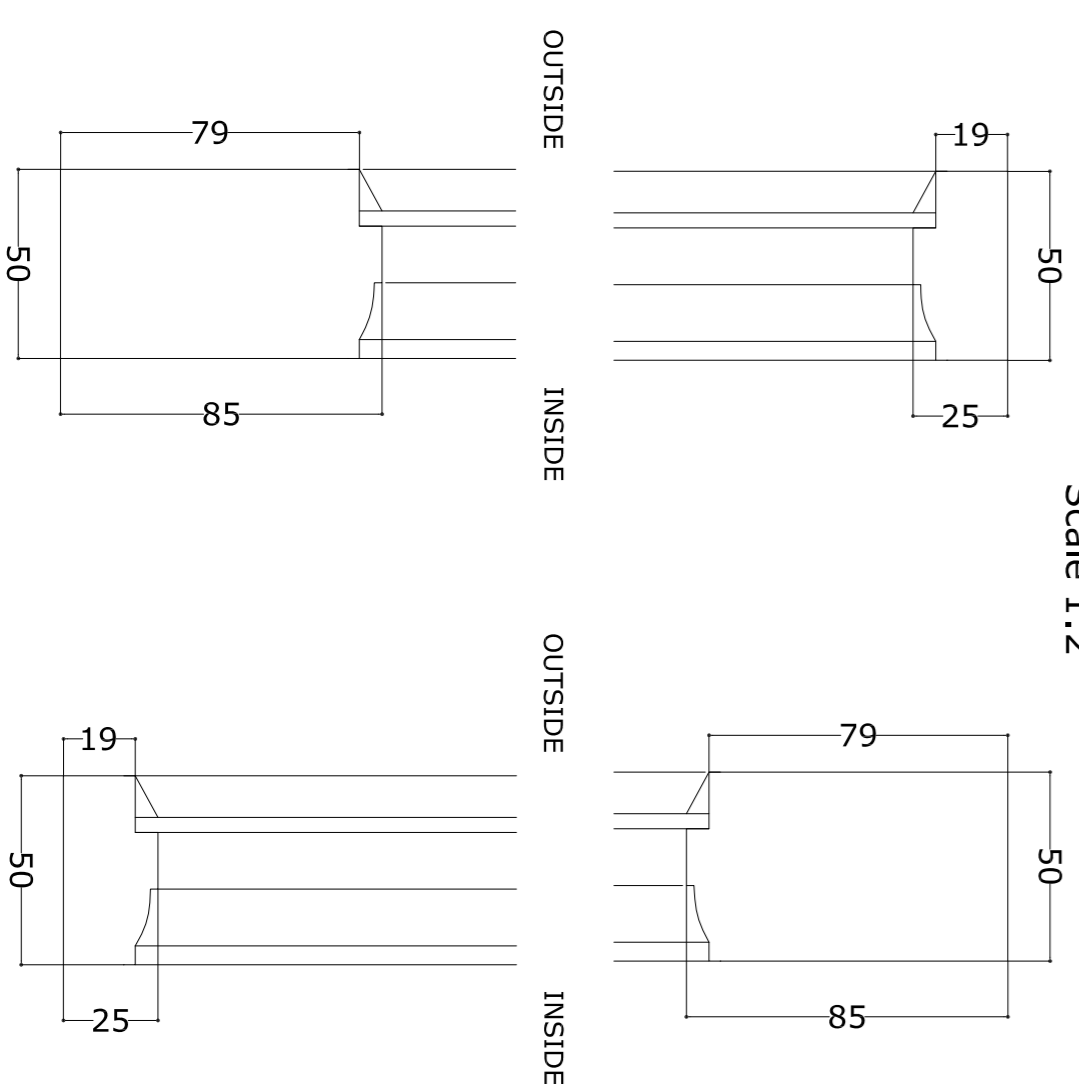
LOWER WINDOW

INSIDE

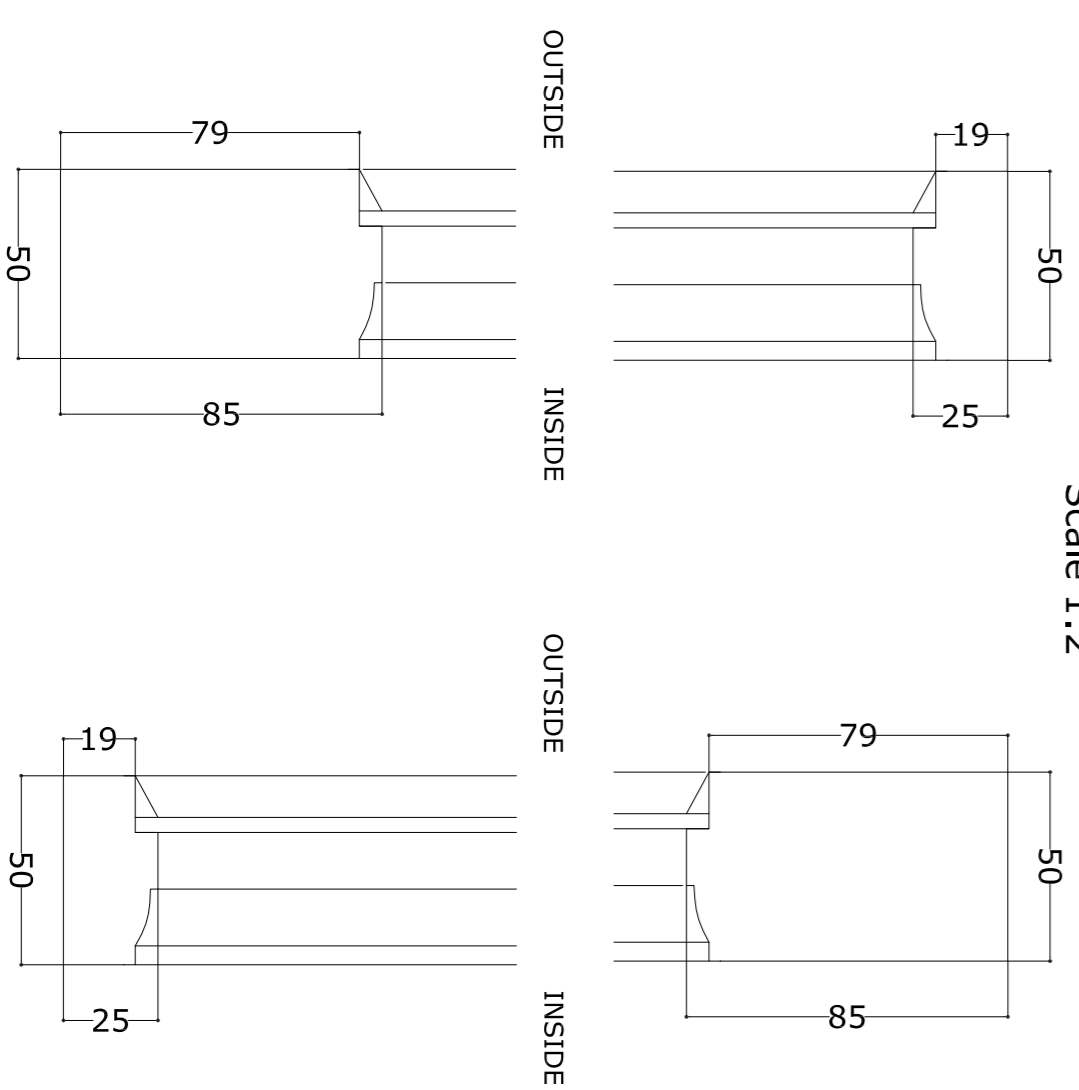


LOWER WINDOW

Scale 1:2

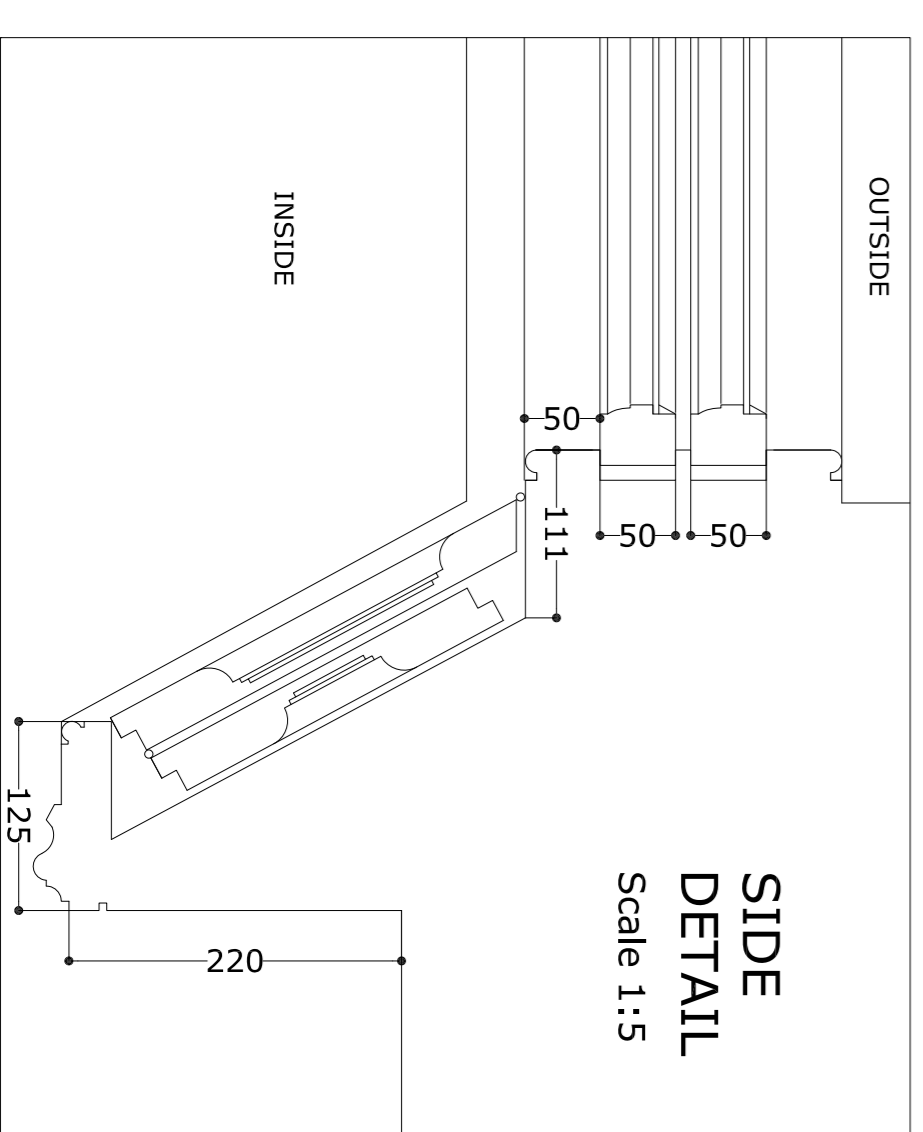


UPPER WINDOW



SIDE DETAIL

Scale 1:5

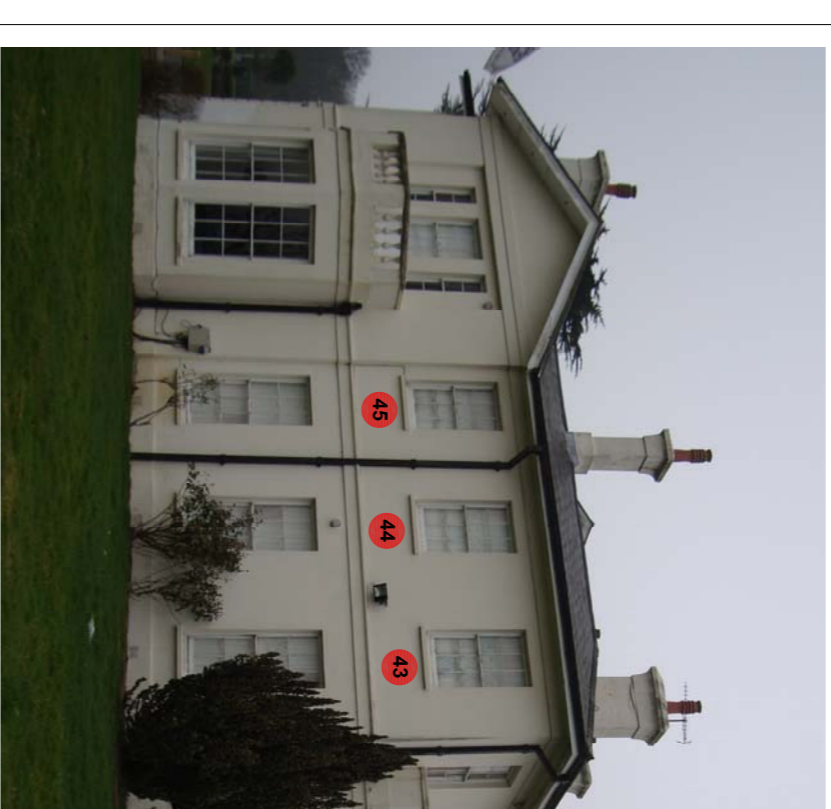


GENERAL NOTES

All dimensions to be checked on site and any discrepancy to be notified to the No dimension to be scaled from the drawings for construction purposes unless otherwise indicated. All work is to comply with Building Regulations including amendments made in April 2002.
The sole purpose of this drawing is the procurement of Planning Permission and Building Regulation approval and work is NOT to commence before such approvals. Where this drawing is used for the works full specifications should be agreed with the vendor to include Heating, Plumbing & other services where required. Heating work or other appliances involving Gas should be carried out by a 'CORGI' approved contractor.



EAST ELEVATION



NORTH ELEVATION



REVISION	DESCRIPTION	BY	DATE

Salotia
CHARTERED ARCHITECTS
Unit 28 Cyprus Business Centre, Dalmeida Road NW10 2XA
Tel: +44 (020) 8451 7833 +44 (020) 8459 9800
Fax: +44 (020) 8451 3370
Email: l.vokleria@salotia.co.uk website: www.salotia.co.uk

PROJECT
EXISTING WINDOWS - SURVEY -
MAIN HOUSE AT TOSHWAL CENTRE
COOPERS LANE ROAD
NORTHAW HEARTFORDSHIRE EN6 4DG

DRAWING TITLE
WINDOWS 38-39-40-41
42-43-44-45

DATE 19.05.2015
SCALE VARIOUS@A1, VARIOUS@1/2@A3
DRAWN BY DP
CHECKED BY LV

DRAWING NO. 6842-68-P0
REVISION