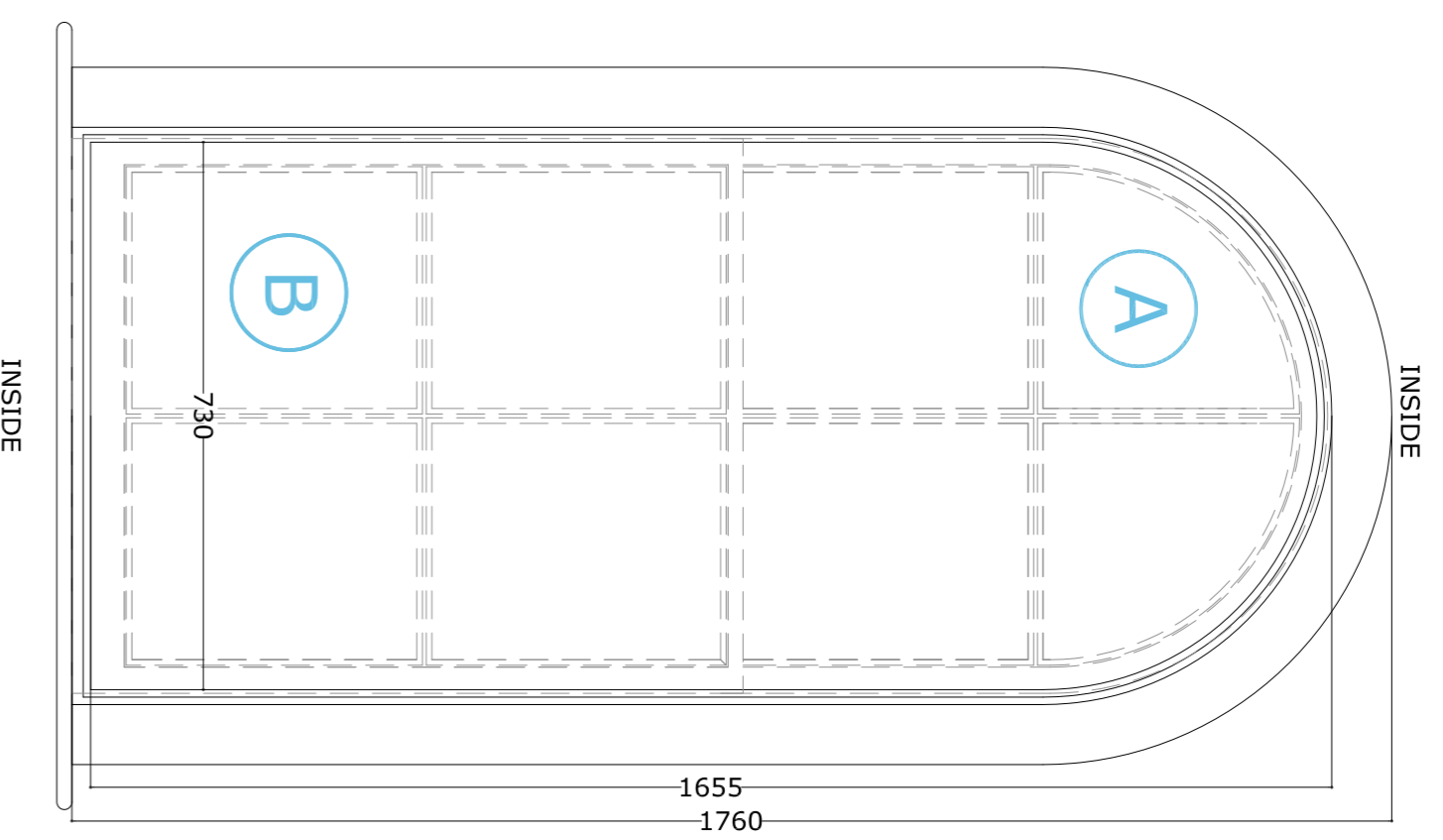
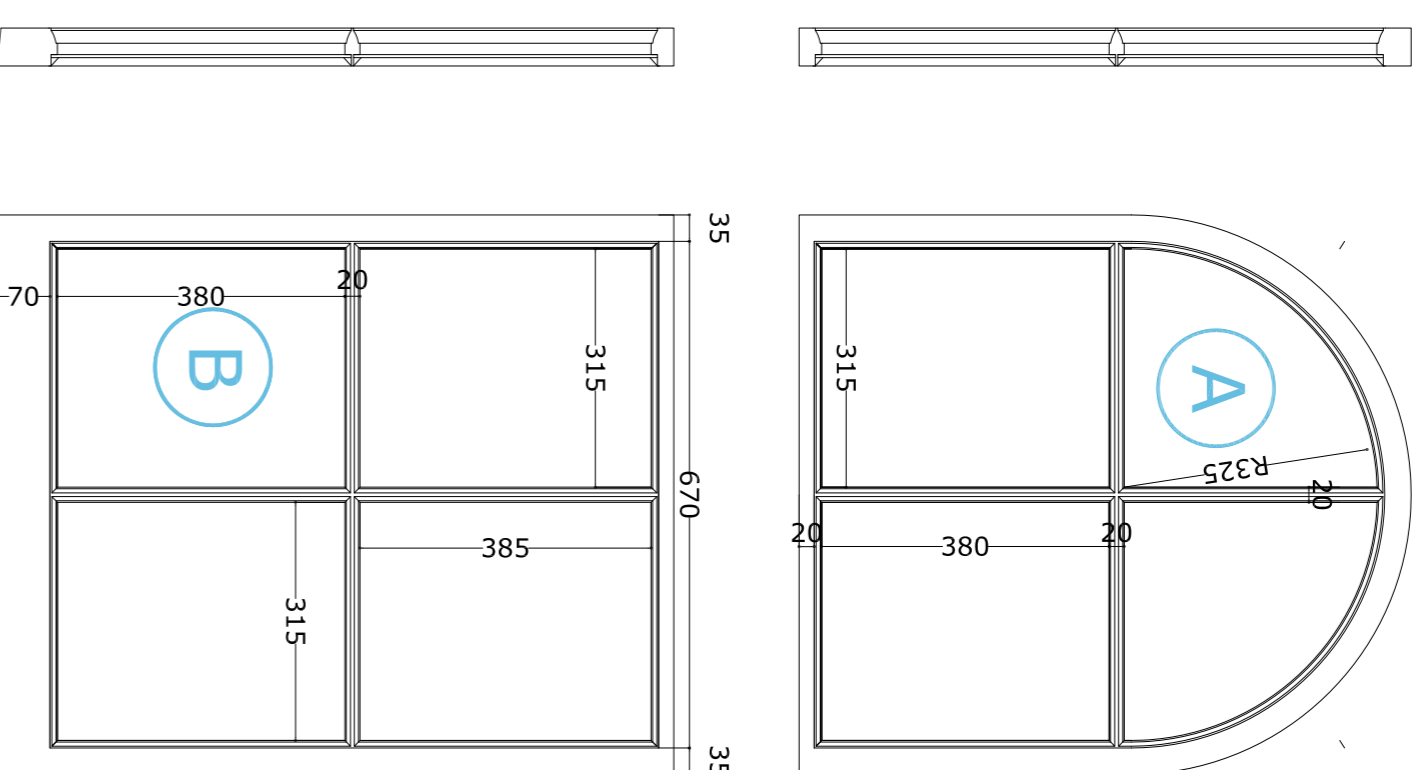


WINDOW	SIDE	FLOOR	TYPE
N.24/25/26	SOUTH	FIRST	SASH DOUBLE HUNG

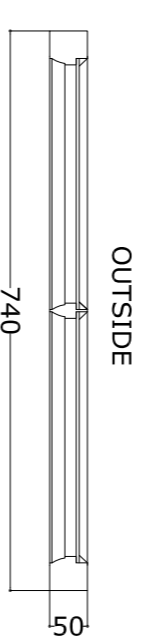
INSIDE LININGS ELEVATION
Scale 1:10



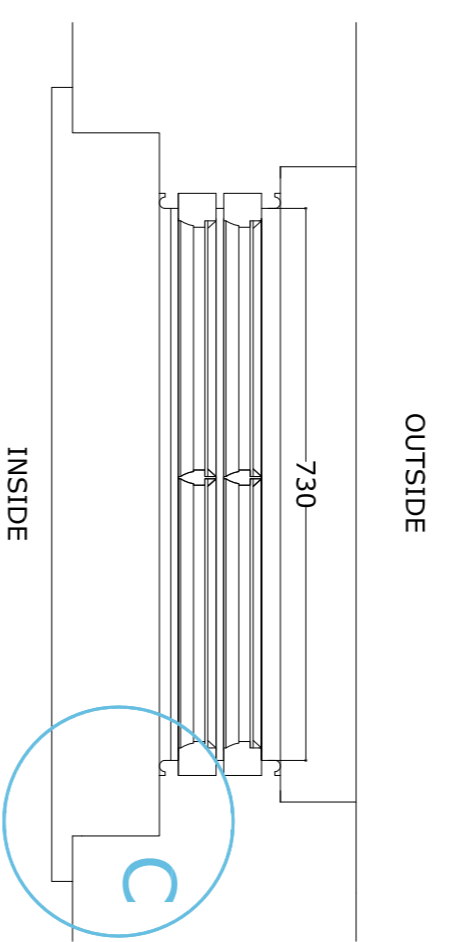
UPPER WINDOW
Scale 1:10



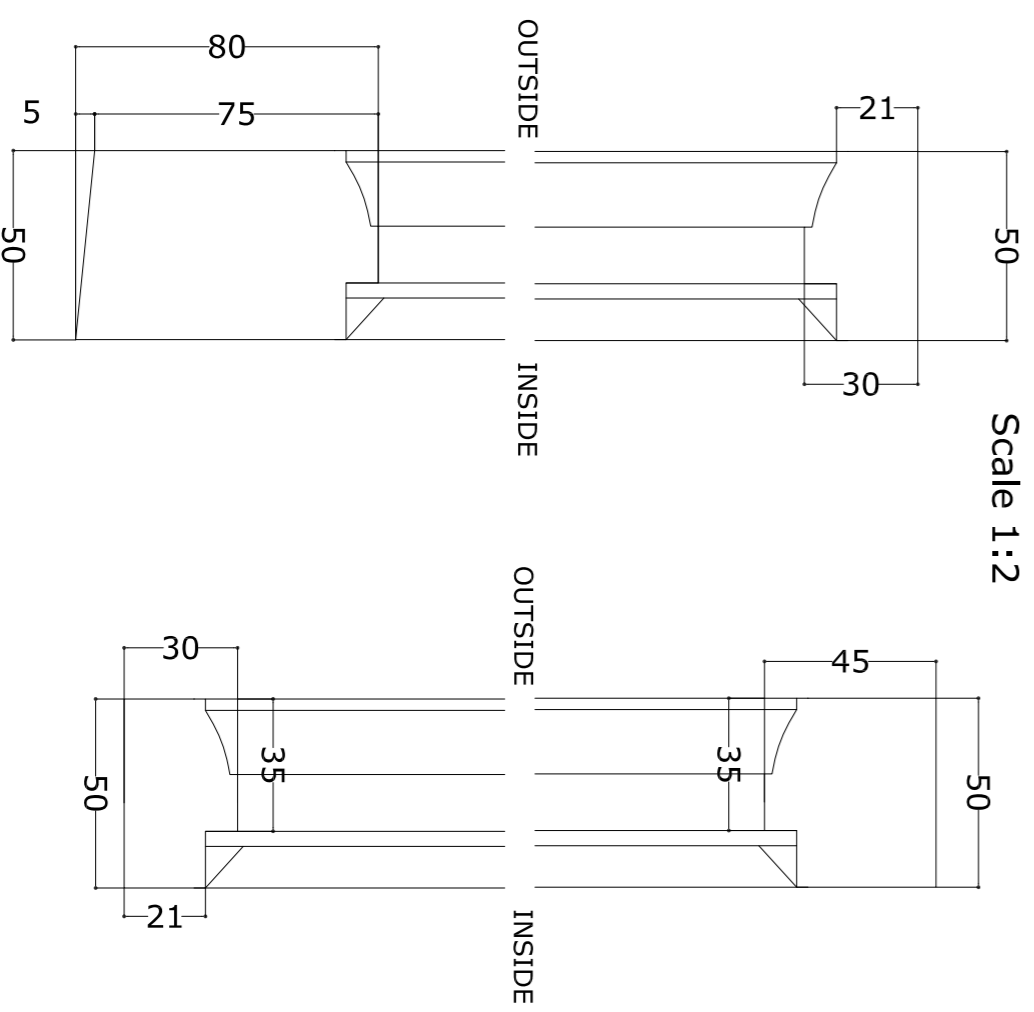
LOWER WINDOW
Scale 1:10



PLAN SECTION
Scale 1:10



LOWER WINDOW UPPER WINDOW
Scale 1:2

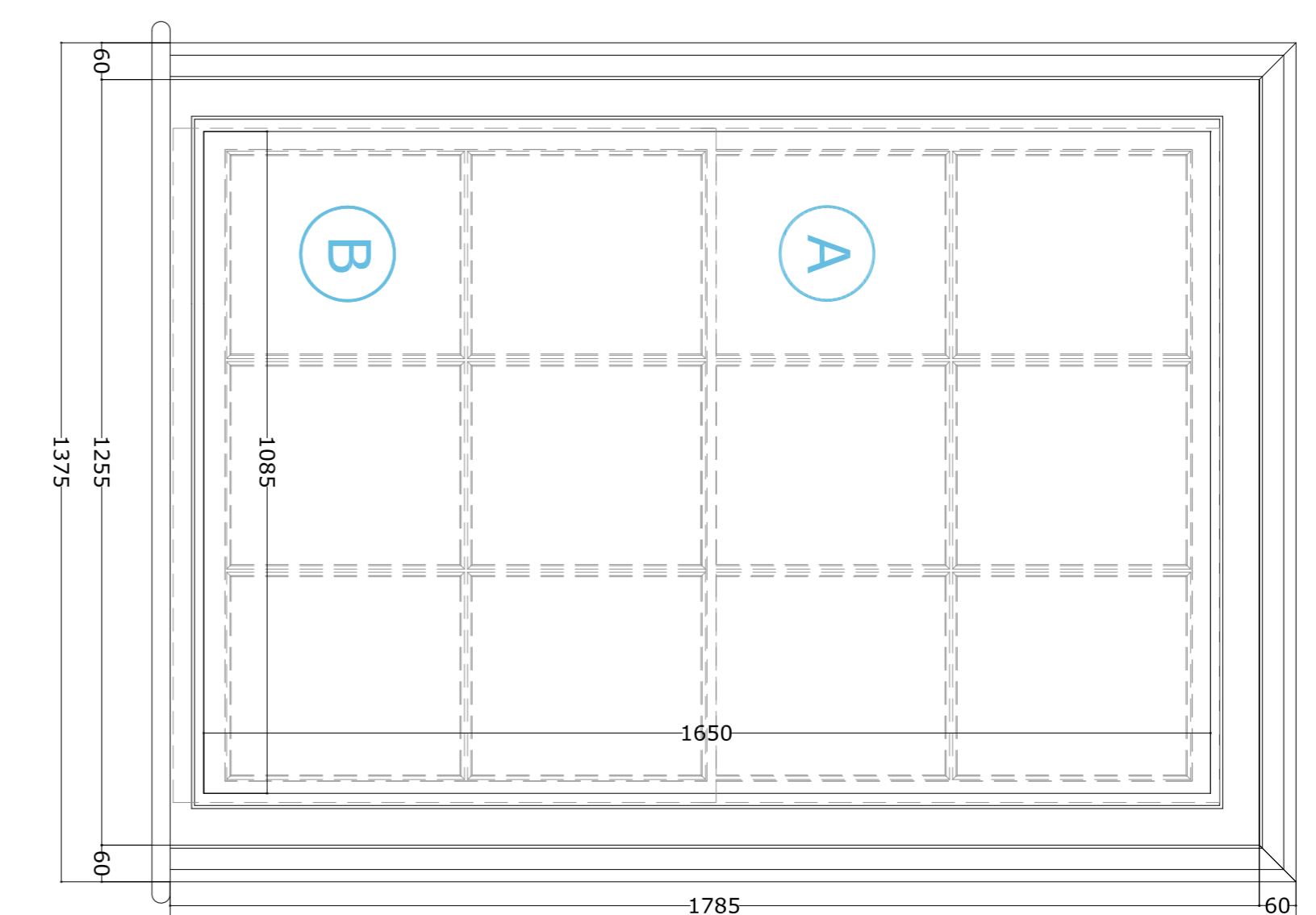


W 24/25/26

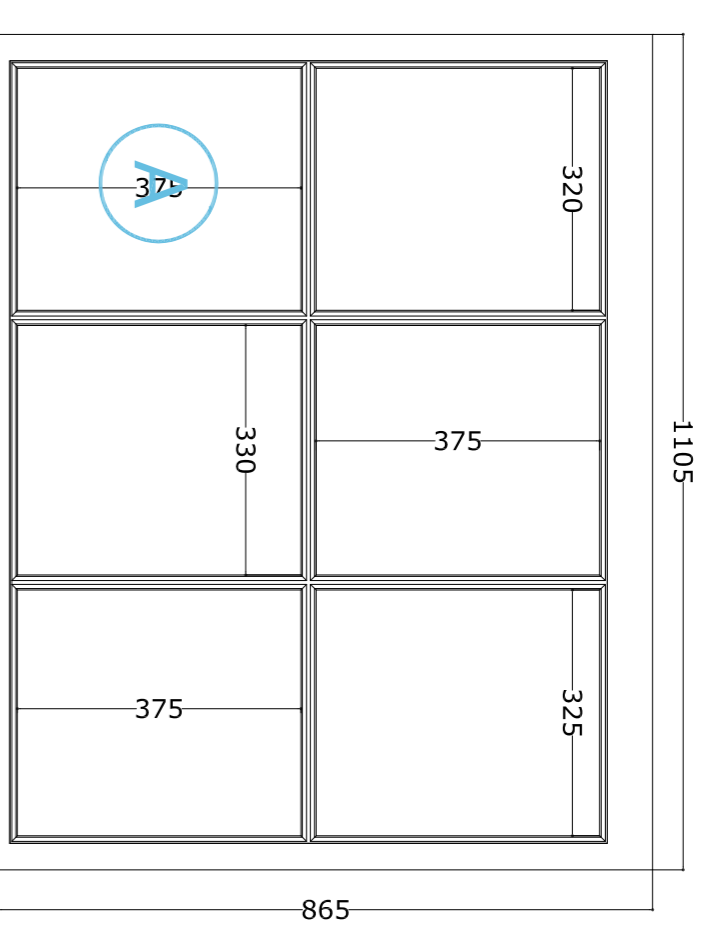


WINDOW	SIDE	FLOOR	TYPE
N.27	SOUTH	FIRST	SASH DOUBLE HUNG

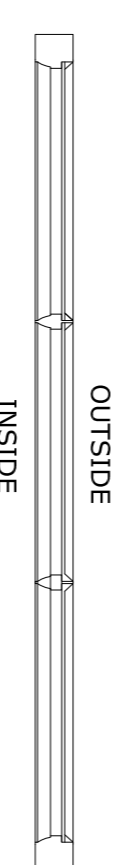
INSIDE LININGS ELEVATION
Scale 1:10



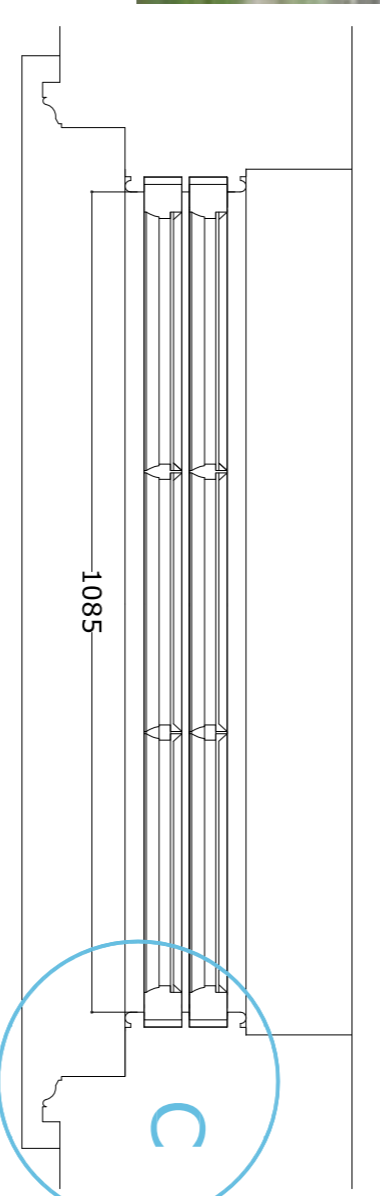
UPPER WINDOW
Scale 1:10



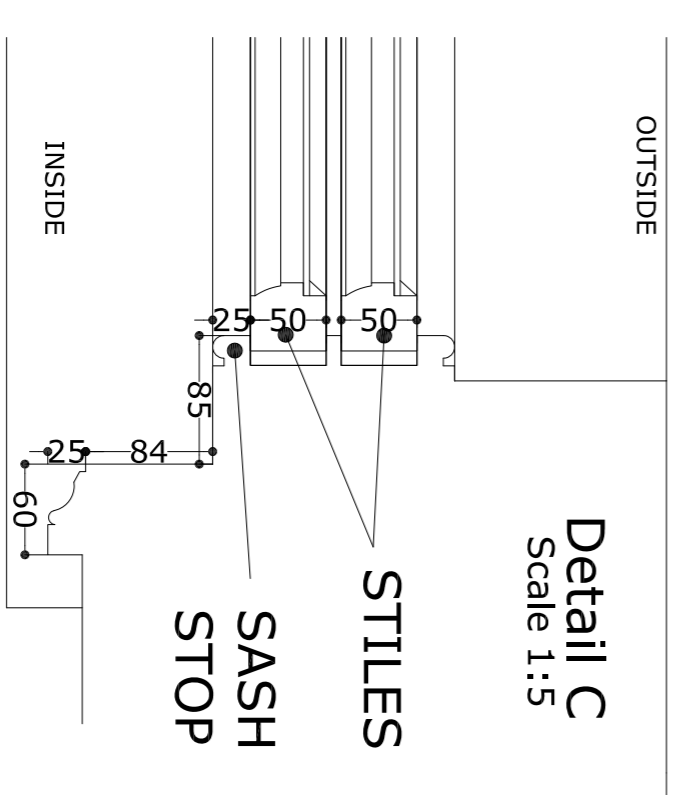
LOWER WINDOW
Scale 1:10



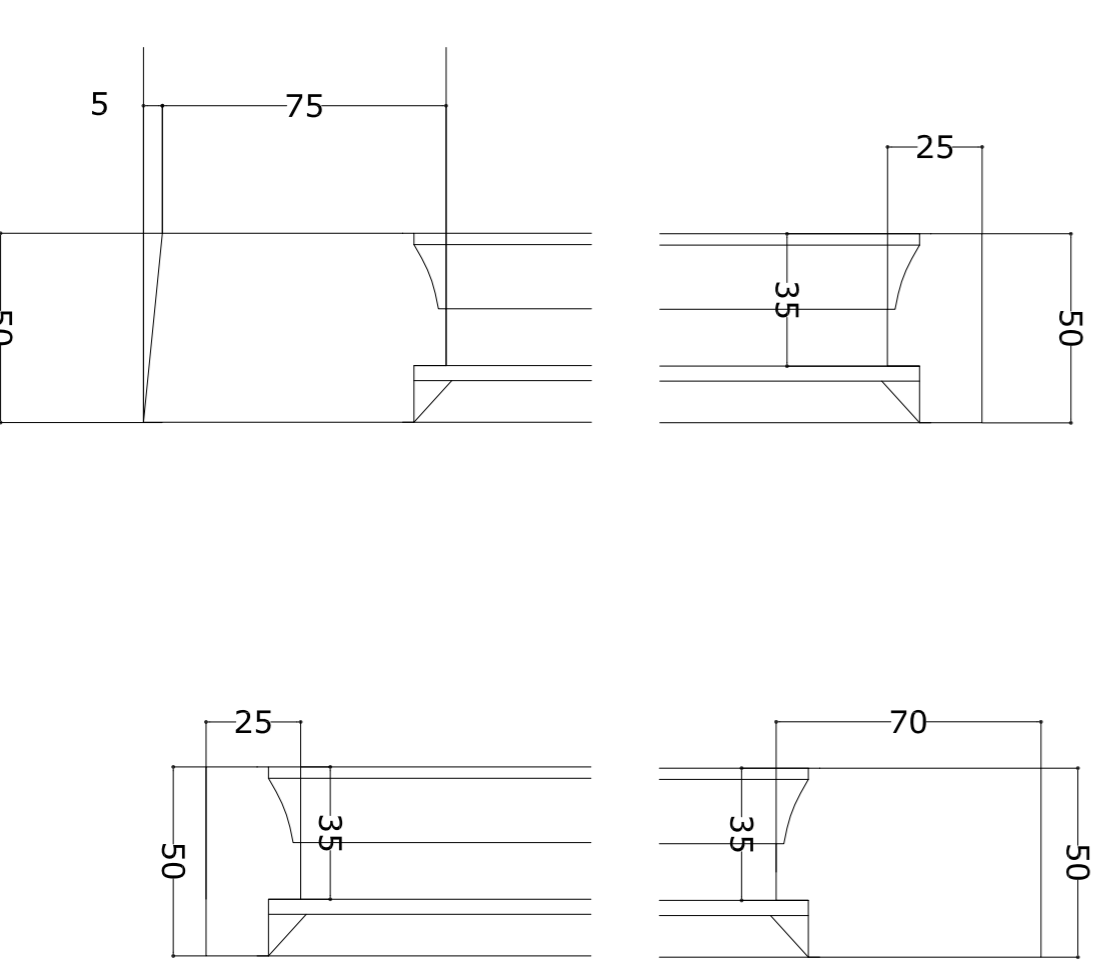
PLAN SECTION
Scale 1:10



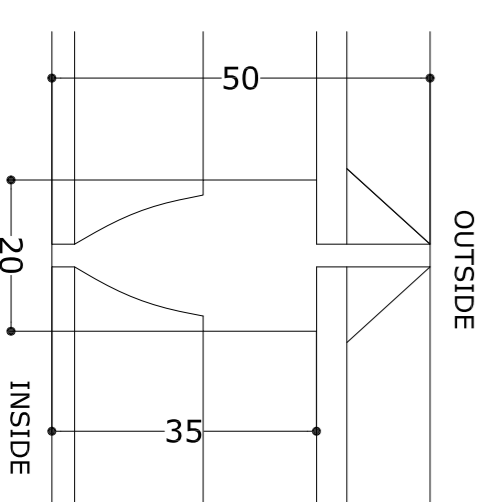
Detail C
Scale 1:5



LOWER WINDOW UPPER WINDOW
Scale 1:2



MUNTIN
Scale 1:1



GENERAL NOTES

All dimensions to be checked on site and any discrepancy to be notified to the superintendent/contractor immediately. No dimension to be scaled from the drawings for construction purposes unless otherwise indicated. All work is to comply with Building Regulations including Part L1 and Part F1. The scale purpose of this drawing is the procurement of Planning Permission and Building Regulation approval and work is NOT to commence before such approval. Where this drawing is used for the works full specifications should be agreed with the contractor to include Heating, Plumbing & other services where required. Heating work or other appliances involving Gas should be carried out by a 'CORGI' approved contractor.



REVISION	DESCRIPTION	BY	DATE

Salonia
CHARTERED ARCHITECTS
Unit 26 Cynus Business Centre, Dalmeier Road NW10 2XA
Tel: +44 (020) 8451 7833 +44 (020) 8459 9600
Fax: +44 (020) 8451 3370
Email: l.yekaterina@salonia.co.uk website: www.salonia.co.uk

PROJECT
EXISTING WINDOWS - SURVEY -
MAIN HOUSE AT OSHWAL CENTRE
COOPERS LANE ROAD
NORTHAW HEARTFORDSHIRE EN6 4DG

DRAWING TITLE
WINDOWS 24-25-26-27

DATE	15.05.2015	DRAWN BY	DP
SCALE	VARIOUS@A1, VARIOUS-1/2@A3	CHECKED BY	LV
DRAWING NO.	6842-62-P0	REVISION	