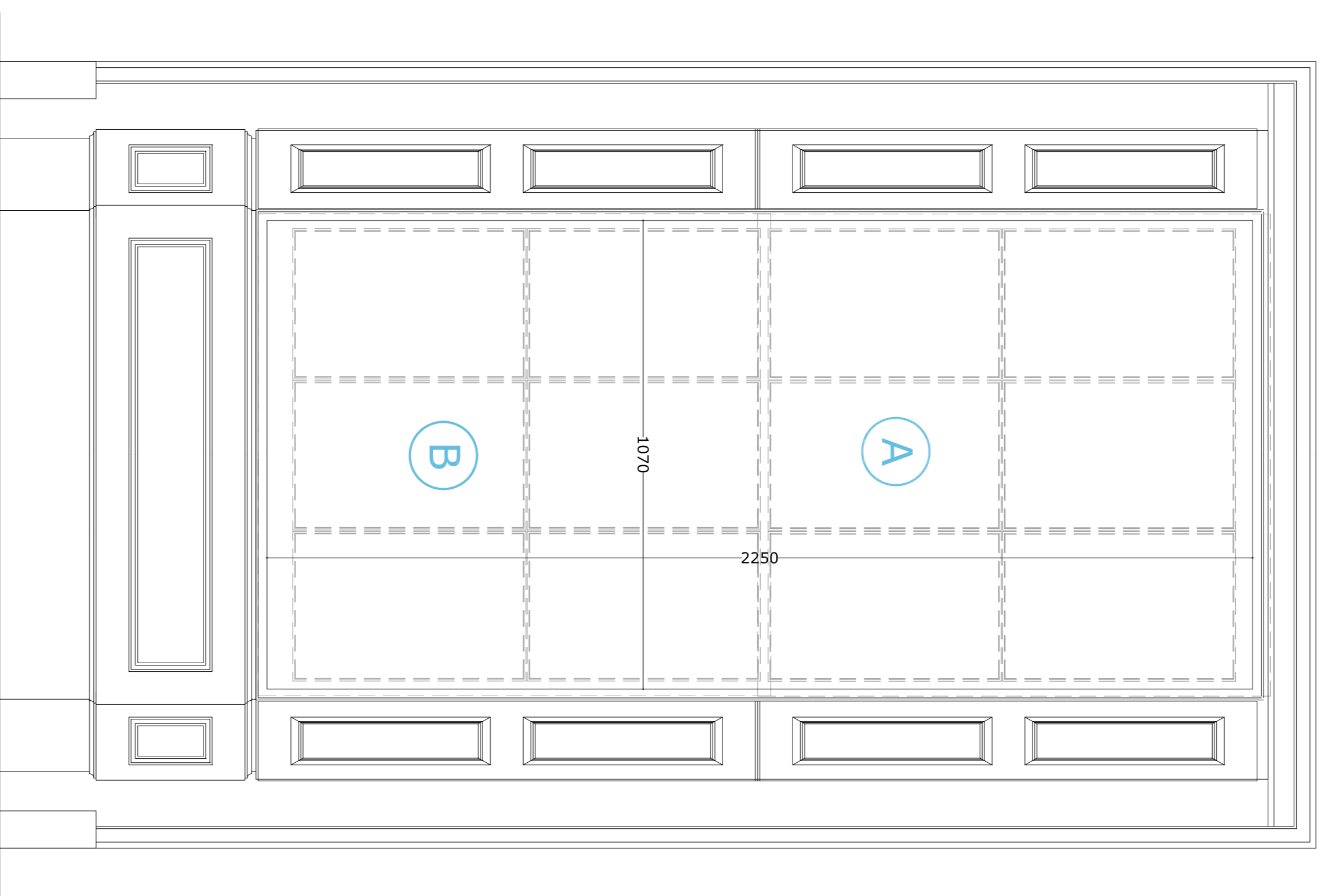


WINDOW	SIDE	FLOOR	TYPE
N. 12-13-14	NORTH	GROUND	DOUBLE HUNG SASH

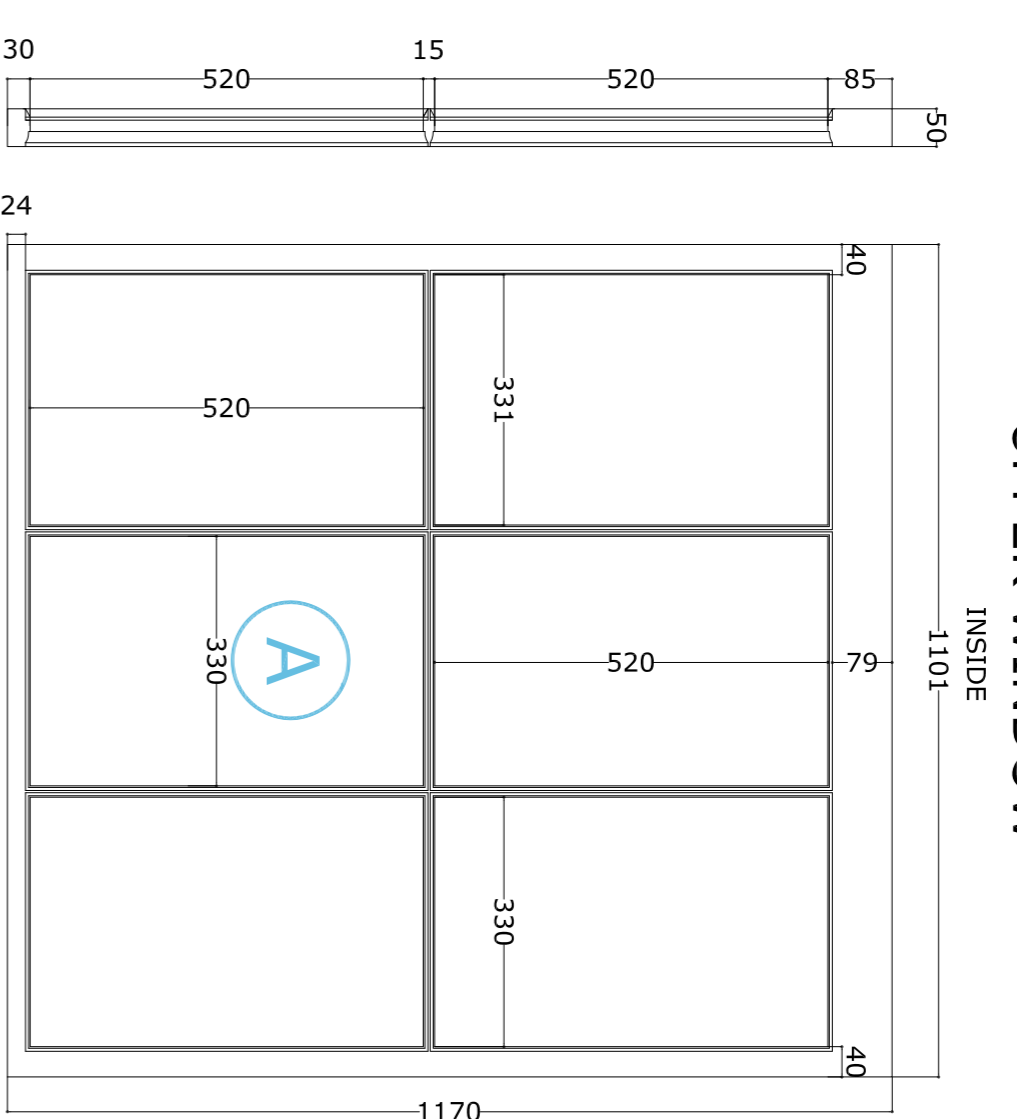
### INSIDE LININGS ELEVATION

Scale 1:10



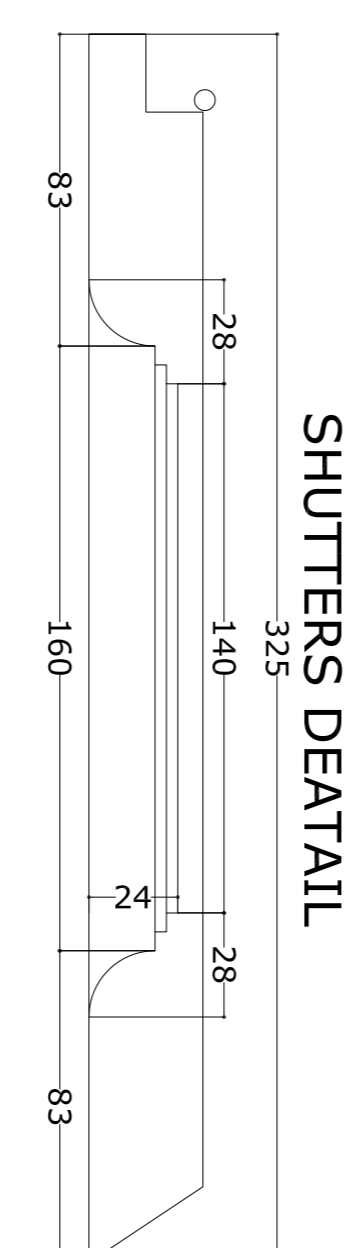
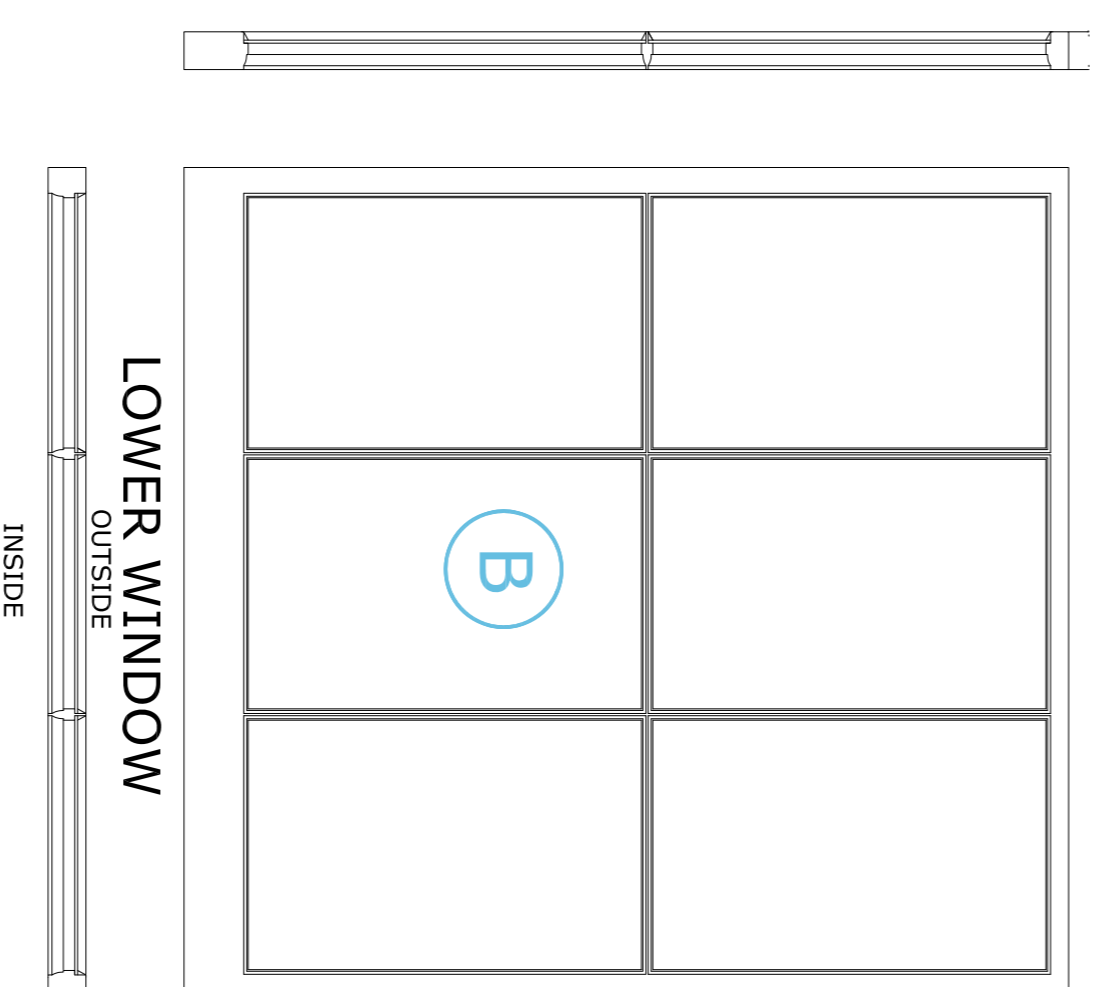
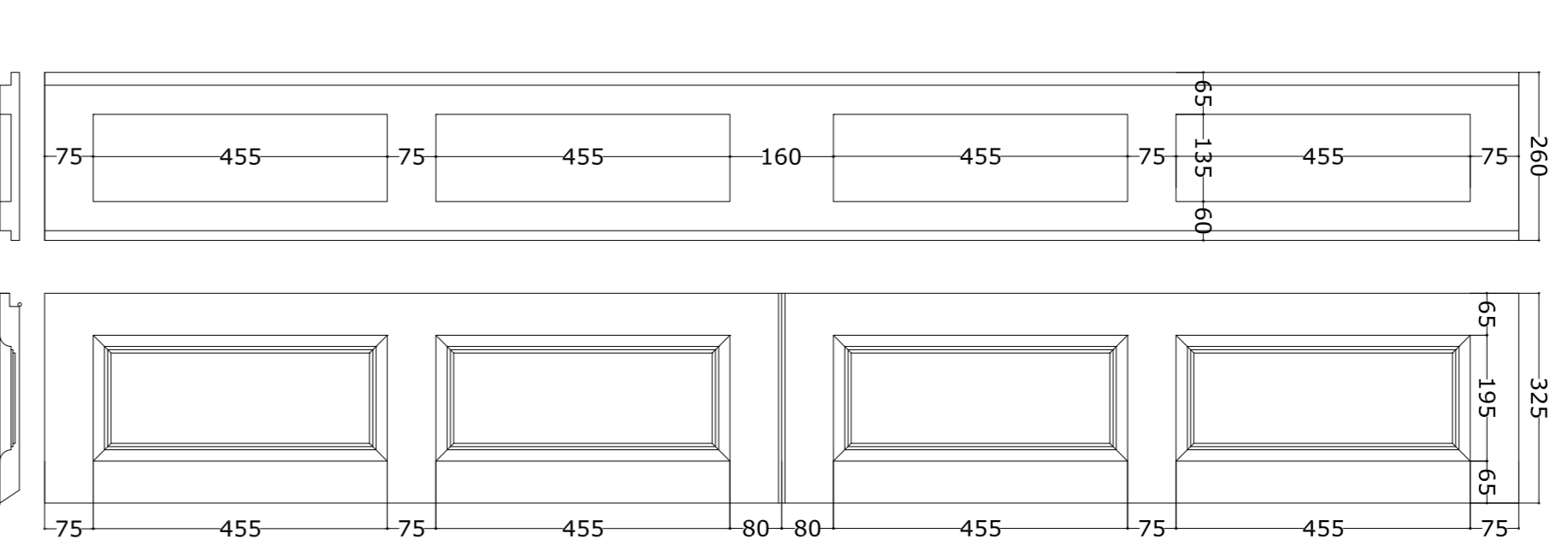
### WINDOWS

Scale 1:10

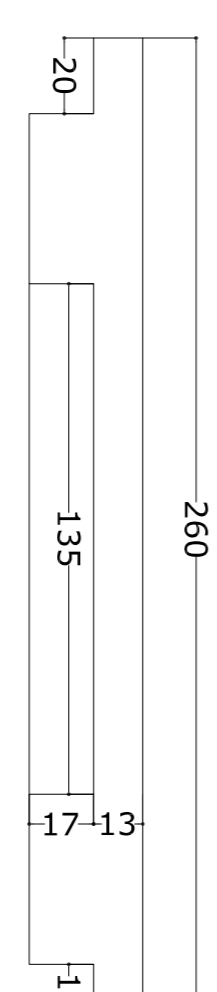


### SHUTTERS

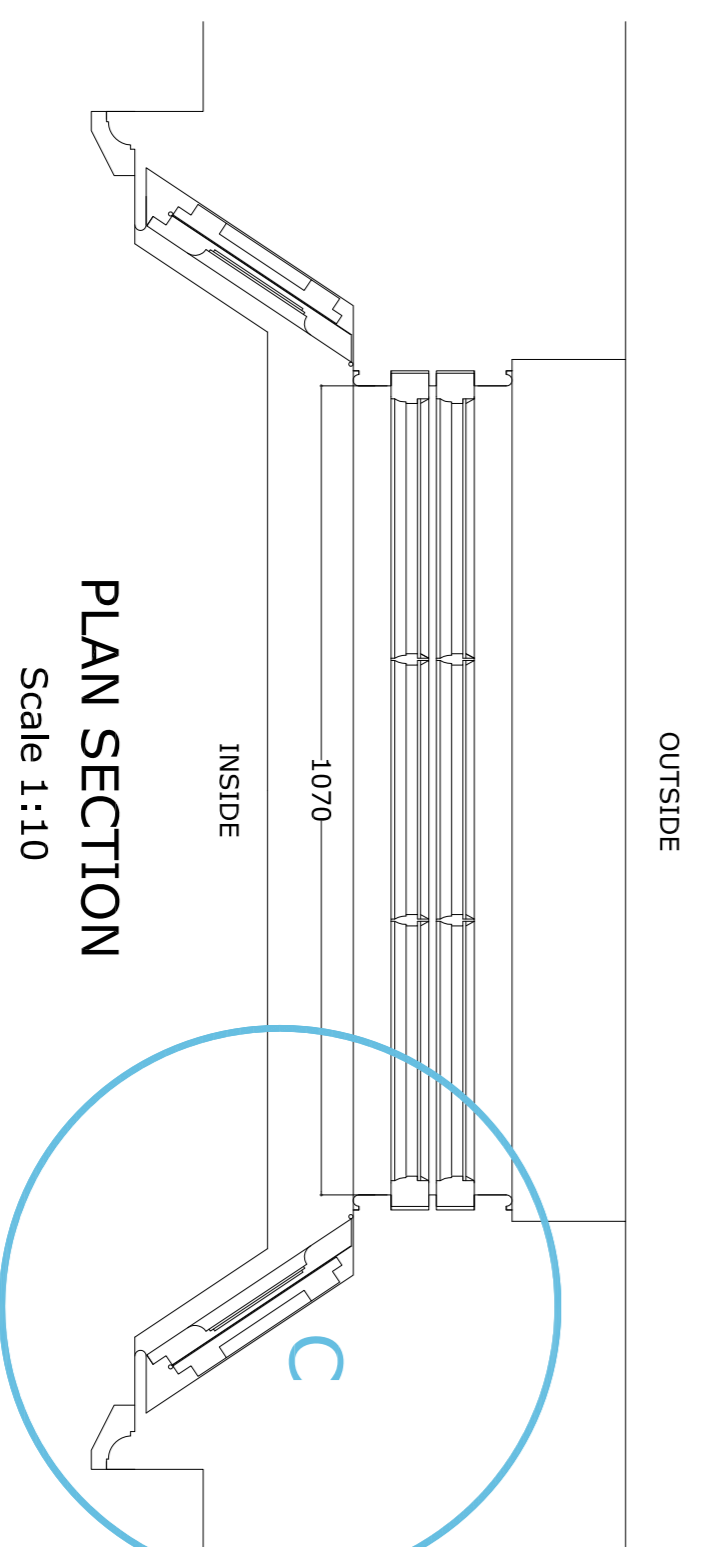
Scale 1:10



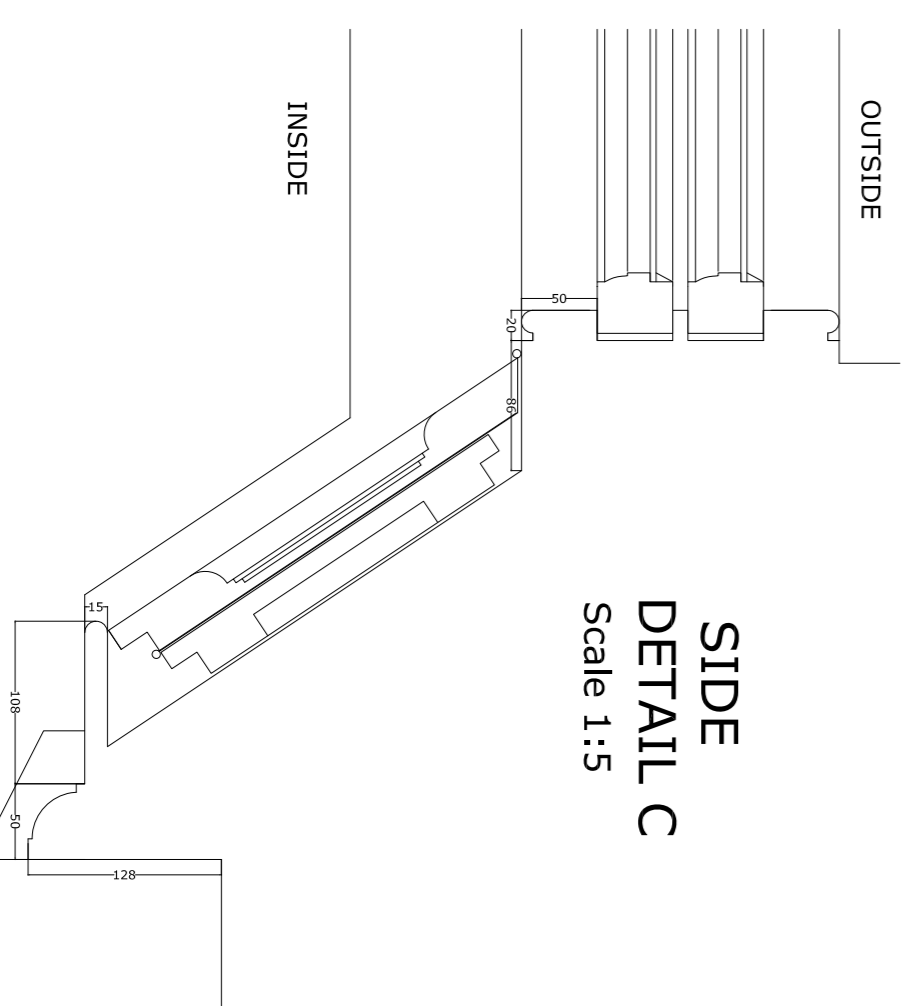
Scale 1:2



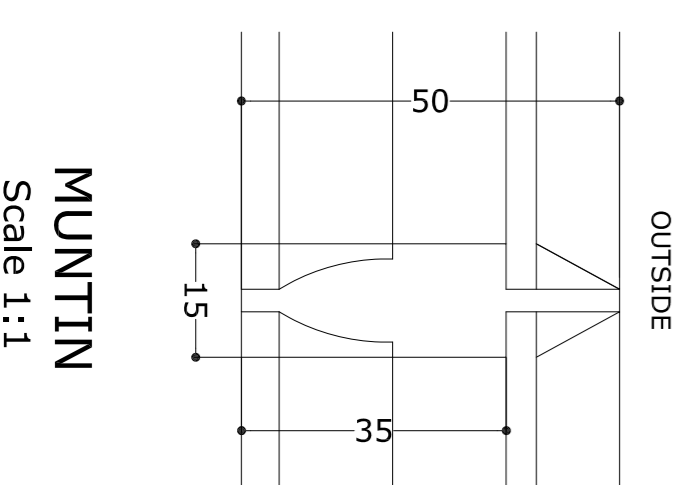
Scale 1:2



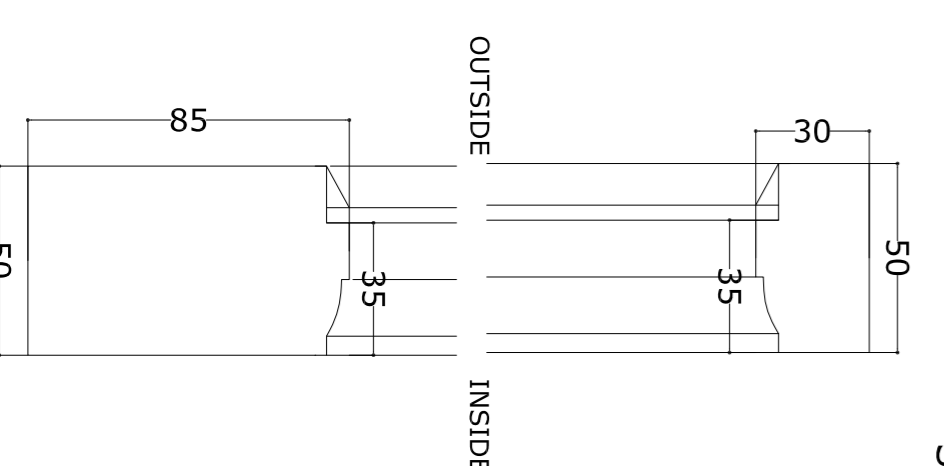
Scale 1:10



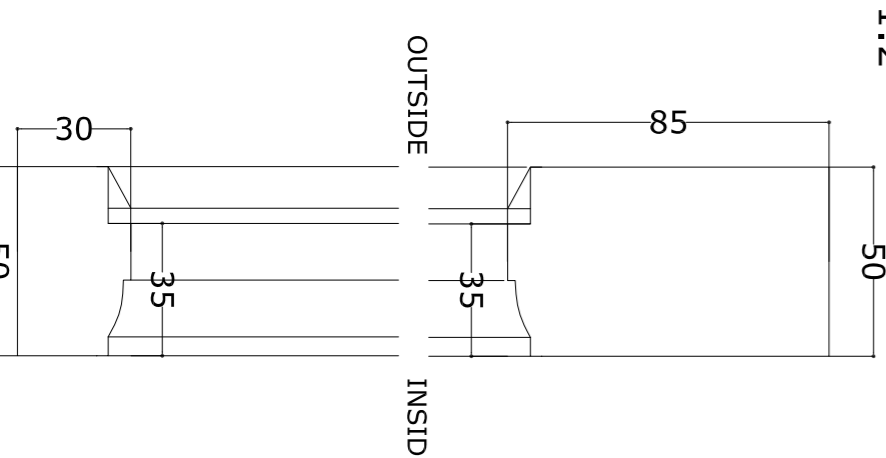
Scale 1:5



Scale 1:1

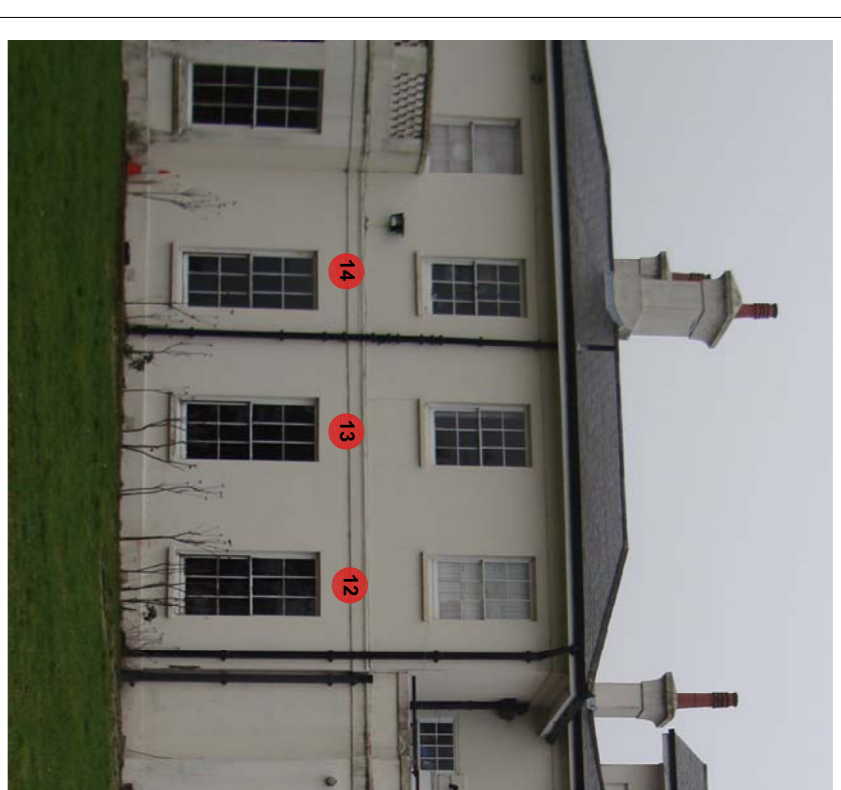


Scale 1:2



### GENERAL NOTES

All drawings to be checked on site and any discrepancy to be notified to the contractor on site immediately. No dimension to be scaled from the drawings for construction purposes unless otherwise indicated. All work to comply with Building Regulations including structural steel to BS 5950.  
The sole purpose of this drawing is the procurement of Planning Permission and Building Regulation approval and work is NOT to commence before such approvals. Where this drawing is used for the works full specifications should be agreed with the tenderer to include heating, plumbing & other services where required. Heating work or other appliances involving Gas should be carried out by a 'CORGT' approved contractor.



EAST ELEVATION



REVISION	DESCRIPTION	BY	DATE

**Salortia**  
 CHARTERED ARCHITECTS  
 Unit 26 Cygnus Business Centre, Dalmeier Road NW10 2XA  
 Tel: +44 (0)20 8451 7833 +44 (0)20 8451 3370  
 Fax: +44 (0)20 8451 3370  
 Email: l.vekar@salortia.co.uk website: www.salortia.co.uk

PROJECT  
 EXISTING WINDOWS - SURVEY -  
 MAIN HOUSE AT OSHWAL CENTRE  
 COOPERS LANE ROAD  
 NORTHAW HEARFORSHPHIRE EN9 4QG

DRAWING TITLE	
WINDOWS 12-13-14	
DATE	DRAWN BY
15.05.2015	DP
SCALE	CHECKED BY
VARIOUS@A1, VARIOUS-1/2@A3	LV
DRAWING NO.	REVISION
6842-58-P0	