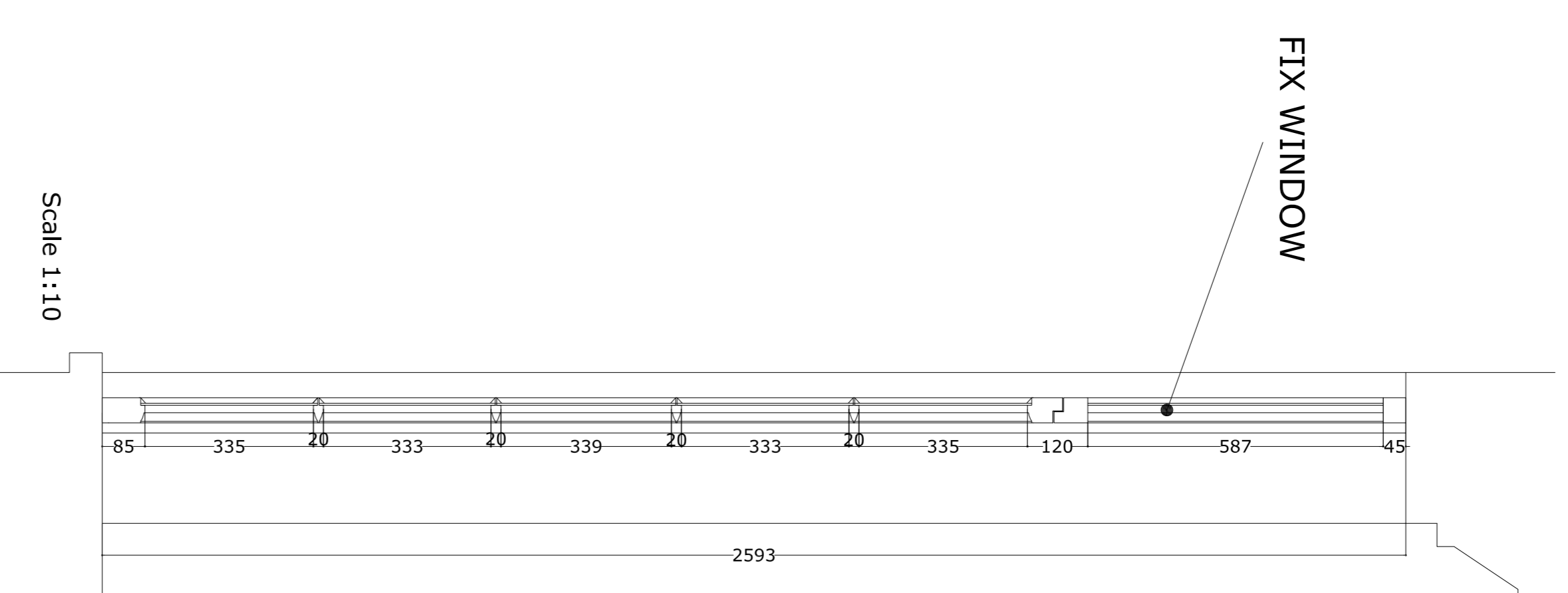
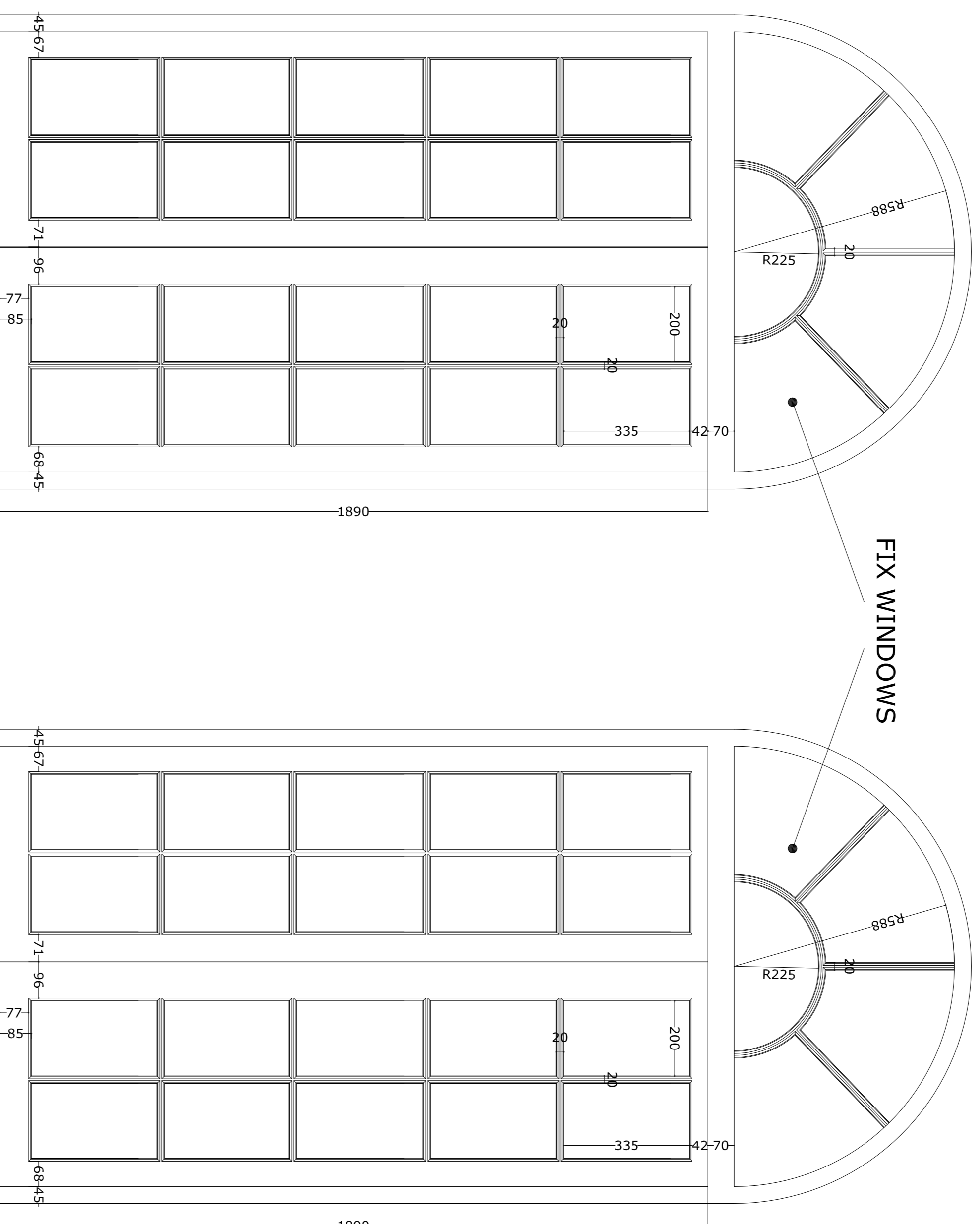


| WINDOW | SIDE | FLOOR | TYPE |
|--------|-------|--------|---------------|
| N. A&B | NORTH | GROUND | FRENCH WINDOW |

INSIDE ELEVATION
Scale 1:10

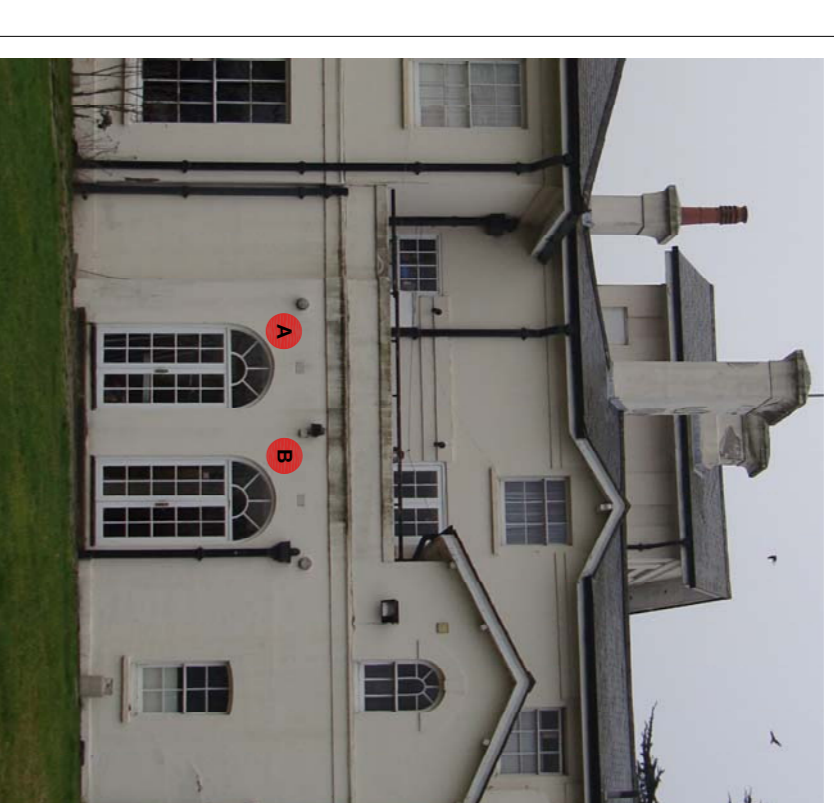


DW A&B

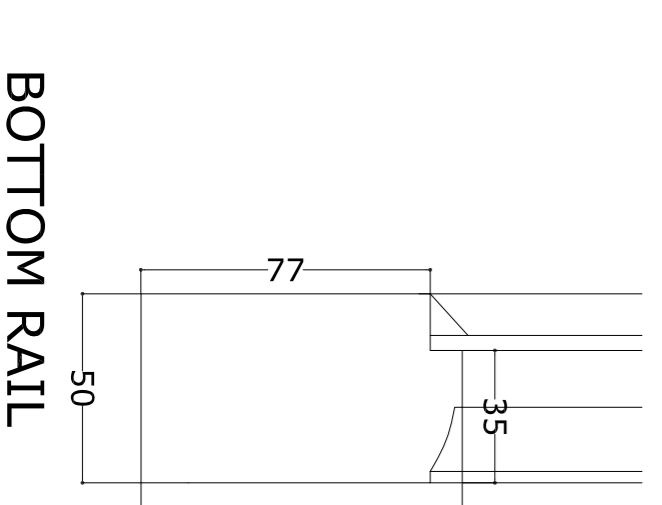
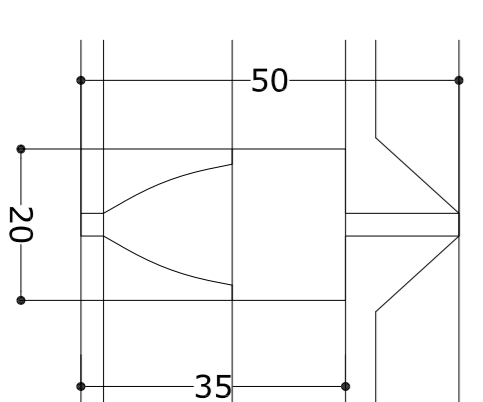
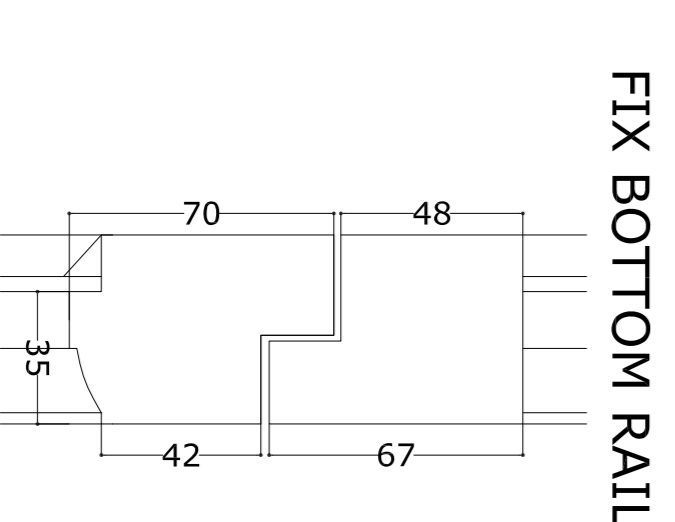
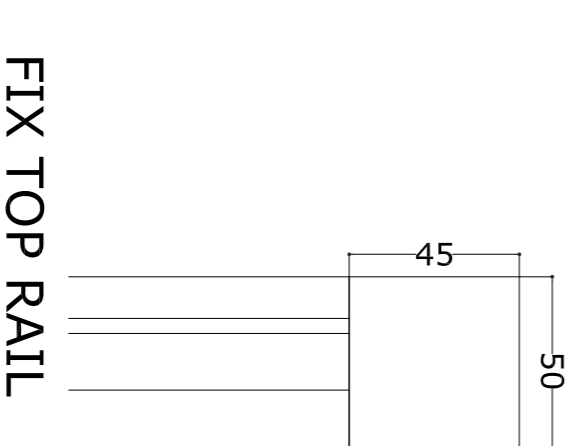
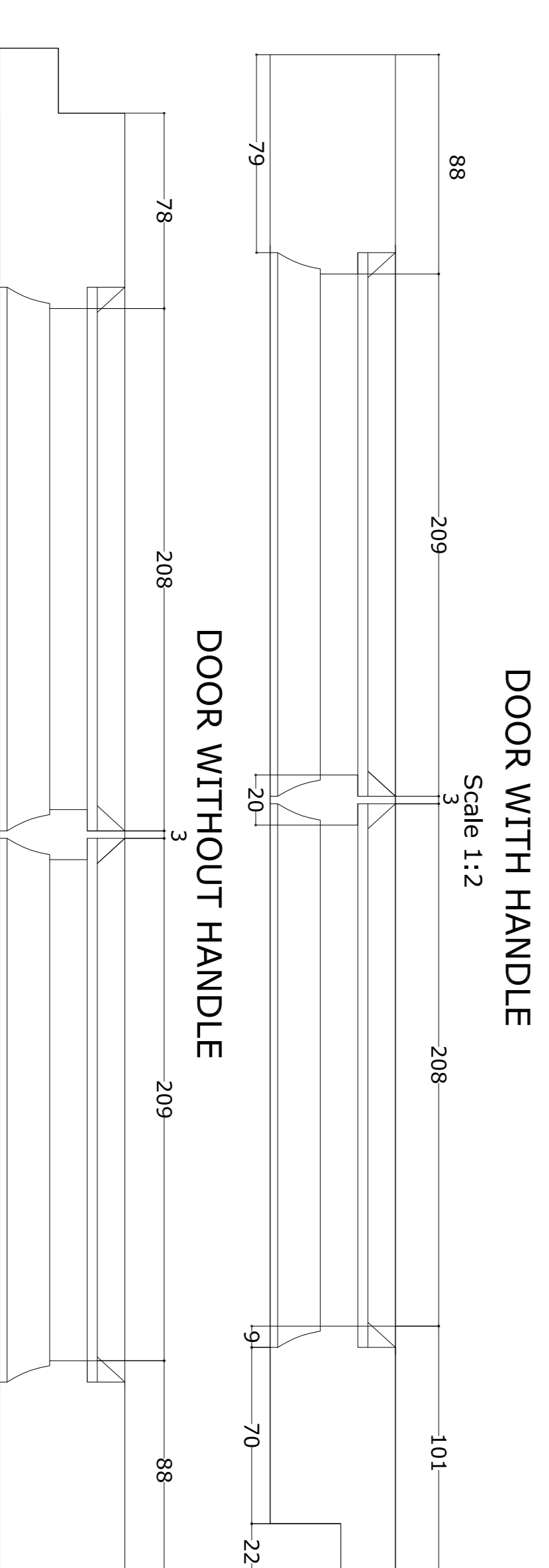


GENERAL NOTES

All dimensions to be checked on site and any discrepancy to be notified to the supervising officer. All work to be carried out in accordance with the Building Regulations and amendments made in April 2022. The sole purpose of this drawing is the procurement of planning permission and Building Regulation approval and work is NOT to commence before such approvals. The contractor shall be responsible for the procurement of all necessary approvals and for the installation of the windows. All work should be carried out in accordance with the Building Regulations and amendments made in April 2022. The contractor shall be responsible for the installation of the windows. All work should be carried out by a 'CORGI' approved contractor.



EAST ELEVATION



| REVISION | DESCRIPTION | BY | DATE |
|----------|-------------|----|------|
| | | | |
| | | | |
| | | | |

Salortia
CHARTERED ARCHITECTS

Unit 26 Cynrus Business Centre, Dalmeier Road NW10 2XA
Tel: +44 (020) 8451 7333 +44 (020) 8459 9600
Fax: +44 (020) 8451 7331
Email: l.venkate@salortia.co.uk website: www.salortia.co.uk

PROJECT
EXISTING WINDOWS - SURVEY -
MAIN HOUSE AT OSHWAL CENTRE
COOPERS LANE ROAD
NORTHAW HEARTFORSHPHIRE ENG 4DG

DRAWING TITLE
FRENCH WINDOWS A-B

DATE **15.05.2015** DRAWN BY **DP**

SCALE **VARIOUS@A1 VARIOUS-1/2@A3** CHECKED BY **LV**

DRAWING NO. **6842-57-P0**