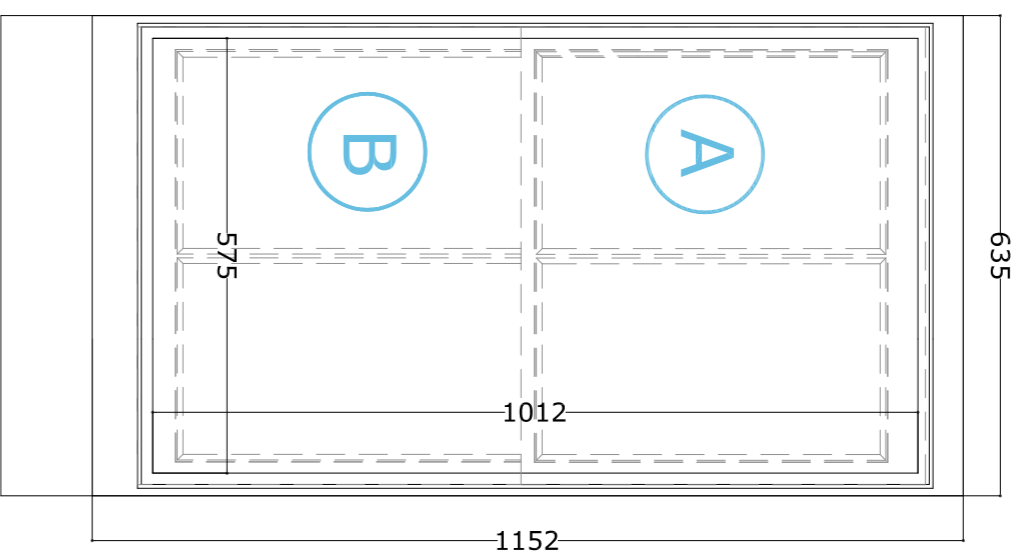
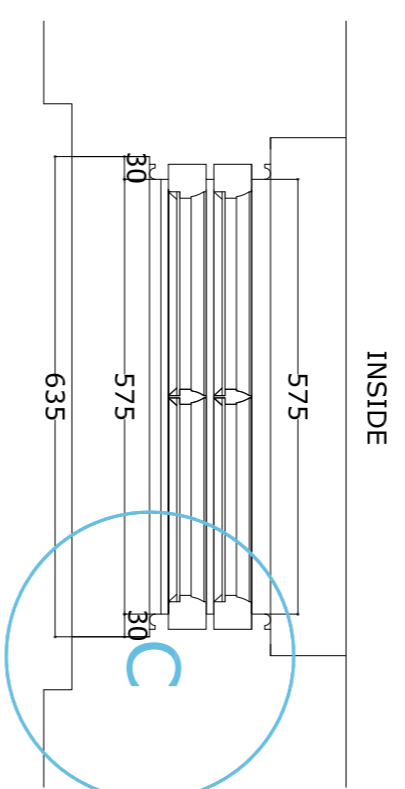
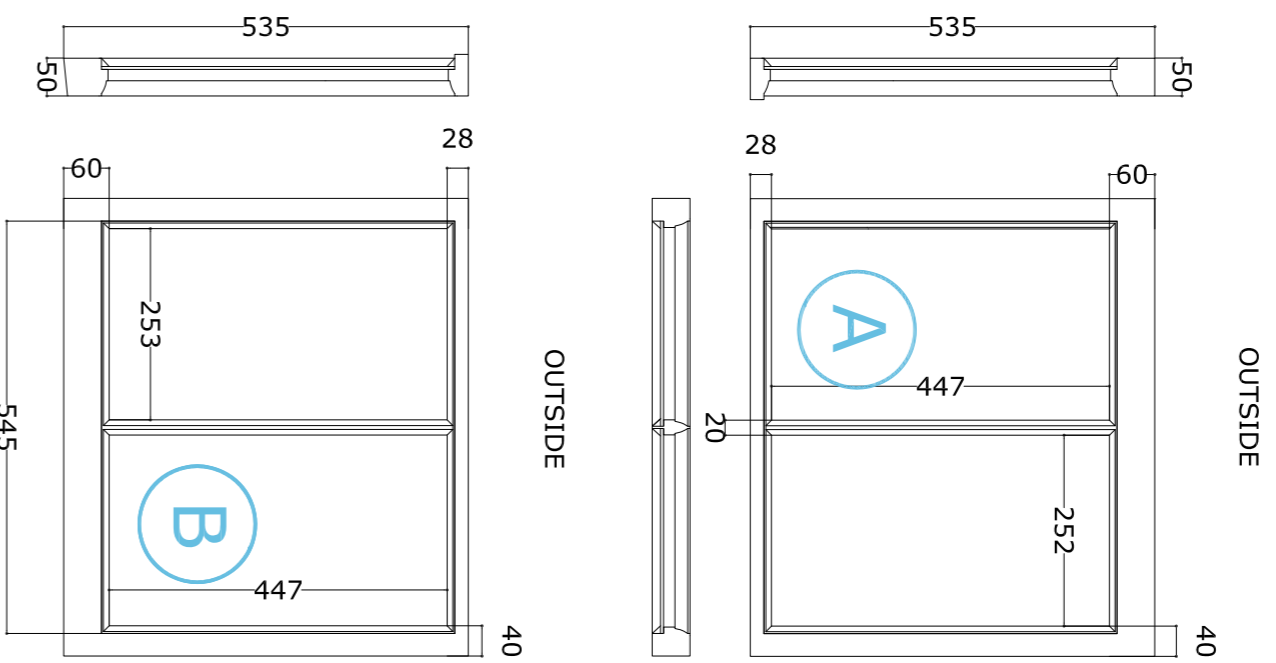


WINDOW	SIDE	FLOOR	TYPE
N.03	SOUTH	GROUND	SASH DOUBLE HUNG

OUTSIDE LININGS ELEVATION
Scale 1:10

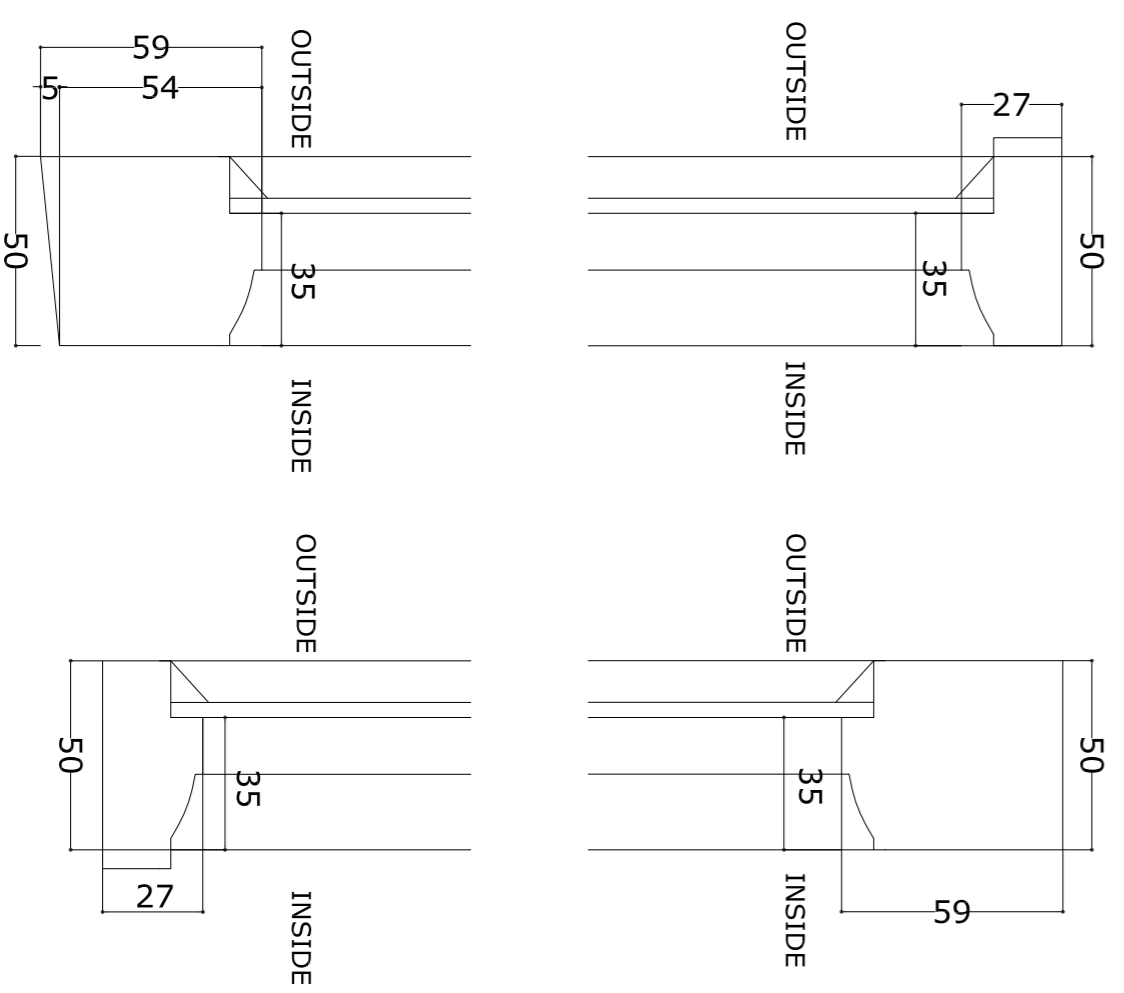


WINDOWS
Scale 1:10

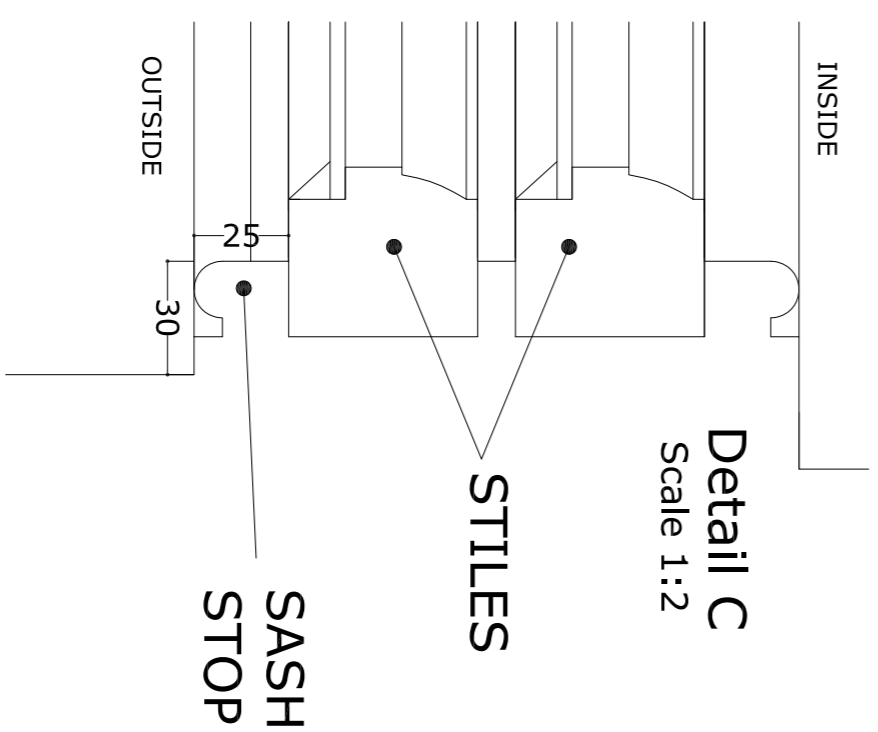


PLAN SECTION
Scale 1:10

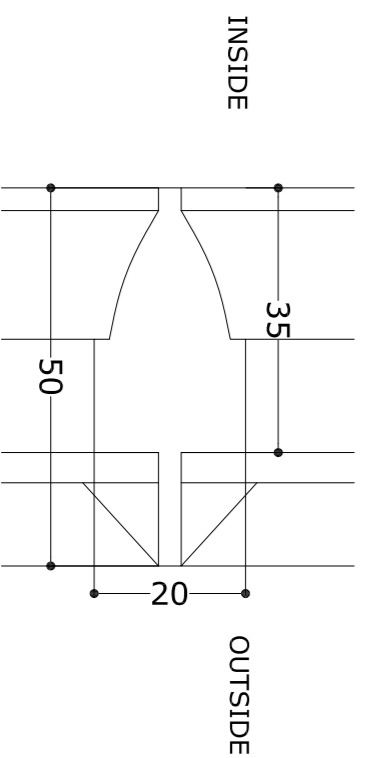
LOWER WINDOW UPPER WINDOW
Scale 1:2



Detail C
Scale 1:2



MUNTIN
Scale 1:1



W 03-04



W 03

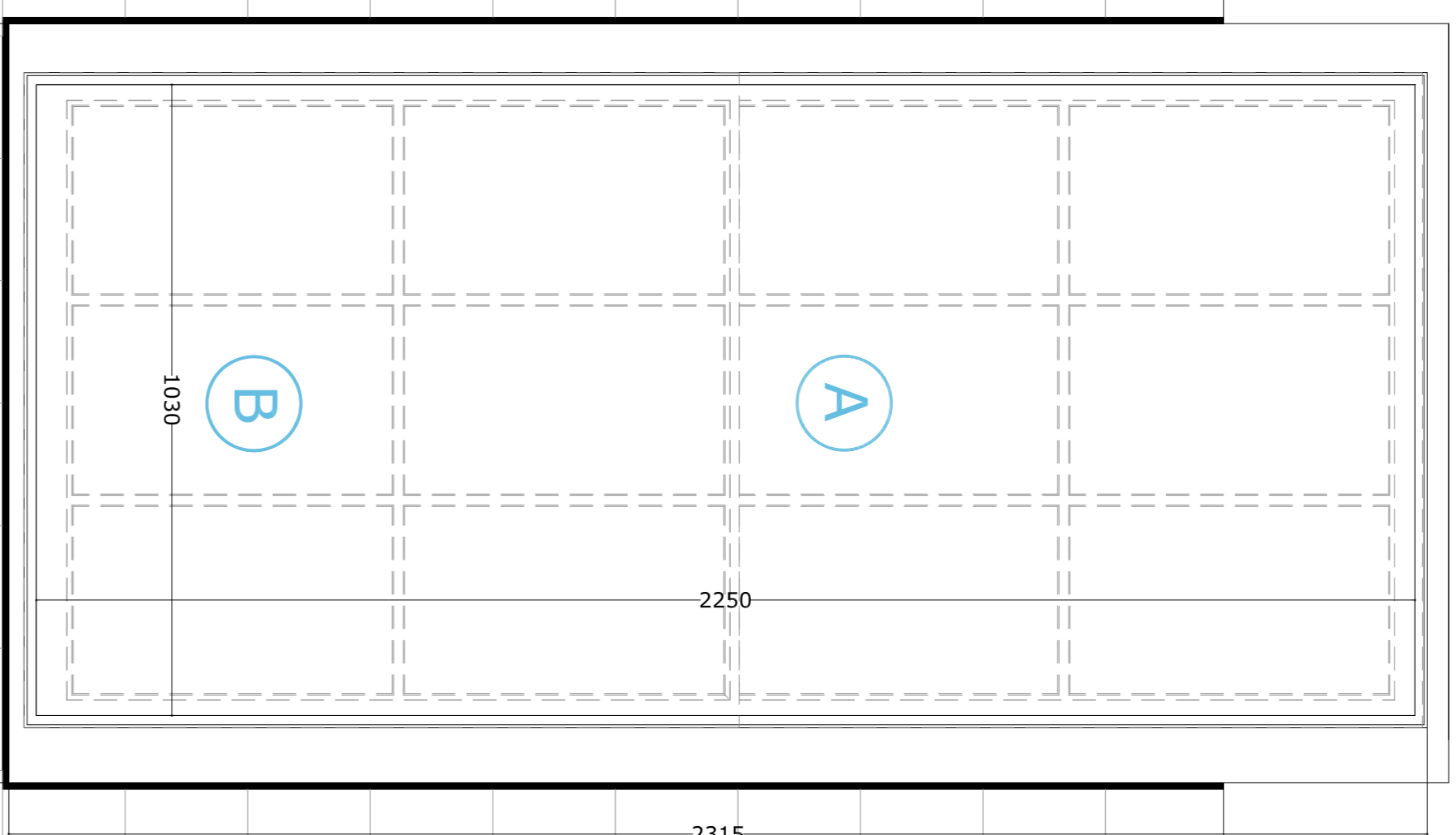


W 04

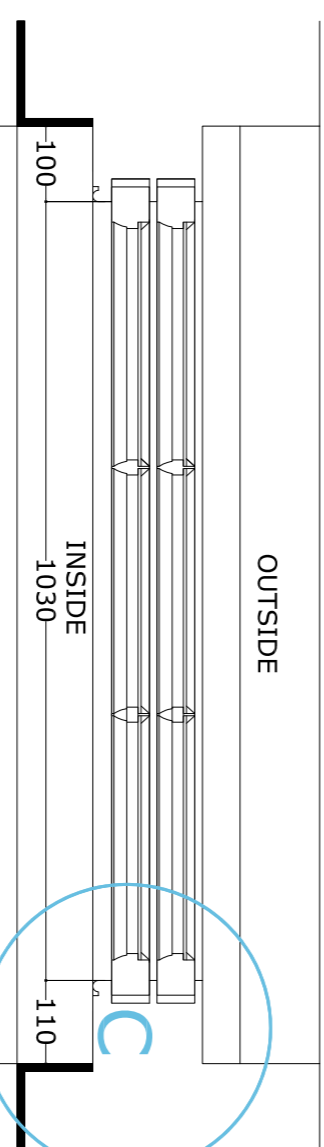
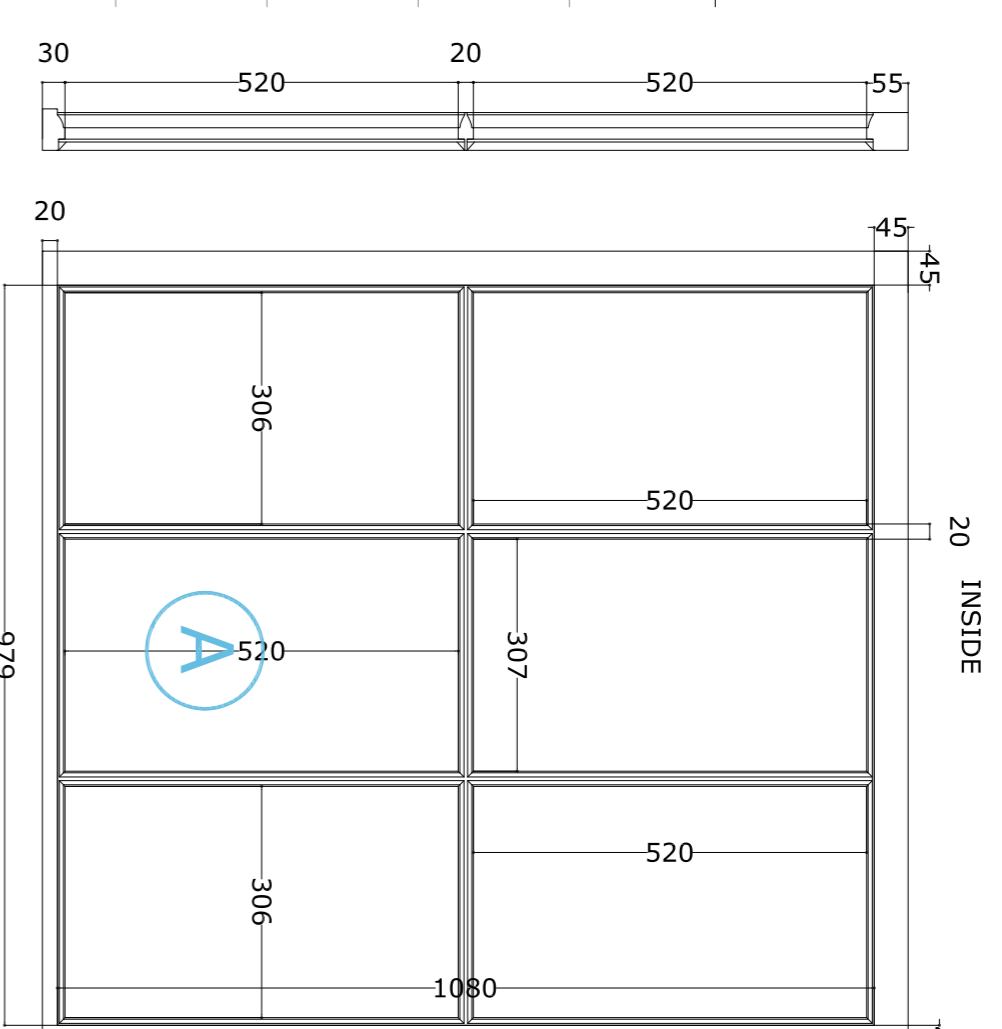


WINDOW	SIDE	FLOOR	TYPE
N.04	SOUTH	GROUND	SASH DOUBLE HUNG

INSIDE LININGS ELEVATION
Scale 1:10

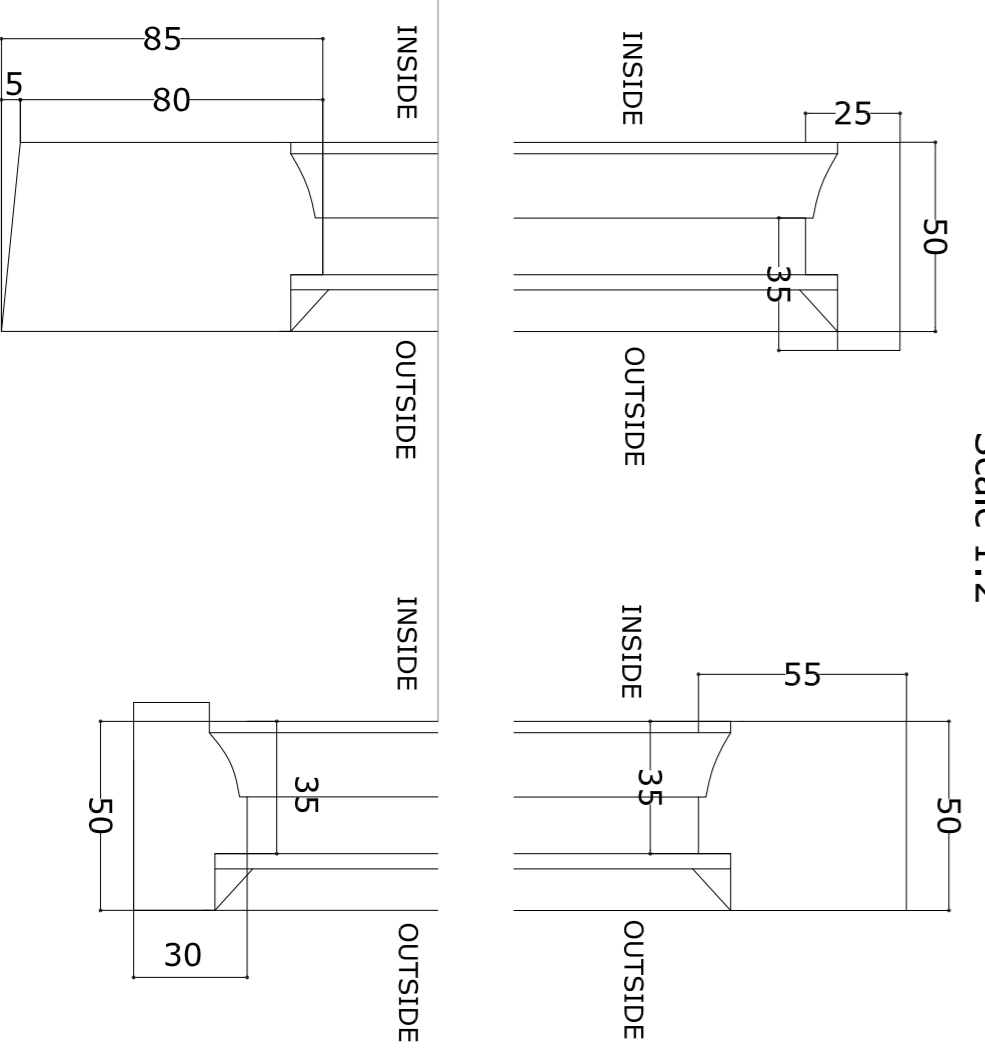


WINDOWS
Scale 1:10

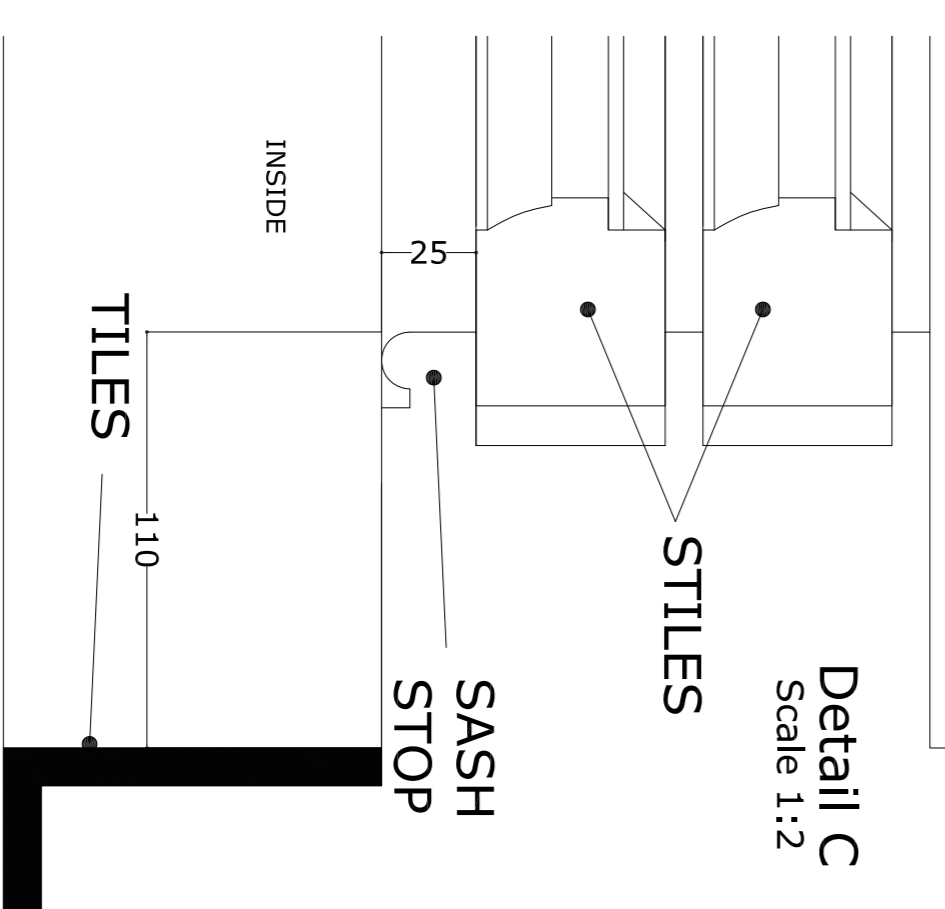


PLAN SECTION
Scale 1:10

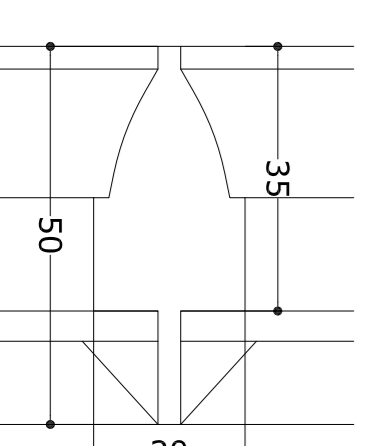
LOWER WINDOW UPPER WINDOW
Scale 1:2



Detail C
Scale 1:2

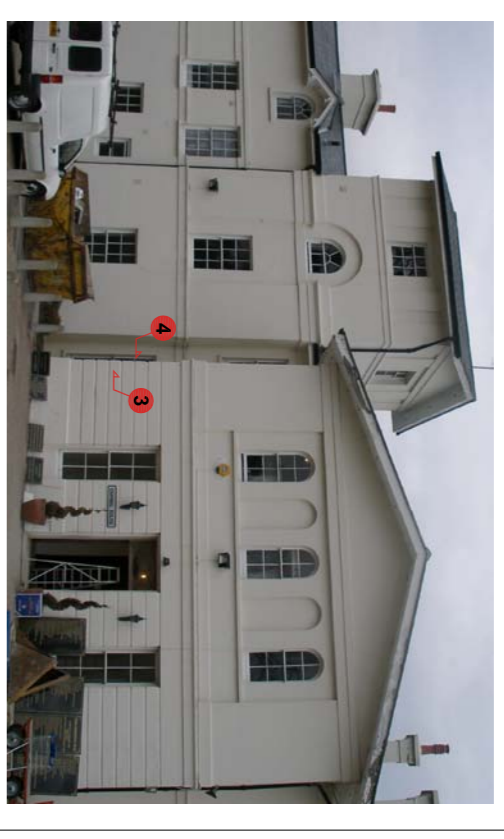


MUNTIN
Scale 1:1



GENERAL NOTES

All dimensions to be checked on site and any discrepancy to be notified to the supervising officer, scaled from the drawings for construction purposes unless otherwise indicated. All work is to comply with Building Regulations including amendments made in April 2012.
The sole purpose of this drawing is the procurement of Planning Permission and Building Regulation approval and work is NOT to commence before such approvals.
When the drawing is used for the work full specifications should be agreed with the tenderer to include Heating, Ventilation & other services where required.
Heating work or other appliances involving Gas should be carried out by a CORGEC approved contractor.



SOUTH ELEVATION



SOUTH ELEVATION

REVISION	DESCRIPTION	BY	DATE

Salortia
CHARTERED ARCHITECTS
Unit 26 Cygnus Business Centre, Dalmeier Road NW10 2XA
Tel: +44 (0)20 8451 7833 Fax: +44 (0)20 8451 3370
Email: l.vickerial@salortia.co.uk website: www.salortia.co.uk

EXISTING WINDOWS - SURVEY -
BLACK HOUSE AT OSWALD CENTRE
NORTHAVON HERITAGE PARISH
NORTHAVON HERITAGE PARISH EN6 4DG

DRAWING TITLE
WINDOWS 3-4

DATE	15.05.2015	DRAWN BY	DP
SCALE	VARIOUS@A1, VARIOUS-1/2@A3	CHECKED BY	LV
DRAWING NO.	6842-52-P0	REVISION	