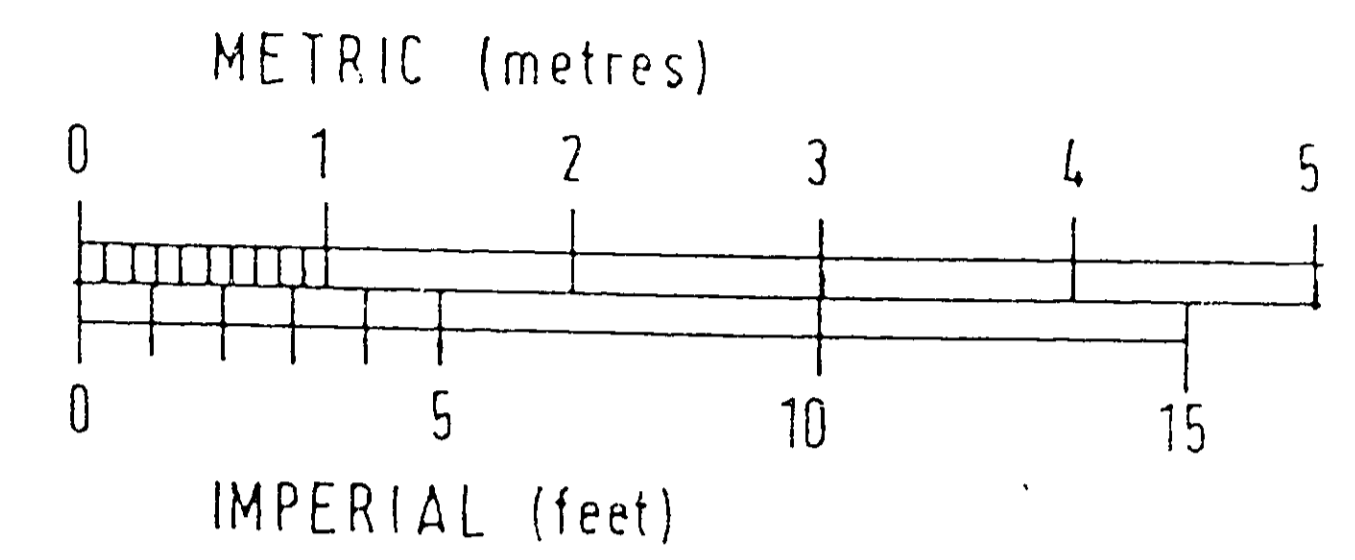
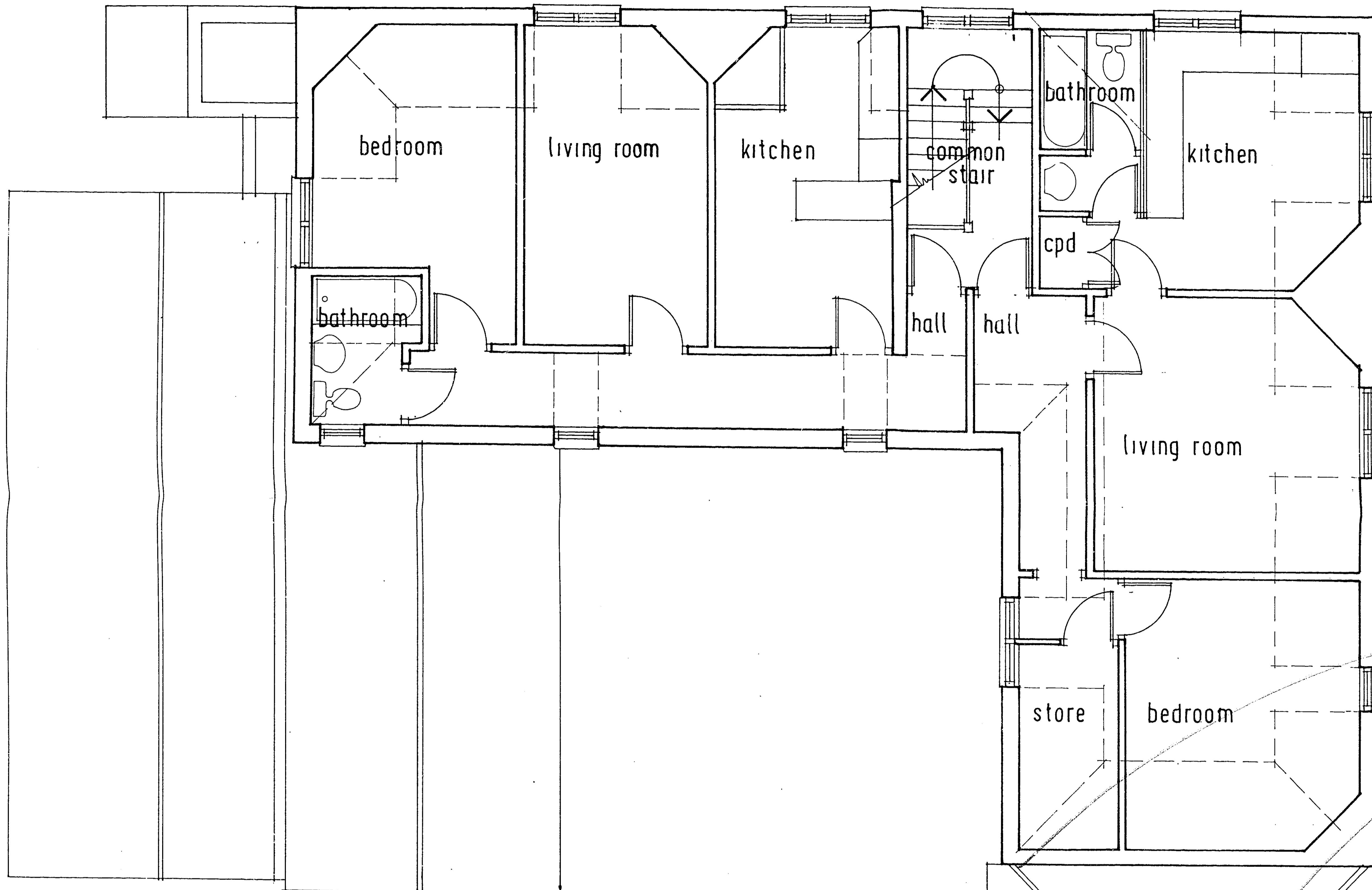


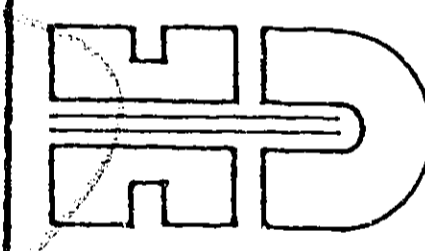
PLANNING FILES SHEPHERDS WAY, BROOKMANS PARK. S6/920/88 3/5

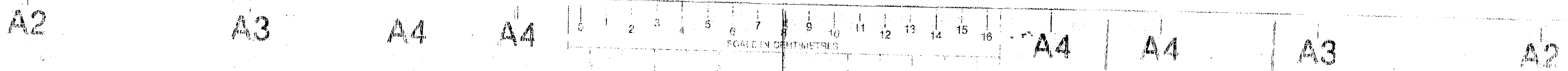
FLAT 1



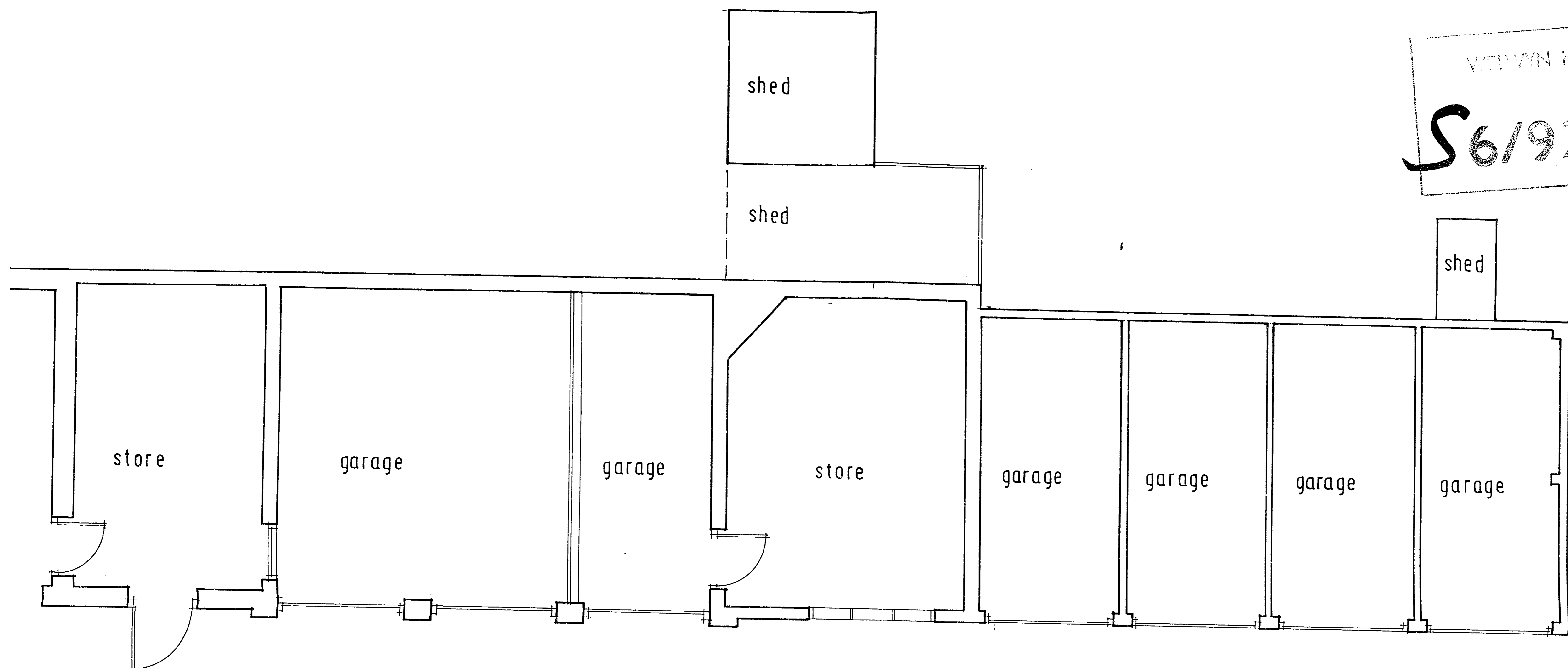
WELWYN HATFIELD D.C.
-5 SEP 1988
FLAT 2 **S6/920/88**

STABLE BLOCK
FIRST FLOOR PLAN

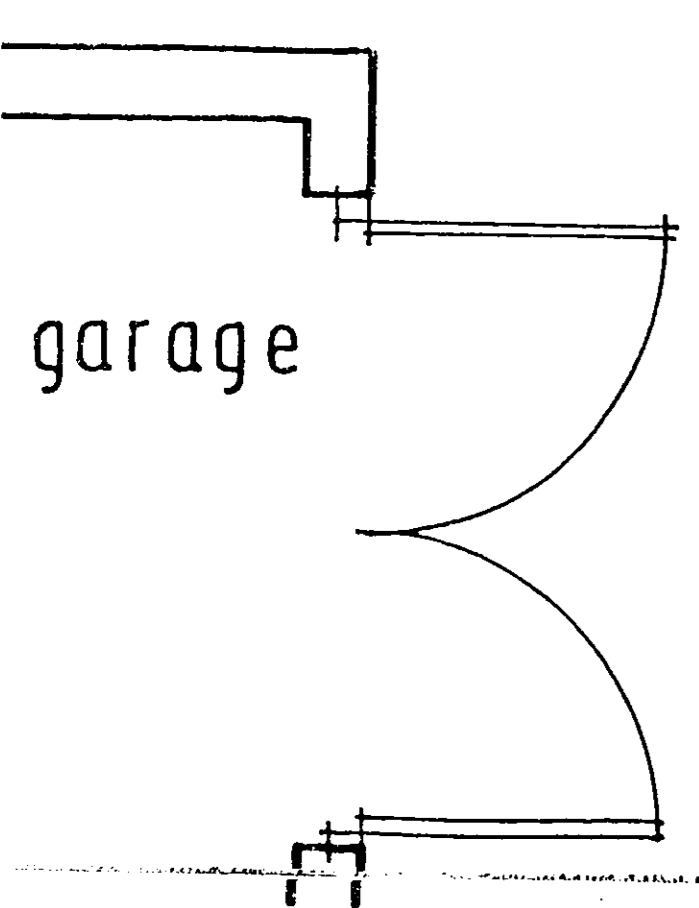
| | |
|--|---|
|  HERTFORDSHIRE DEVELOPMENTS LTD. 5, Port Hill Hertford Hertfordshire | |
| Queenswood DESIGN TEAM: | |
| Architect | Roger Carter Architects |
| Consultant | Robert Fawcett RIBA |
| Structural Engineer | Dr. Gareth Johnson PhD CEng MStructE |
| STAFF ACCOMMODATION As Existing First Floor Plan | |
| Date: AUGUST 1988 | Drawing No: |
| Scale: 1:50 | 670/33 |



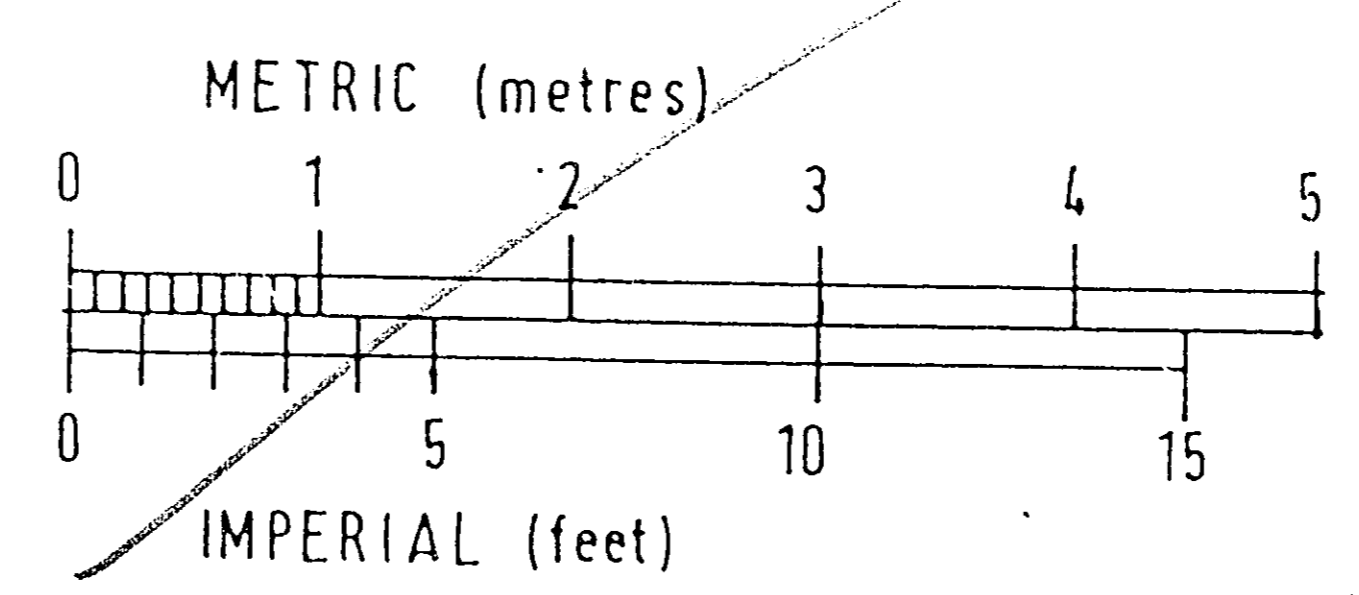
WELWYN HATFIELD D.C.
 -5 SEP 1988
S6/920/88



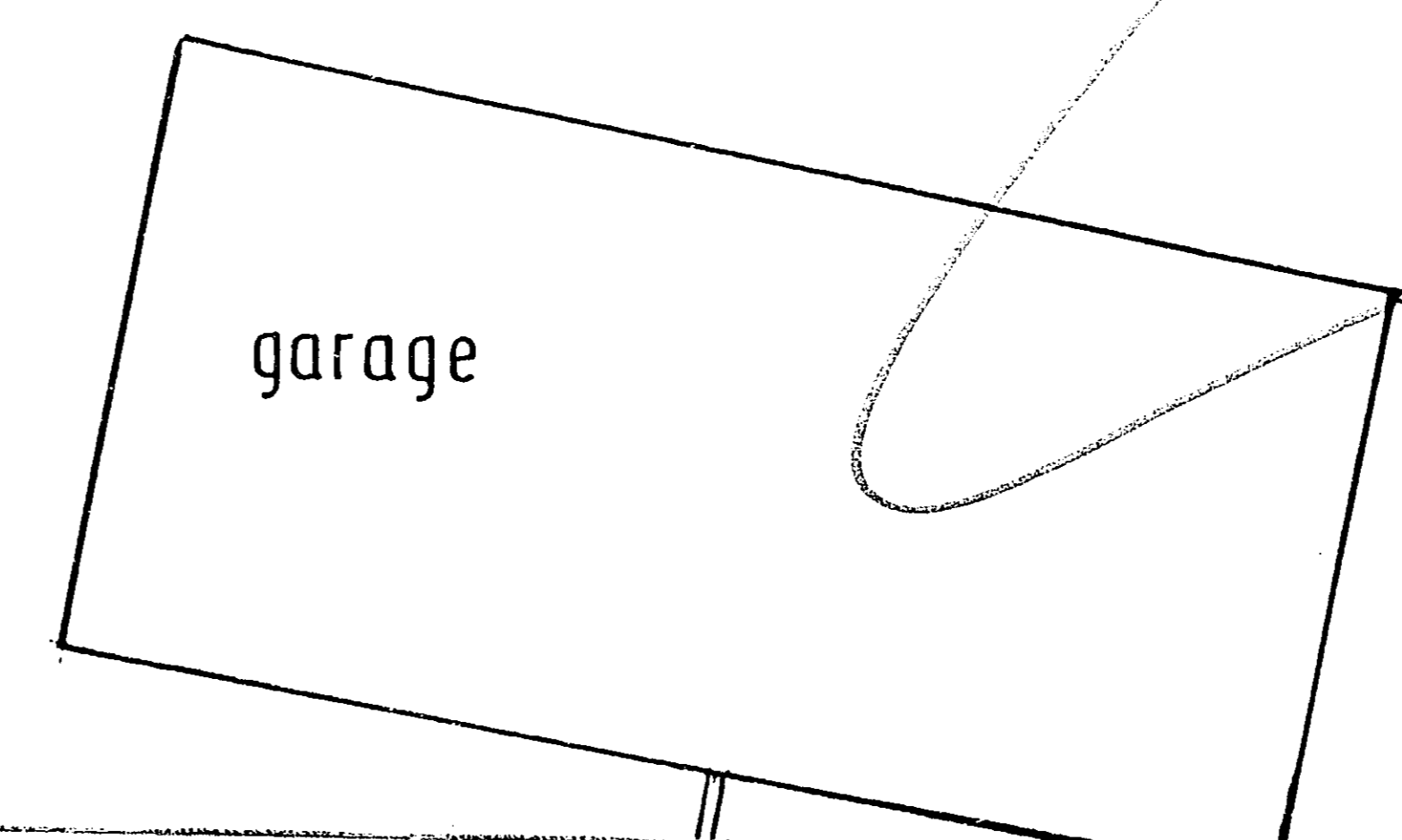
courtyard



STABLE BLOCK
 PART GROUND FLOOR PLAN

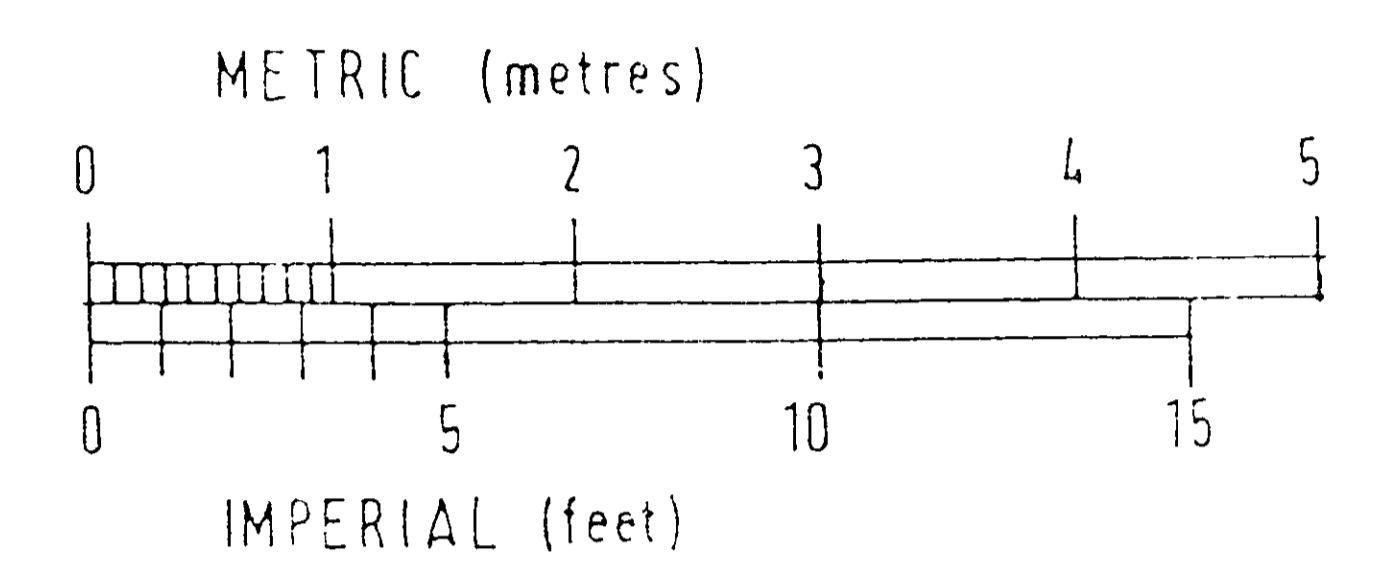
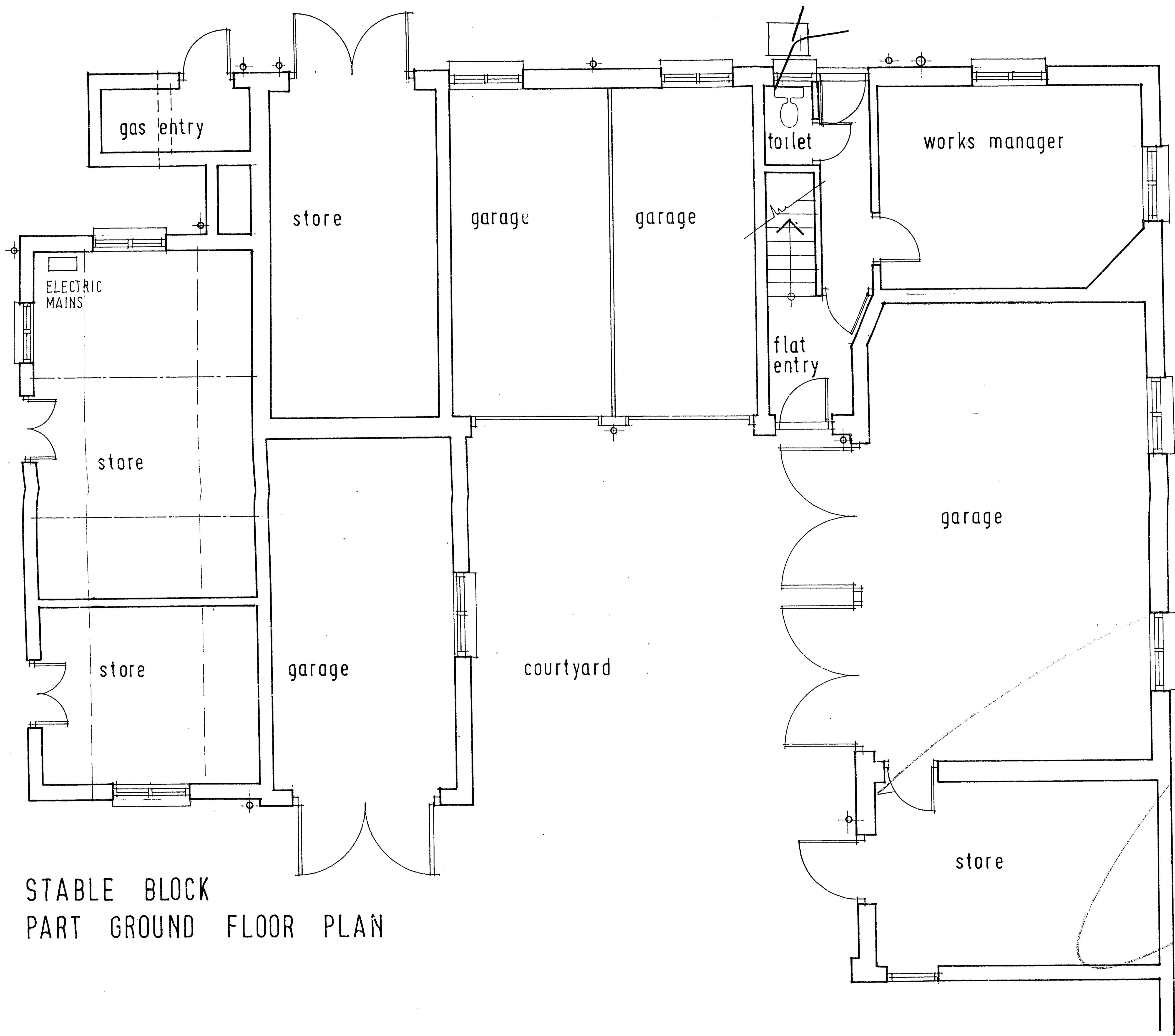


| | |
|--|---|
|  HERTFORDSHIRE DEVELOPMENTS LTD. 5, Port Hill Hertford Hertfordshire | |
| Queenswood  DESIGN TEAM: | |
| Architect | Roger Carter Architects |
| Consultant | Robert Fawcett RIBA |
| Structural Engineer | Dr. Gareth Johnson PhD CEng MStructE |
| STAFF ACCOMMODATION As Existing Part Ground Floor Plan | |
| Date: AUGUST 1988 | Drawing No: |
| Scale: 1:50 | 670/32 |



A2 A3 A4 A4 0 1 2 3 4 5 6 7 8 9 10 11 12 13 14 15 16 A4 A4 A3 A2

electrical store



WELWY
-5 SEP 1988
S6/920/88

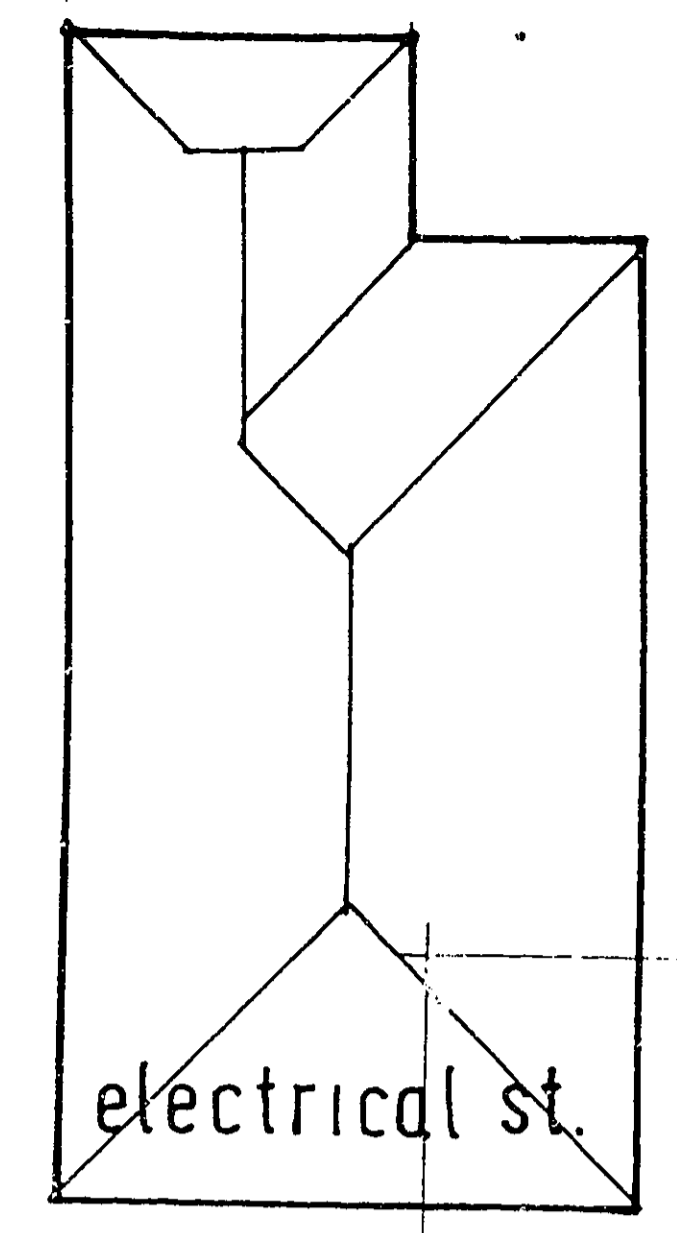
| | |
|--|---|
| HD | |
| HERTFORDSHIRE DEVELOPMENTS LTD. | |
| 5, Port Hill Hertford Hertfordshire | |
| Queenswood | |
| DESIGN TEAM: | |
| Architect | Roger Carter Architects |
| Consultant | Robert Fawcett RIBA |
| Structural Engineer | Dr. Gareth Johnson PhD CEng MStructE |
| STAFF ACCOMMODATION | |
| As Existing Part Ground Floor Plan | |
| Date: AUGUST 1988 | Drawing No: |
| Scale: 1:50 | 670/31 |

STABLE BLOCK
PART GROUND FLOOR PLAN

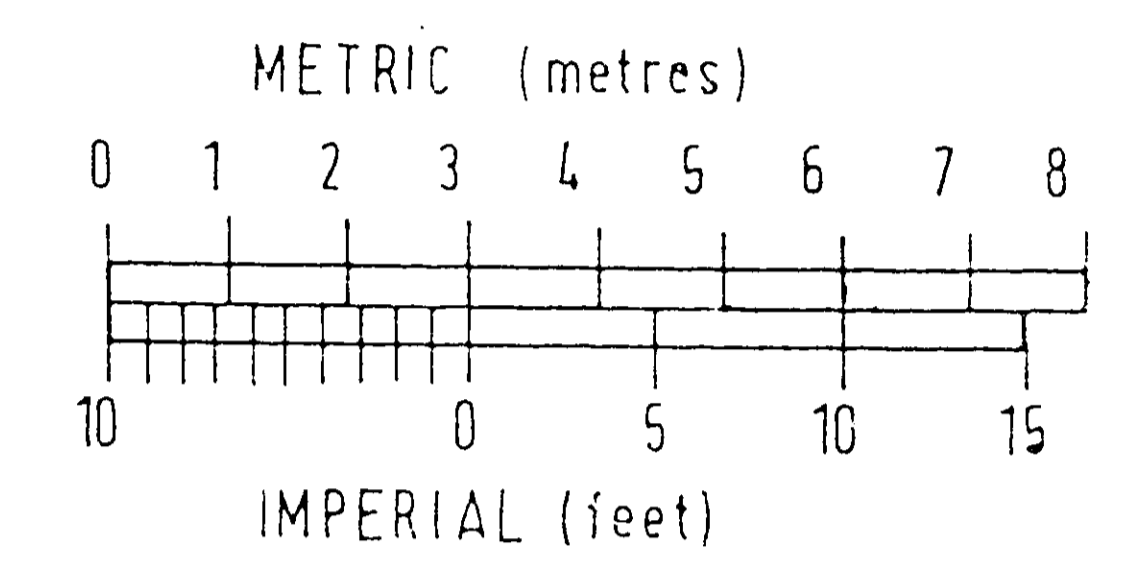
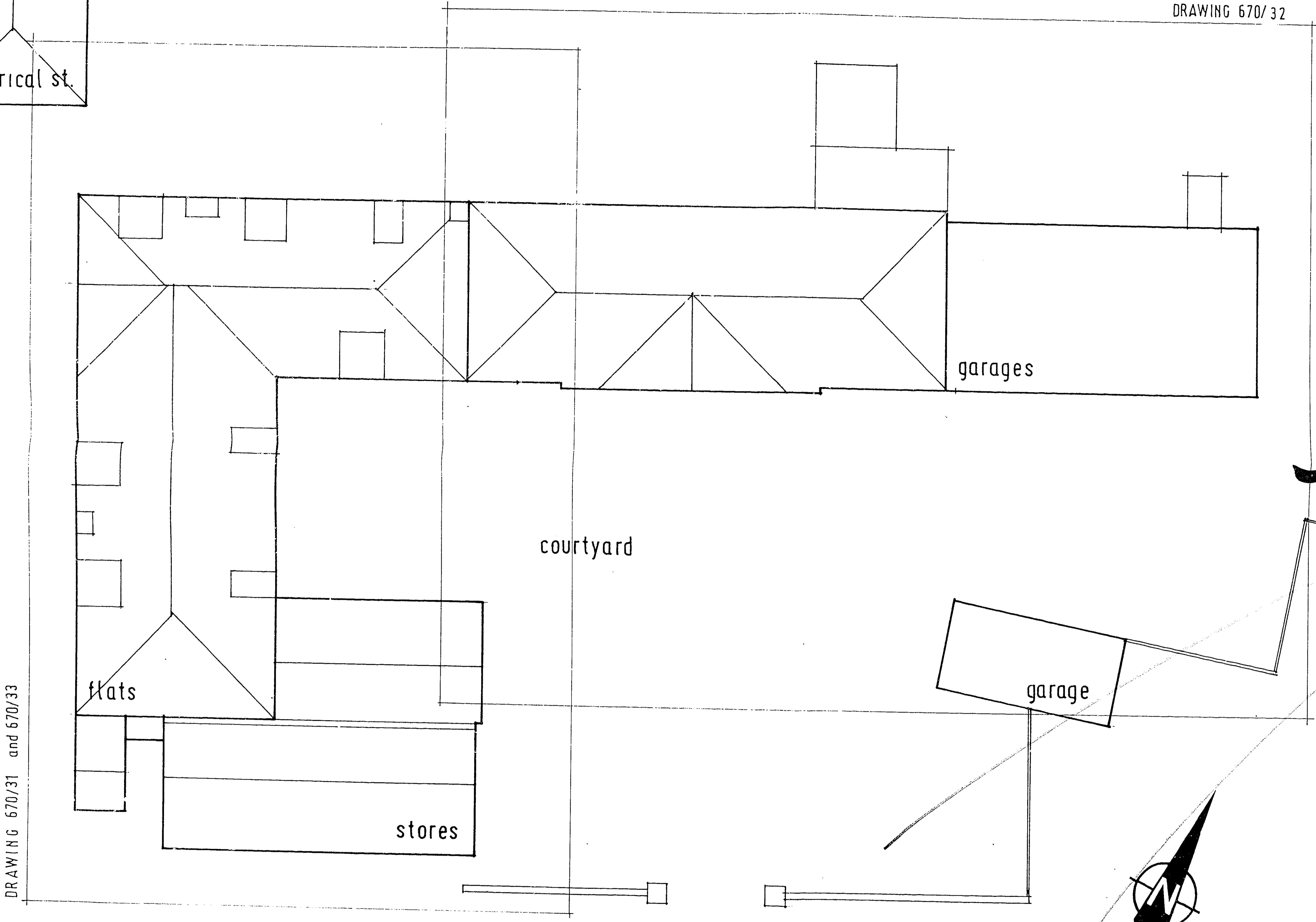
A2 A3 A4 A4 0 1 2 3 4 5 6 7 8 9 10 11 12 13 14 15 16 A4 A4 A3 A2

SCALE IN CENTIMETRES

DRAWING 670/32



electrical st.



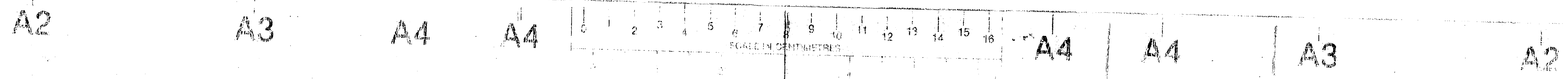
WELWYN HATFIELD D.C.
-5 SEP 1988

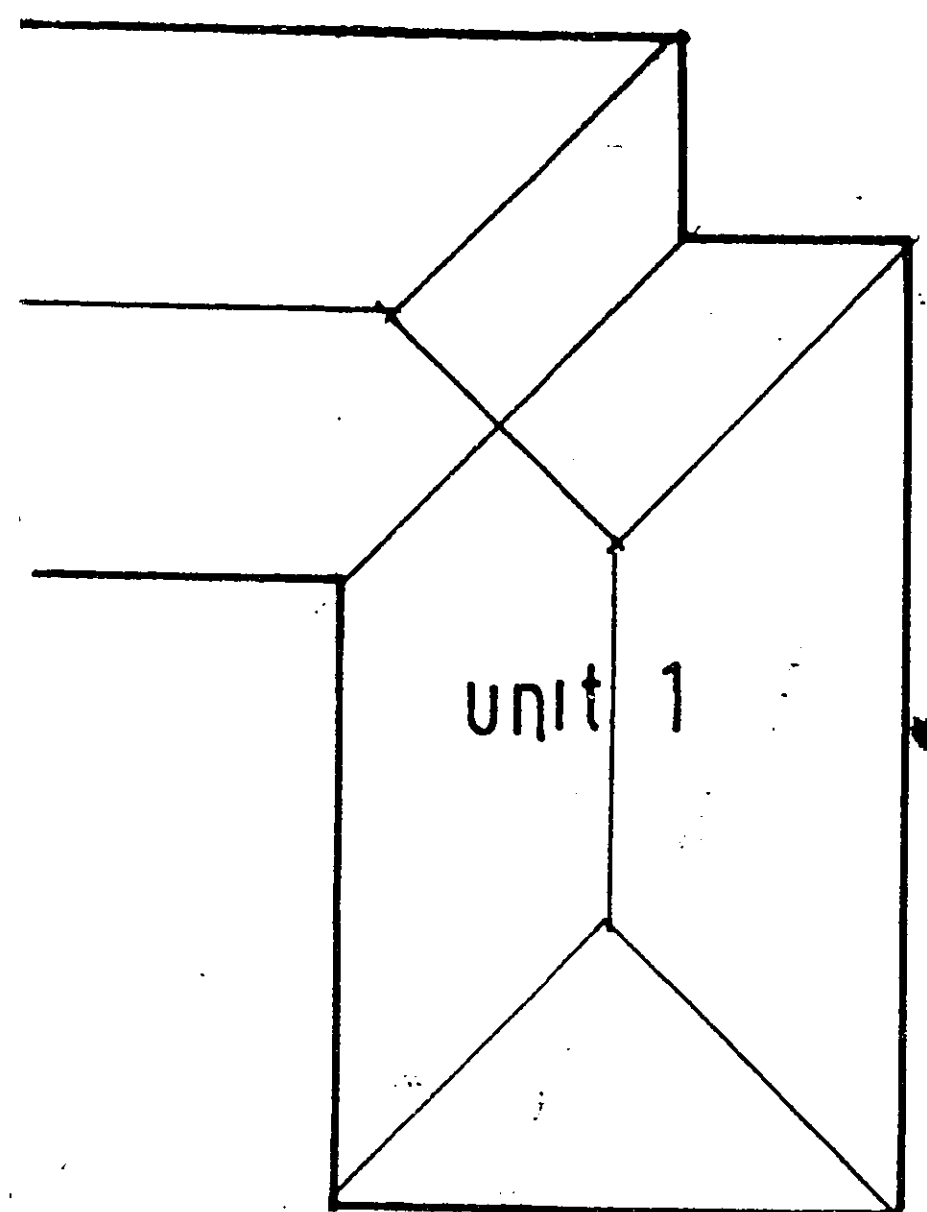
56/920/88

DRAWING 670/31 and 670/33

STABLE BLOCK
OVERALL LAYOUT as EXISTING

| | |
|--|---|
| | |
| HERTFORDSHIRE DEVELOPMENTS LTD. 5, Port Hill Hertford Hertfordshire | |
| Queenswood | |
| DESIGN TEAM: | |
| Architect | Roger Carter Architects |
| Consultant | Robert Fawcett RIBA |
| Structural Engineer | Dr. Gareth Johnson PhD CEng MStructE |
| STAFF ACCOMMODATION Block Plan Existing Layout | |
| Date: AUGUST 1988 | Drawing No: |
| Scale: 1:100 | 670/30 |

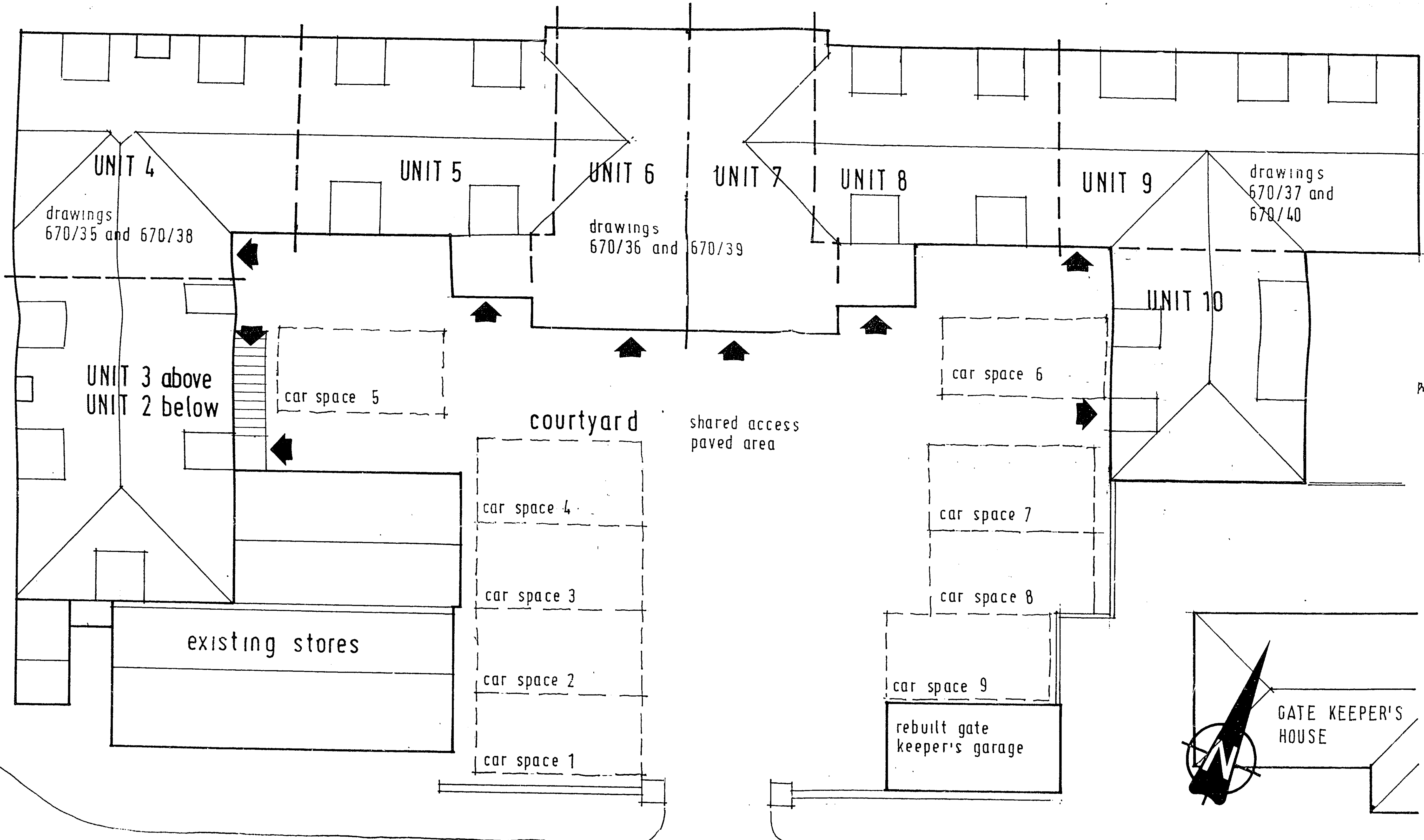




garden area

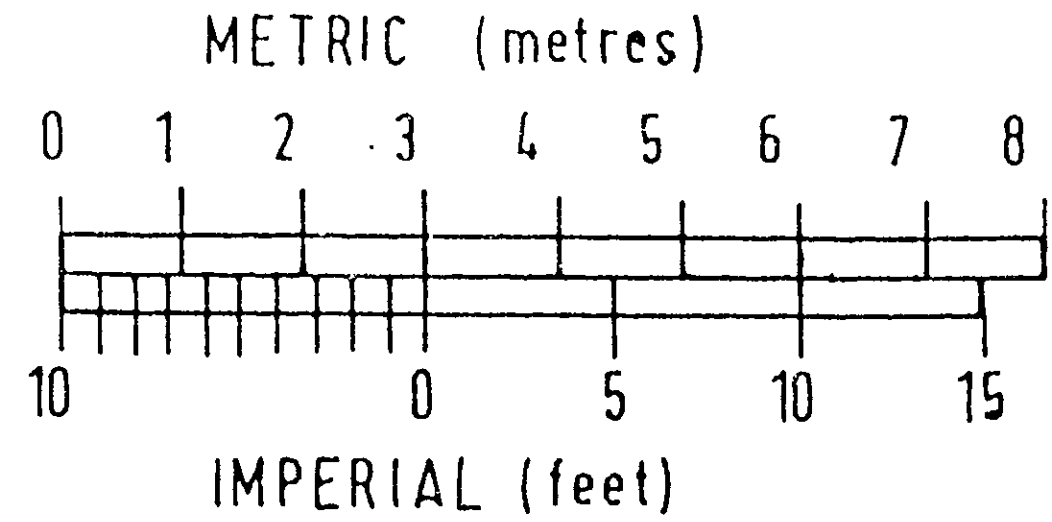
S 6/82/88

see drawing 670/44

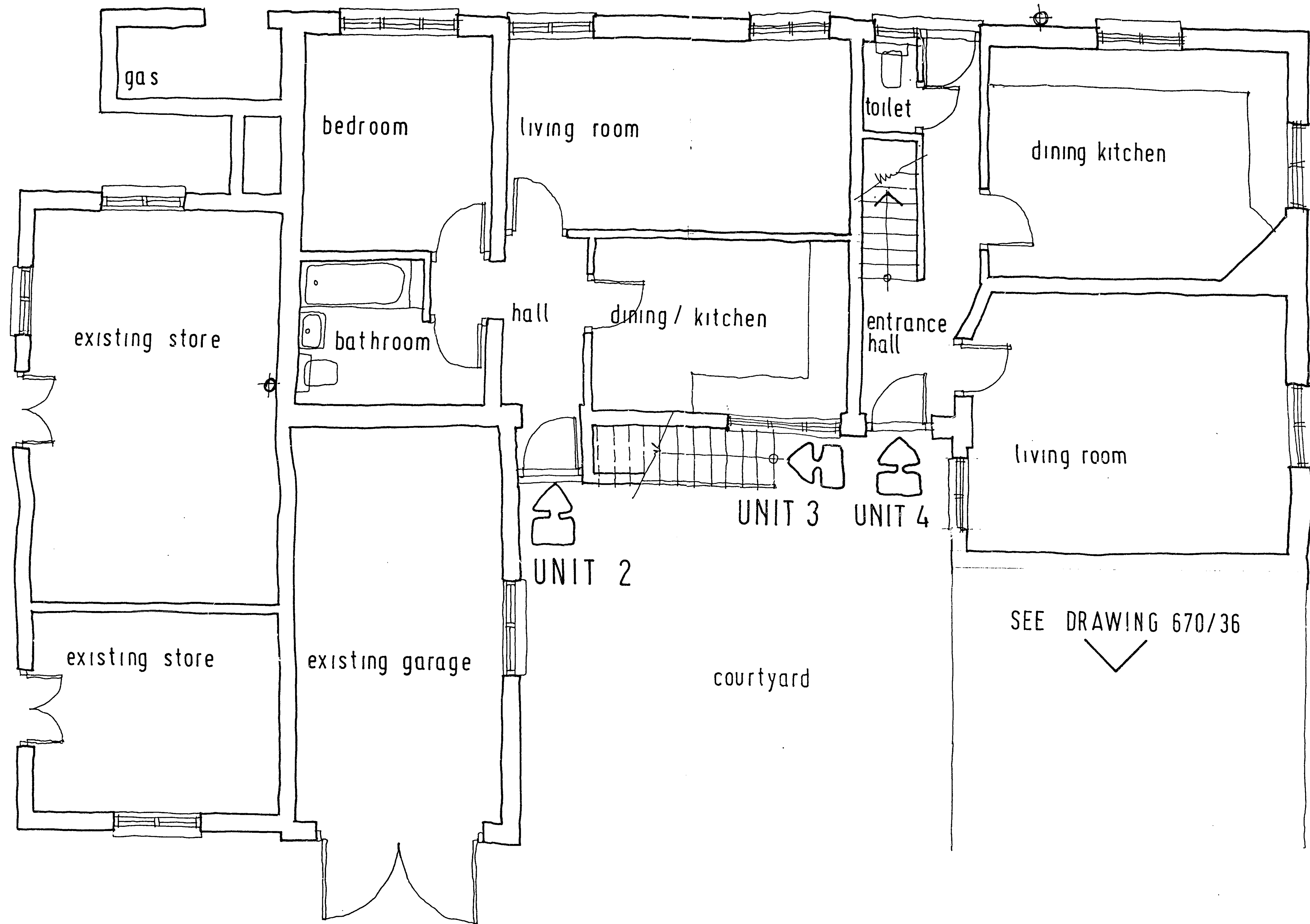


REV A OCT 88 AMENDED LAYOUT

PROPOSED OVERALL LAYOUT



| | |
|--|---|
|  HERTFORDSHIRE DEVELOPMENTS LTD. 5, Port Hill Hertford Hertfordshire | |
| Queenswood  DESIGN TEAM: | |
| Architect | Roger Carter Architects |
| Consultant | Robert Fawcett RIBA |
| Structural Engineer | Dr. Gareth Johnson PhD CEng MStructE |
| STAFF ACCOMMODATION Alteration and Extension Overall Layout | |
| Date: AUGUST 1988 | Drawing No: |
| Scale: 1:100 | 670/34 A |



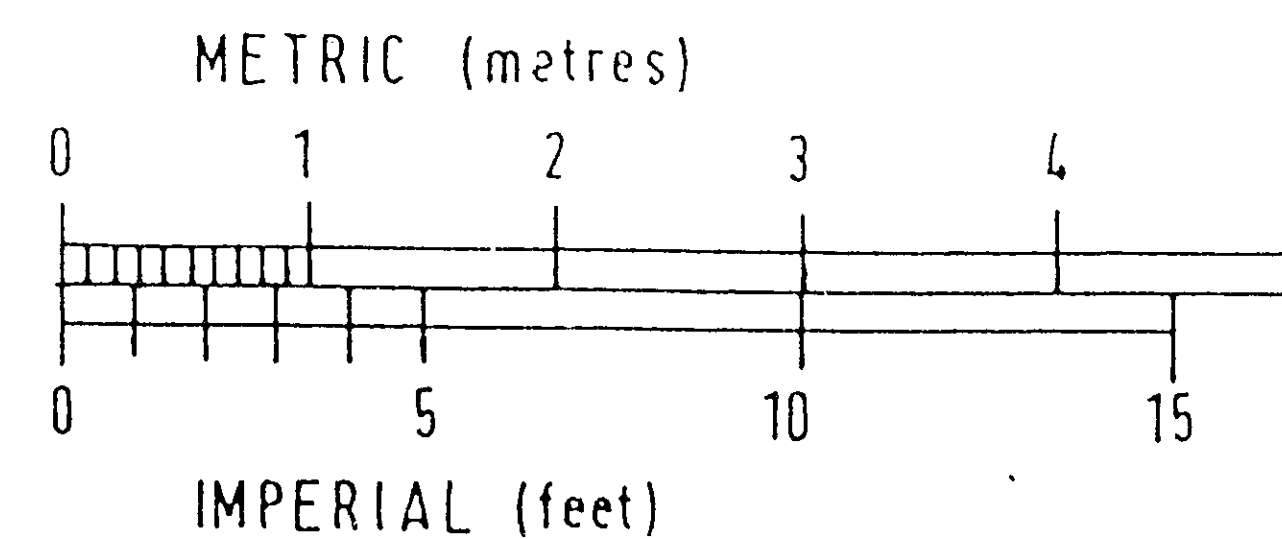
S

UNIT 4
ground floor

REV A OCT. 1988 LAYOUT AMENDED - UNIT 1 DELETED

SEE DRAWING 670/36

PROPOSED GROUND FLOOR PLAN
WEST END



| | |
|--|---|
|  HERTFORDSHIRE DEVELOPMENTS LTD. 5, Port Hill Hertford Hertfordshire | |
| Queenswood  DESIGN TEAM: | |
| Architect | Roger Carter Architects |
| Consultant | Robert Fawcett RIBA |
| Structural Engineer | Dr. Gareth Johnson PhD CEng MStructE |
| STAFF ACCOMMODATION Alterations and Extensions Part Proposed Ground Floor | |
| Date: AUGUST 1988 | Drawing No: |
| Scale: 1:50 | 670/35 |
| | A |