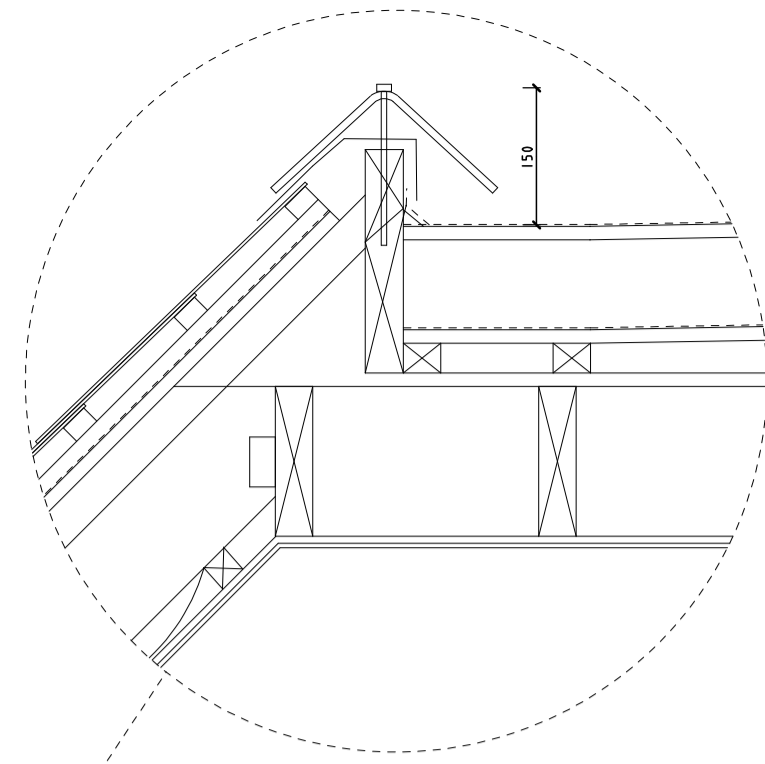
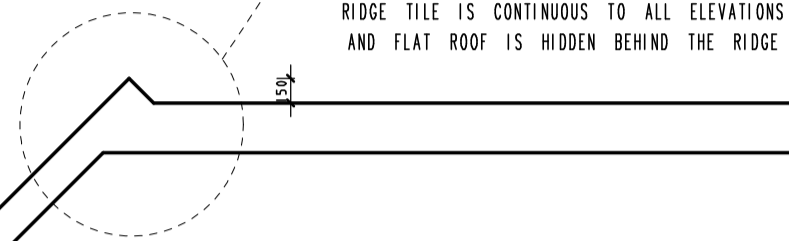


THIS DETAIL WILL BE APPLIED TO ALL SIX HOUSES

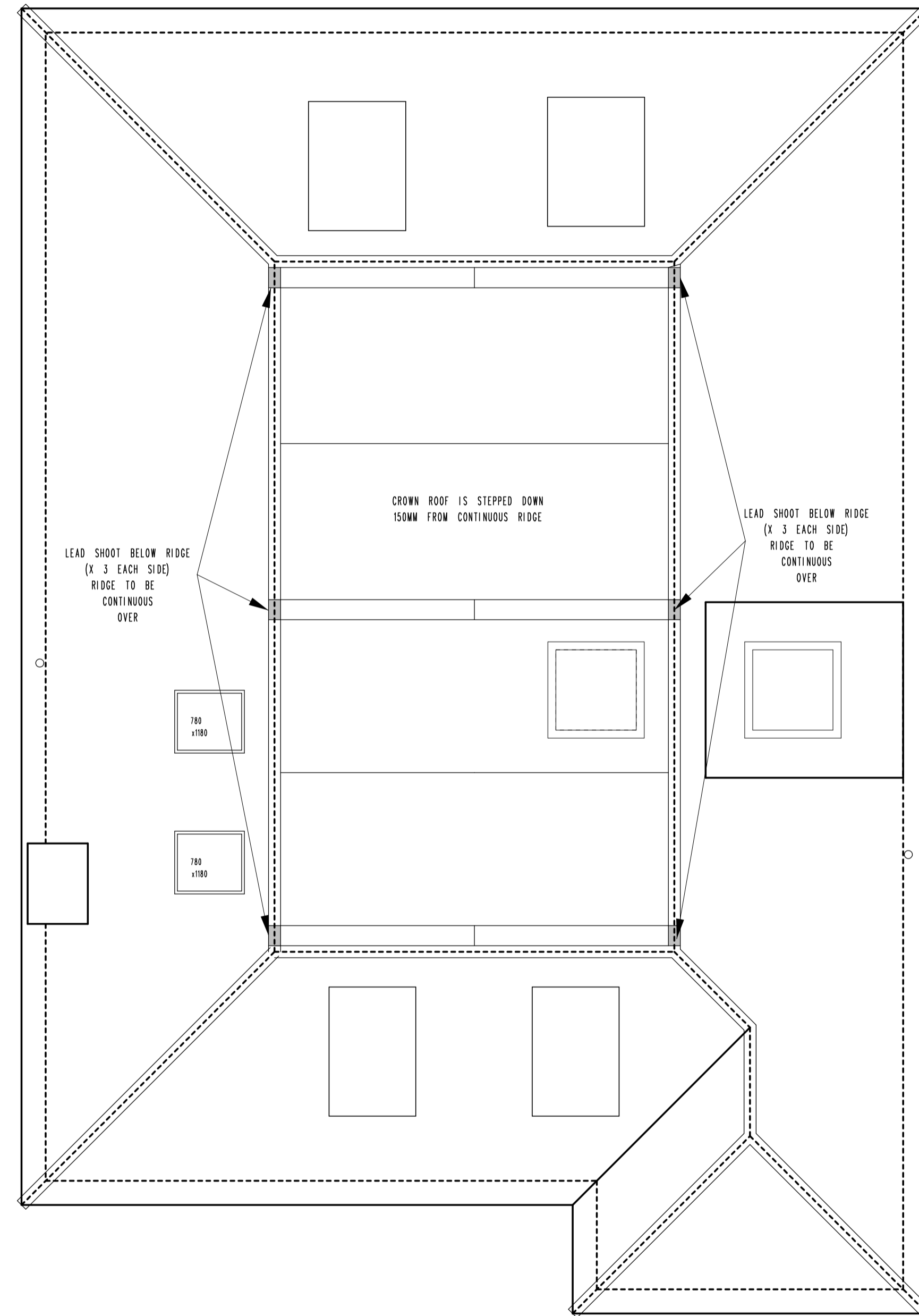
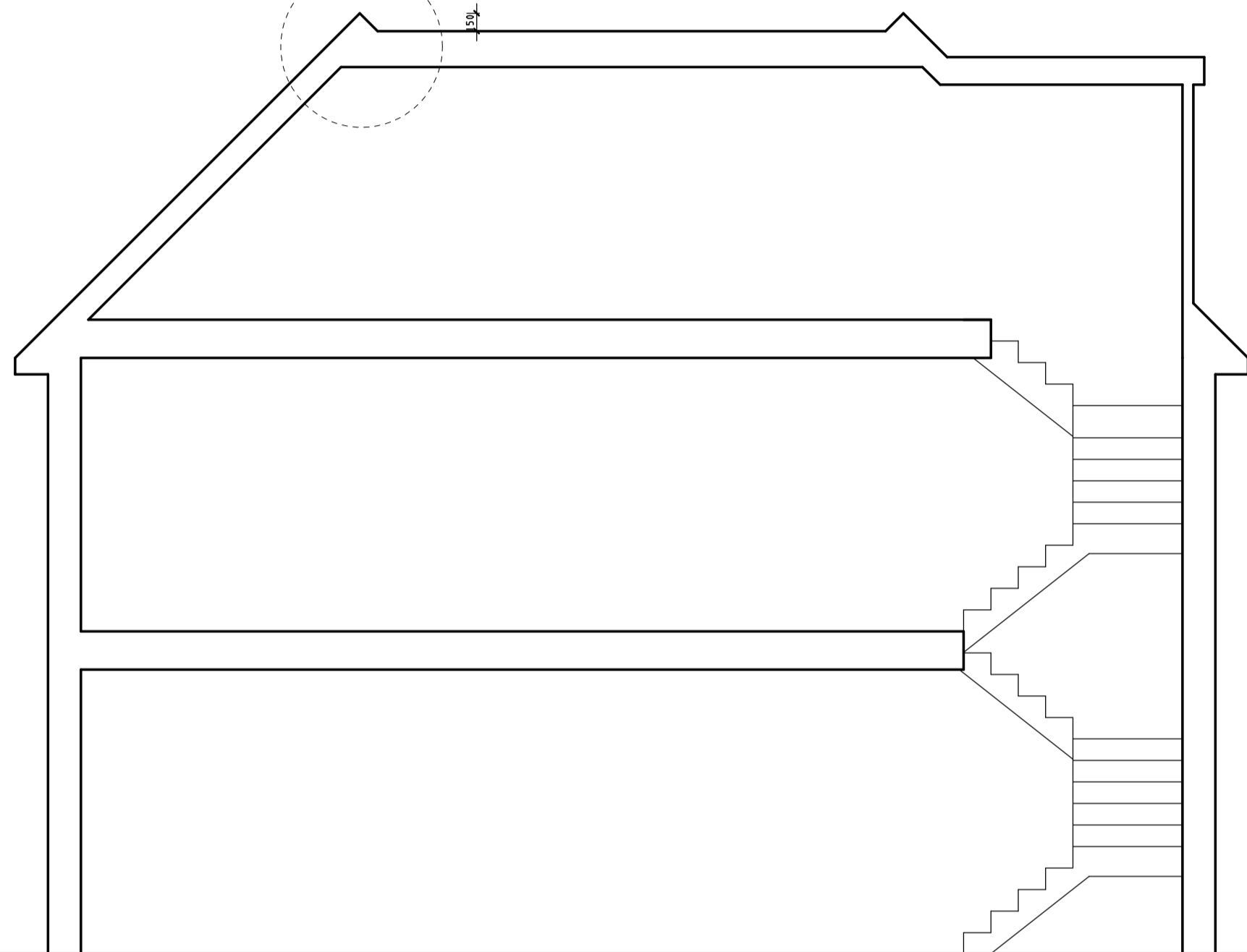
PLANNING



RIDGE TILE IS CONTINUOUS TO ALL ELEVATIONS AND FLAT ROOF IS HIDDEN BEHIND THE RIDGE



RIDGE TILE IS CONTINUOUS TO ALL ELEVATIONS AND FLAT ROOF IS HIDDEN BEHIND THE RIDGE



LEAD SHOOT BELOW RIDGE (X 3 EACH SIDE) RIDGE TO BE CONTINUOUS OVER

CROWN ROOF IS STEPPED DOWN 150MM FROM CONTINUOUS RIDGE

LEAD SHOOT BELOW RIDGE (X 3 EACH SIDE) RIDGE TO BE CONTINUOUS OVER

780 x180

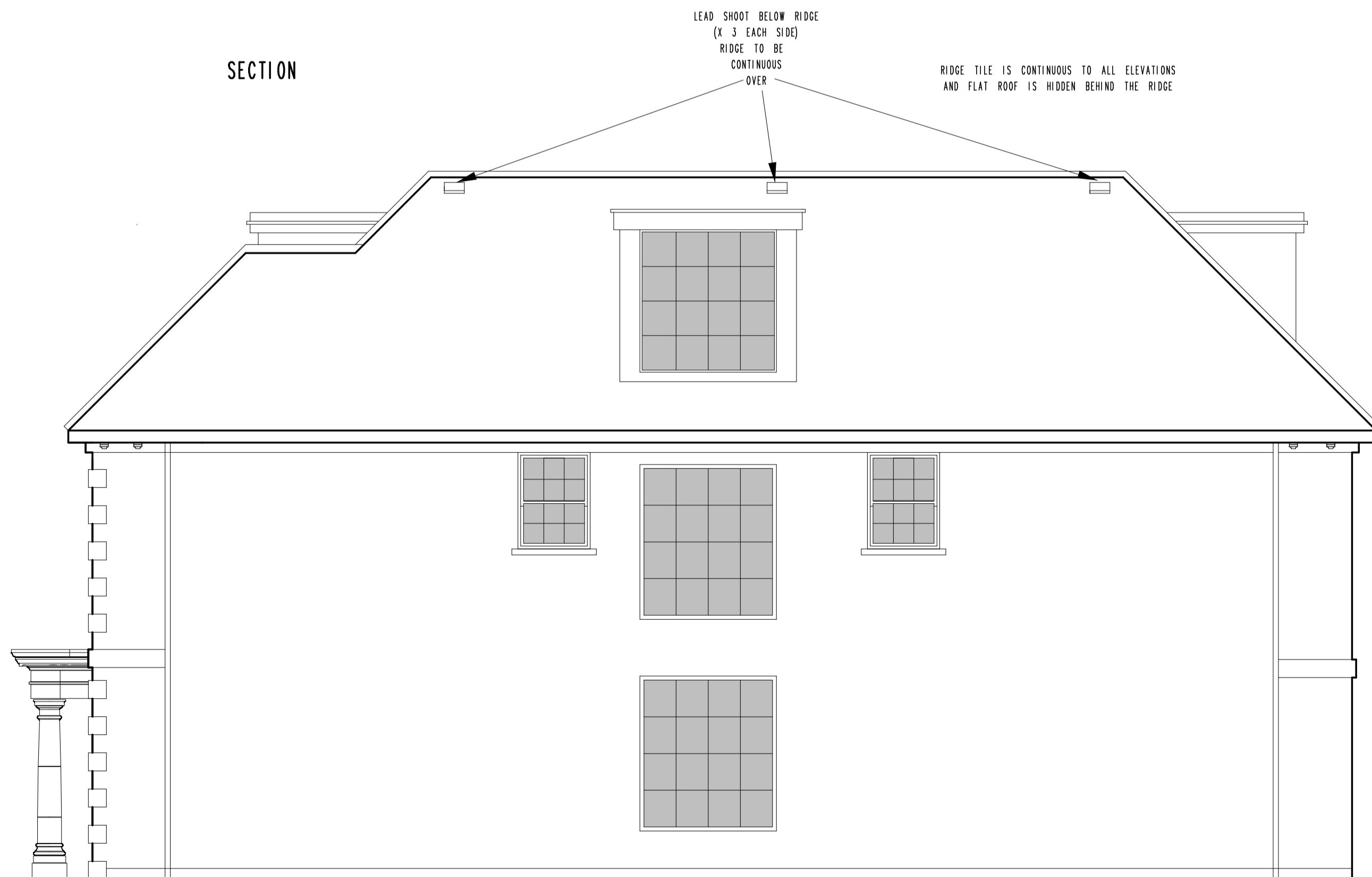
780 x180

ROOF PLAN

SECTION

LEAD SHOOT BELOW RIDGE (X 3 EACH SIDE) RIDGE TO BE CONTINUOUS OVER

RIDGE TILE IS CONTINUOUS TO ALL ELEVATIONS AND FLAT ROOF IS HIDDEN BEHIND THE RIDGE



ELEVATIONS

No. Date By Contents

Revisions

Site Address

101 BROOKMANS AVE
BROOKMANS PARK
AL9 7QG

Job Title

DEMOLITION OF EXG
HOUSE AND
ERECTION OF 6 HOUSES

Drawing Title

TYPICAL CROWN ROOF DETAILS

Scale

1.50 @ a1

Date

08/19

Drawn by

AJC

 Alan Cox
associates

Architectural & Planning Consultants

TEL: 020 - 8440 - 7777

FAX: 020 - 8364 - 9556

Dir. No.

485018-27

Rev.