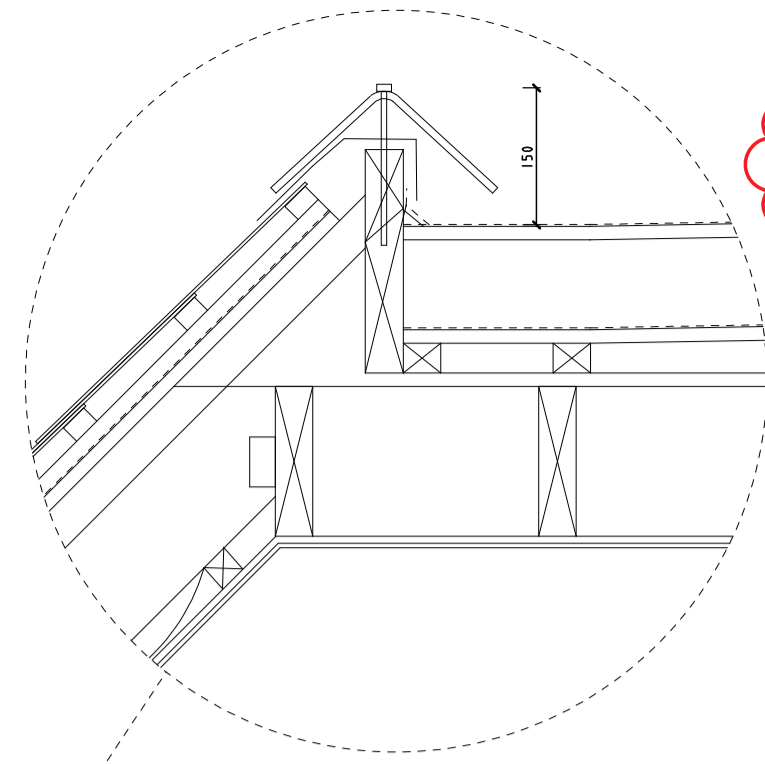
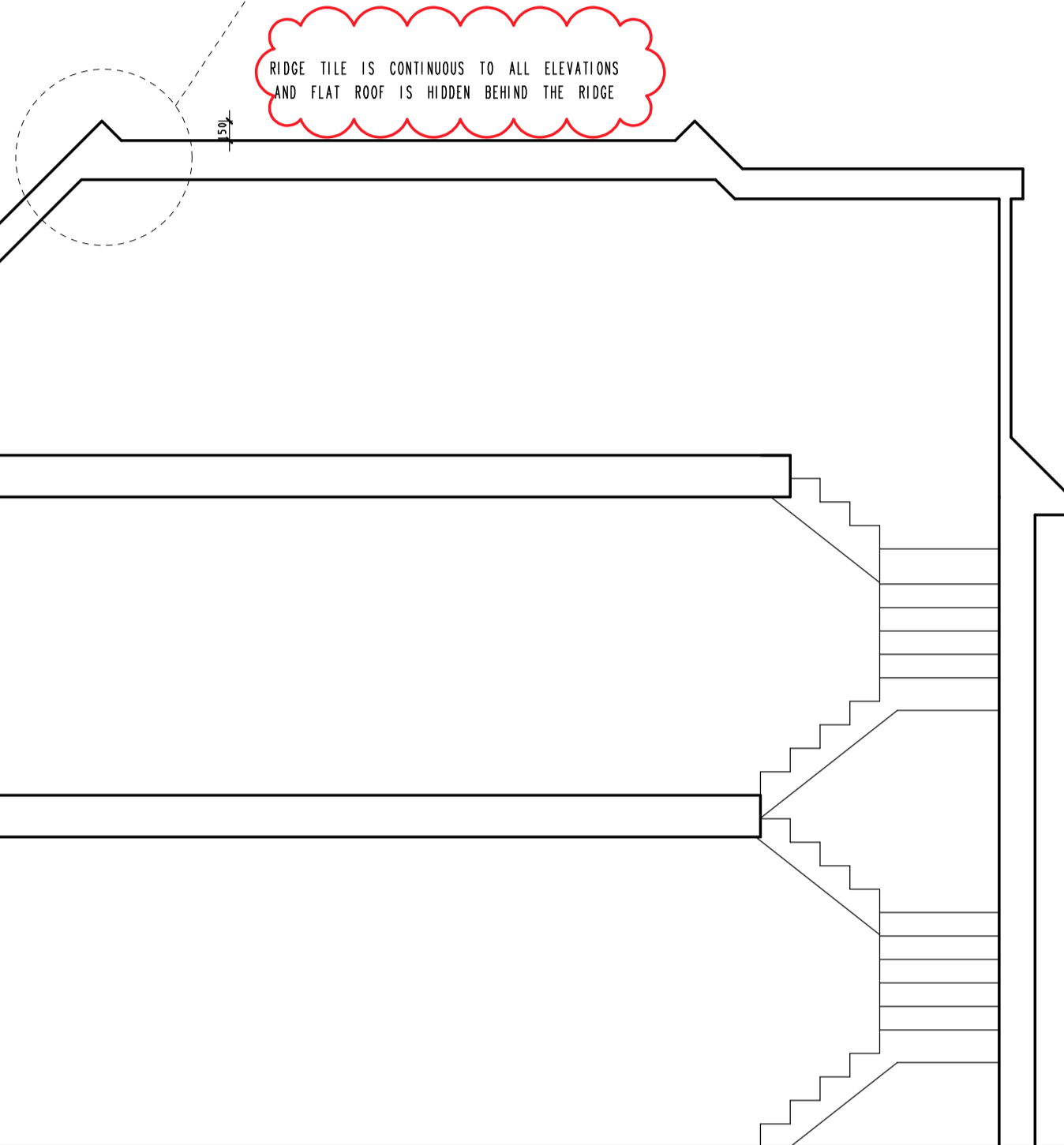


THIS DETAIL WILL BE APPLIED TO ALL SIX HOUSES

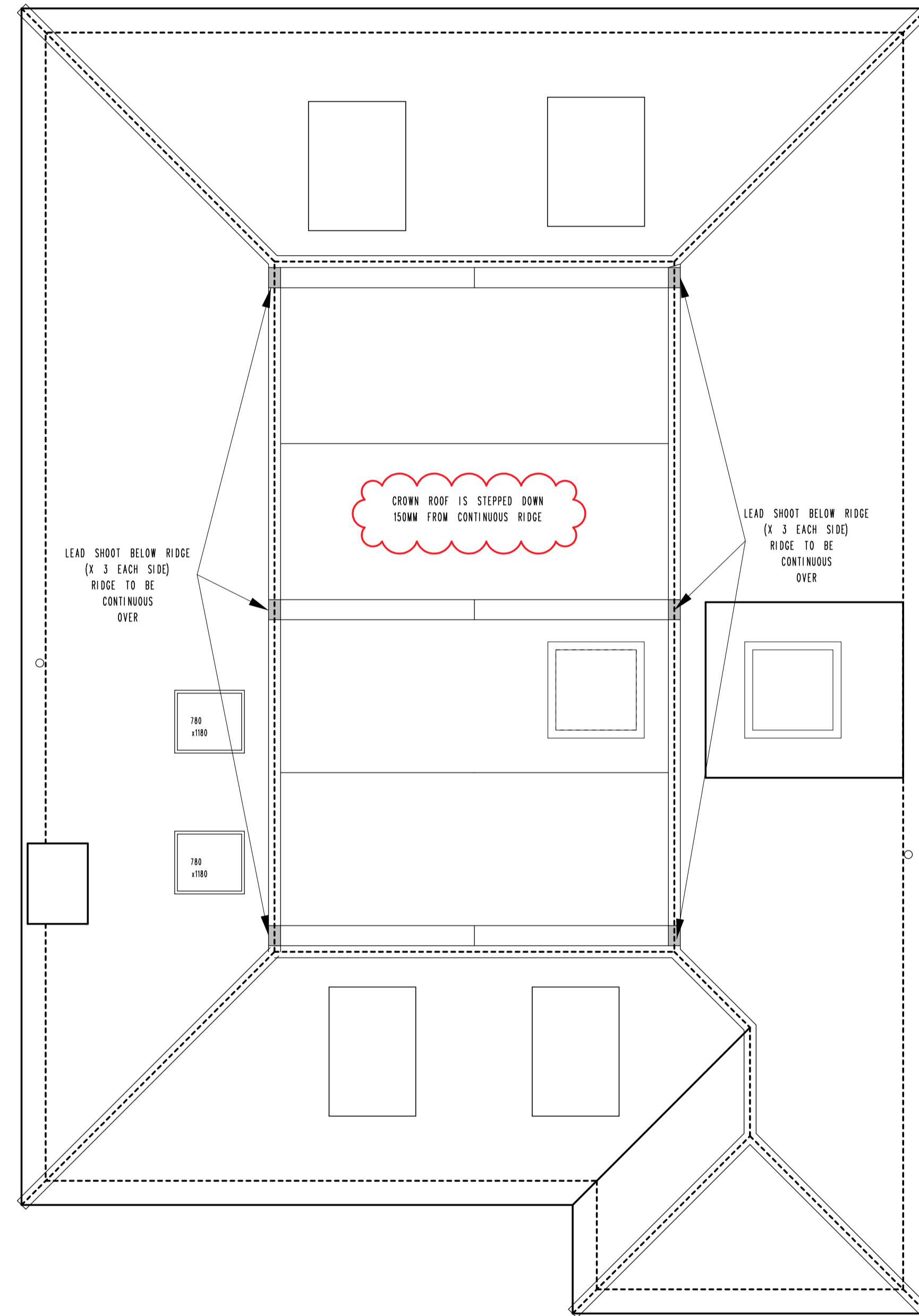
PLANNING



RIDGE TILE IS CONTINUOUS TO ALL ELEVATIONS AND FLAT ROOF IS HIDDEN BEHIND THE RIDGE



RIDGE TILE IS CONTINUOUS TO ALL ELEVATIONS AND FLAT ROOF IS HIDDEN BEHIND THE RIDGE



CROWN ROOF IS STEPPED DOWN 150MM FROM CONTINUOUS RIDGE

LEAD SHOOT BELOW RIDGE (X 3 EACH SIDE) RIDGE TO BE CONTINUOUS OVER

LEAD SHOOT BELOW RIDGE (X 3 EACH SIDE) RIDGE TO BE CONTINUOUS OVER

780 x180

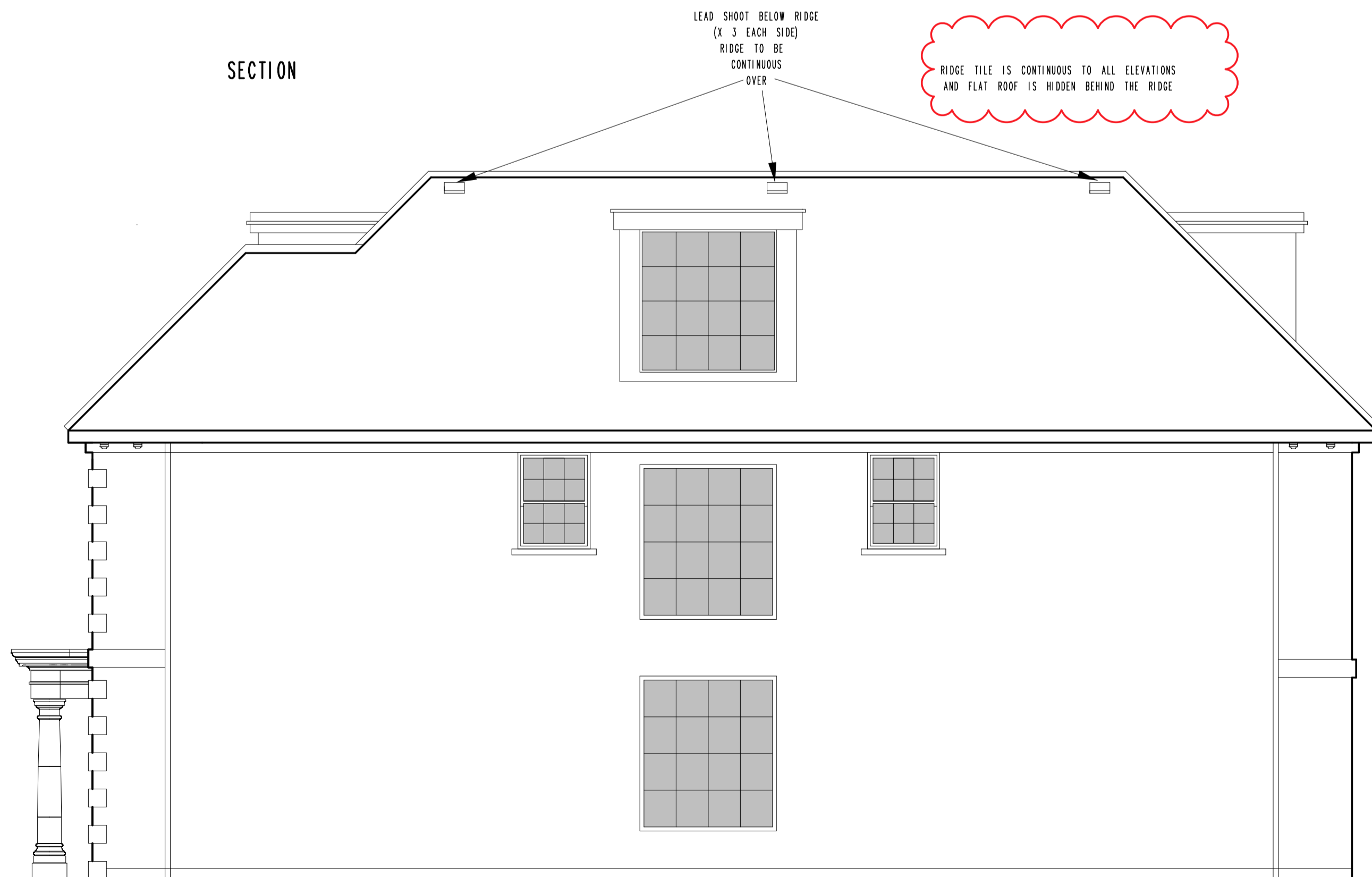
780 x180

ROOF PLAN

SECTION

LEAD SHOOT BELOW RIDGE (X 3 EACH SIDE) RIDGE TO BE CONTINUOUS OVER

RIDGE TILE IS CONTINUOUS TO ALL ELEVATIONS AND FLAT ROOF IS HIDDEN BEHIND THE RIDGE



ELEVATIONS

No.	Date	By	Contents
Revisions			

Site Address
 101 BROOKMANS AVE
 BROOKMANS PARK
 AL9 7QG

Job Title
 DEMOLITION OF EXG
 HOUSE AND
 ERECTION OF 6 HOUSES

Drawing Title
 TYPICAL CROWN ROOF DETAILS

Scale 1.50 @ a1 Date 08/19 Drawn by AJC

Alan Cox
 associates
 Architectural & Planning Consultants
 TEL: 020 - 8440 - 7777
 FAX: 020 - 8364 - 9556

Dir.No. 485018-26 Rev.