

NOTES

1.0 GENERAL

- 1.1 THE COPYRIGHT OF THIS DRAWING IS VESTED IN VERTEX ENGINEERS AND IT MAY NOT BE REPRODUCED IN WHOLE OR PART, OR USED FOR THE MANUFACTURE OF ANY ARTICLE WITHOUT THE EXPRESS PERMISSION OF THE COPYRIGHT HOLDERS.
- 1.2 WORK TO FIGURED DIMENSIONS ONLY.
- 1.3 THIS DRAWING IS TO BE READ IN CONJUNCTION WITH ALL RELEVANT ARCHITECTS, SERVICE ENGINEERS AND VERTEX ENGINEERS' DRAWINGS AND SPECIFICATIONS.
- 1.4 ALL DIMENSIONS ARE IN MILLIMETRES UNLESS OTHERWISE NOTED.

2.0 STRUCTURAL STEELWORK

- 2.1 EXECUTION OF ALL STEEL STRUCTURES MUST BE IN ACCORDANCE WITH BS EN 1090-2 EXECUTION CLASS 2.
- 2.2 ALL STEELWORK TO BE GRADE S355 AND GALVANISED U.N.O.
- 2.3 CONNECTION DESIGN IS THE RESPONSIBILITY OF THE CONTRACTOR. THE STEEL FABRICATOR IS TO COMPLETE THE DESIGN OF THE CONNECTIONS INCLUDING NEW/EXISTING CONNECTIONS TO SAFELY TRANSFER A MINIMUM SHEAR FACTORED LOAD AS NOTED IN SCHEDULE.
- 2.4 ALL COLUMNS & PARAPET LEVEL BEAMS TO BE GALVANISED.
- 2.5 AS A MINIMUM ALL CONNECTIONS ARE TO BE 2No. M16/8.8 BOLTS WITH 10mm THICK END PLATES.
- 2.6 ALL WELDS TO BE MINIMUM FULL PROFILE 6mm CONTINUOUS FILLET WELD (C.F.W.) UNLESS NOTED OTHERWISE.
- 2.7 IT IS THE RESPONSIBILITY OF THE CONTRACTOR TO TAKE ALL NECESSARY SITE DIMENSIONS FOR FABRICATION PURPOSES.

3.0 CONCRETE

3.1 CONCRETE GRADES:

FOUNDATIONS	C30/37
GROUND BEARING SLAB	C30/37

3.2 CASTING OF CONCRETE REFER TO SPEC E10.

4.0 DRAWING SPECIFIC NOTES

- 4.1 NEW CLADDING TO MATCH EXISTING: AP30/35WR STEEL PROFILE BY ARCHITECTURAL PROFILES LTD OR SIMILAR LAID HORIZONTALLY. COLOUR: APL METALLIC SILVER 35/006.
- 4.2 NEW LOUVRES TO MATCH EXISTING: APL70 LCP BY ARCHITECTURAL PROFILES LTD OR SIMILAR. COLOUR: APL METALLIC SILVER 35/006.

P3	REVISED TO SUIT FLOOR GRILLAGE DESIGN	AB	AJH	05/02/2024
P2	CHANGES TO SUIT SERVICES SITE SURVEY.	AB	AJH	15/01/2024
P1	PRELIMINARY	AB	AJH	24/11/2023
Rev	Description	By	App. By	Date

Client	JAGUAR
Architect	-

Structural and Civil Engineers  
**VERTEX ENGINEERS**  
 Project Managers  
 Principal Designers  
 Construction Consultants  
 Party Wall Surveyors

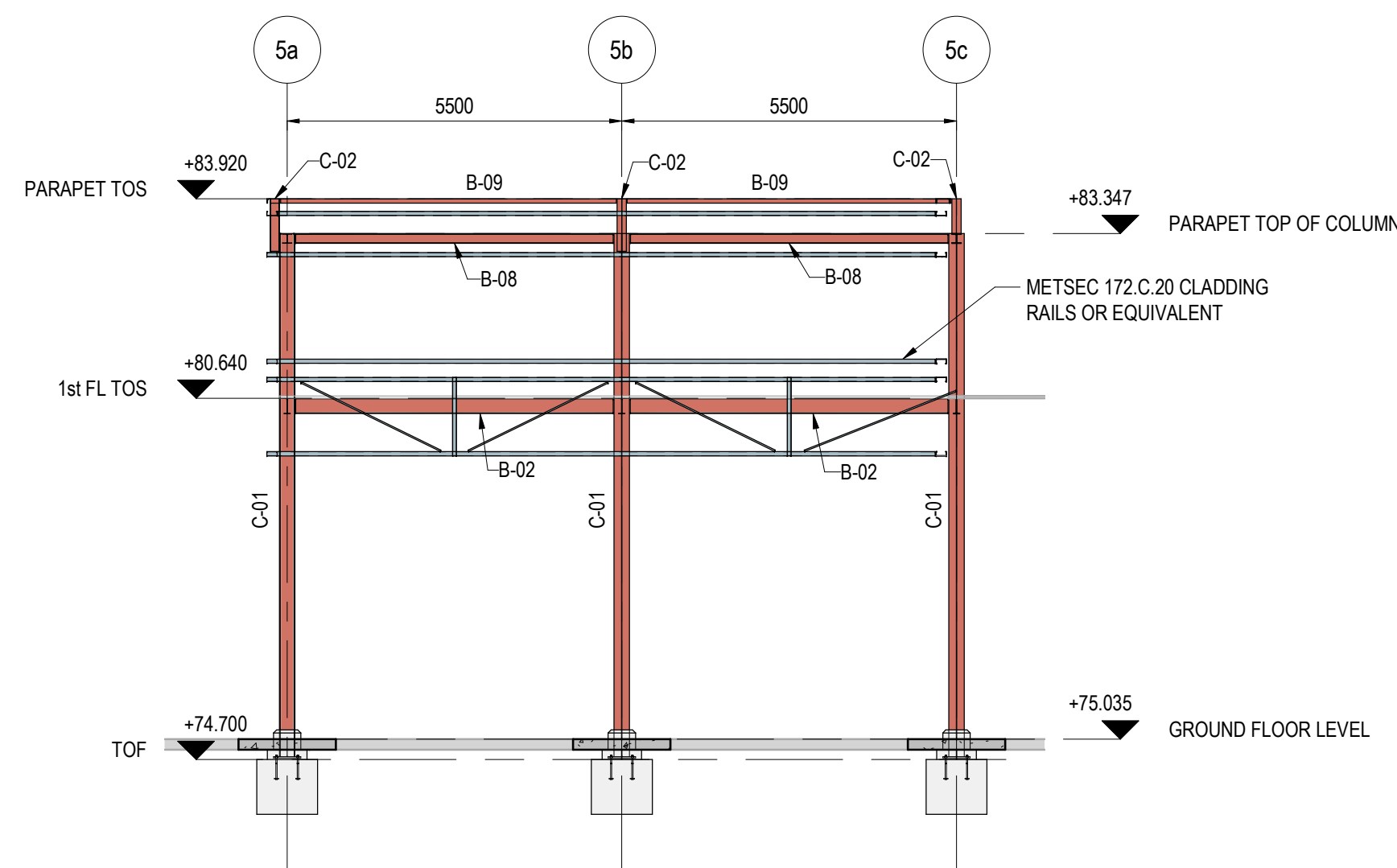
4th Floor | 1 Onslow Street | London | EC3N 3AS  
 Tel: 020 7916 1744 | london@vertexeng.co.uk | www.vertexeng.co.uk

Project Title	EISAI
Drawing Title	CHILLER REPLACEMENT STEELWORK ELEVATIONS

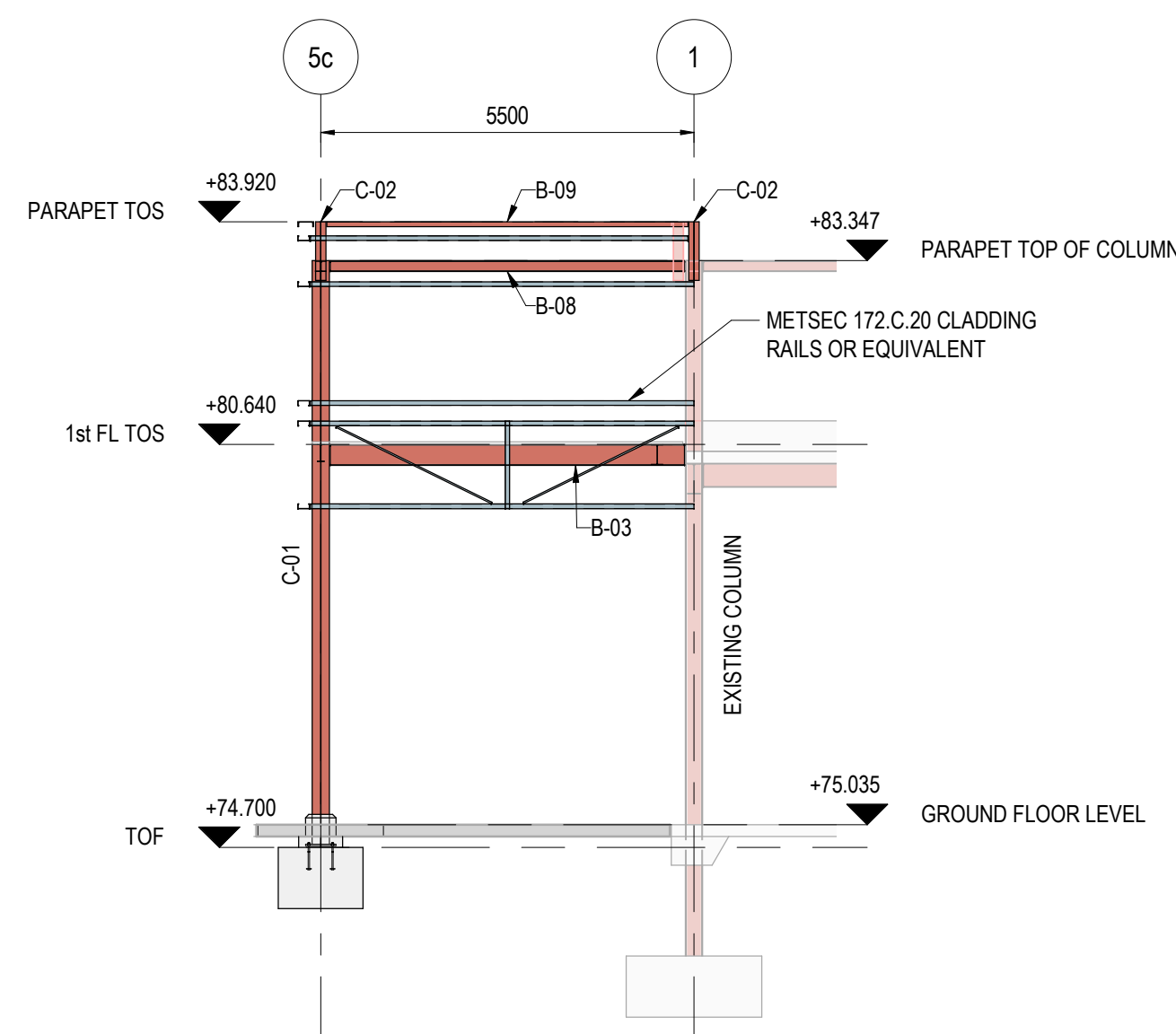
Drawing Status	PRELIMINARY
----------------	-------------

Drawn By	Date	Checked By	Date	Scale @ A1	Project No.
AB	NOV-23	GA	NOV-23	1:100	25147

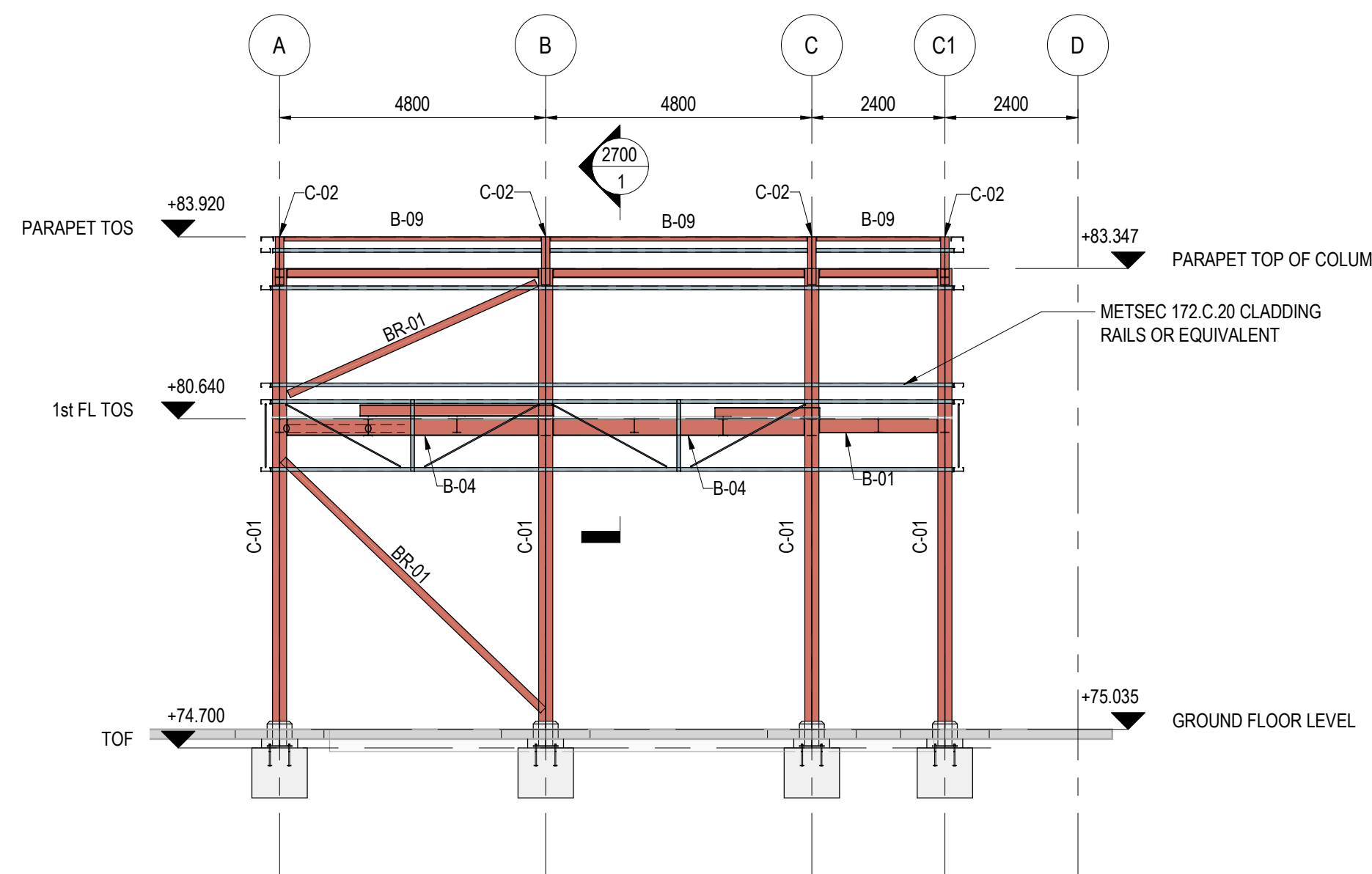
Dwg No.	Revision	Suitability
25147-VTX-XX-ZZ-DR-S-2502	P3	S3



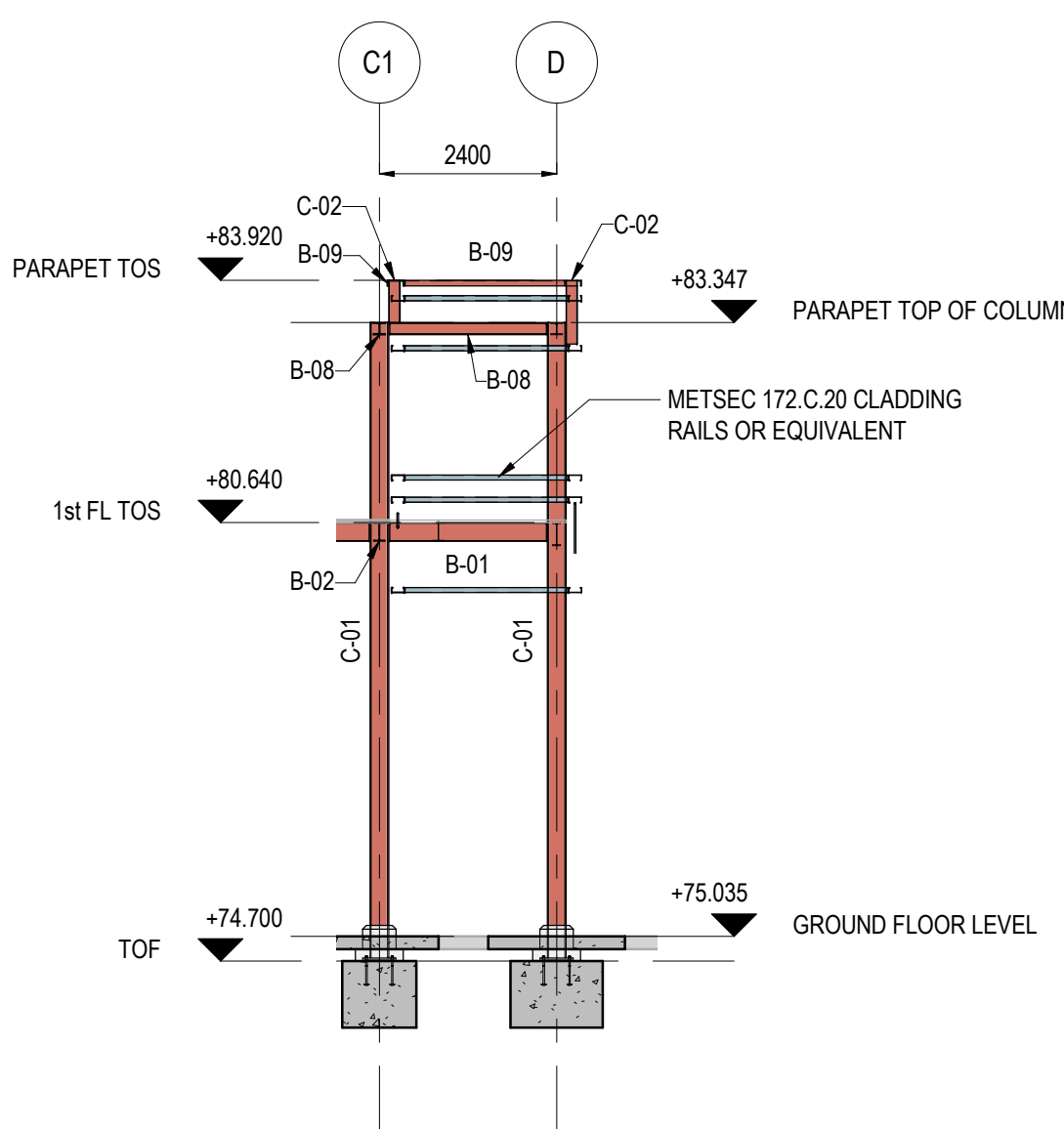
2502 / 1 PROPOSED STEELWORK SOUTH ELEVATION  
 ALONG GL C1  
 SCALE 1 : 100



2502 / 2 PROPOSED STEELWORK SOUTH ELEVATION  
 ALONG GL D  
 SCALE 1 : 100

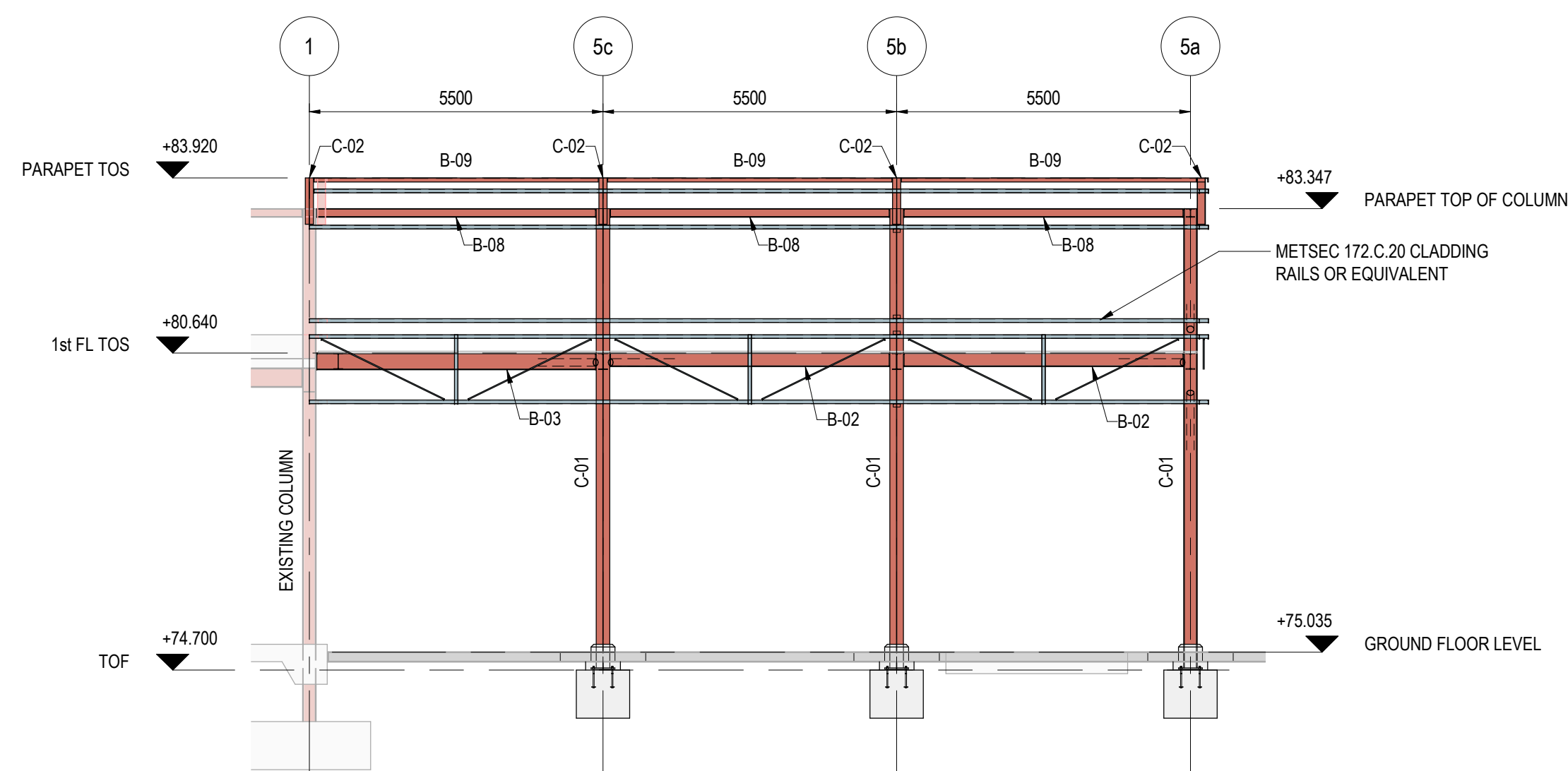


2502 / 3 PROPOSED STEELWORK WEST ELEVATION  
 ALONG GL 5a  
 SCALE 1 : 100



2502 / 4 PROPOSED STEELWORK WEST ELEVATION  
 ALONG GL 5c  
 SCALE 1 : 100

NOTE:  
 TOS LEVELS TBC.  
 TO SUIT EXISTING FINISHED LEVEL AS DETAIL 2700/2



2502 / 5 PROPOSED STEELWORK NORTH ELEVATION  
 ALONG GL A  
 SCALE 1 : 100