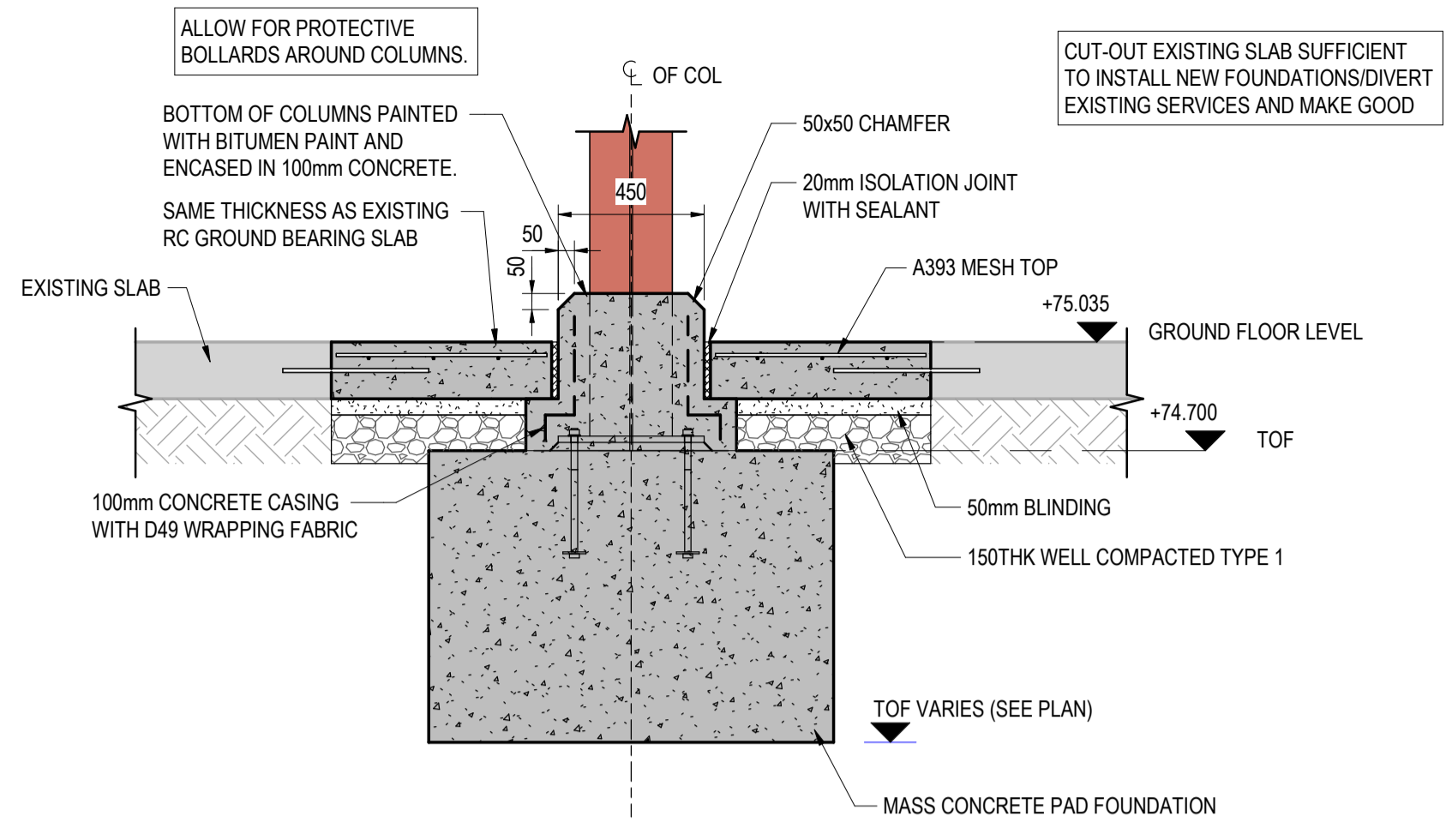
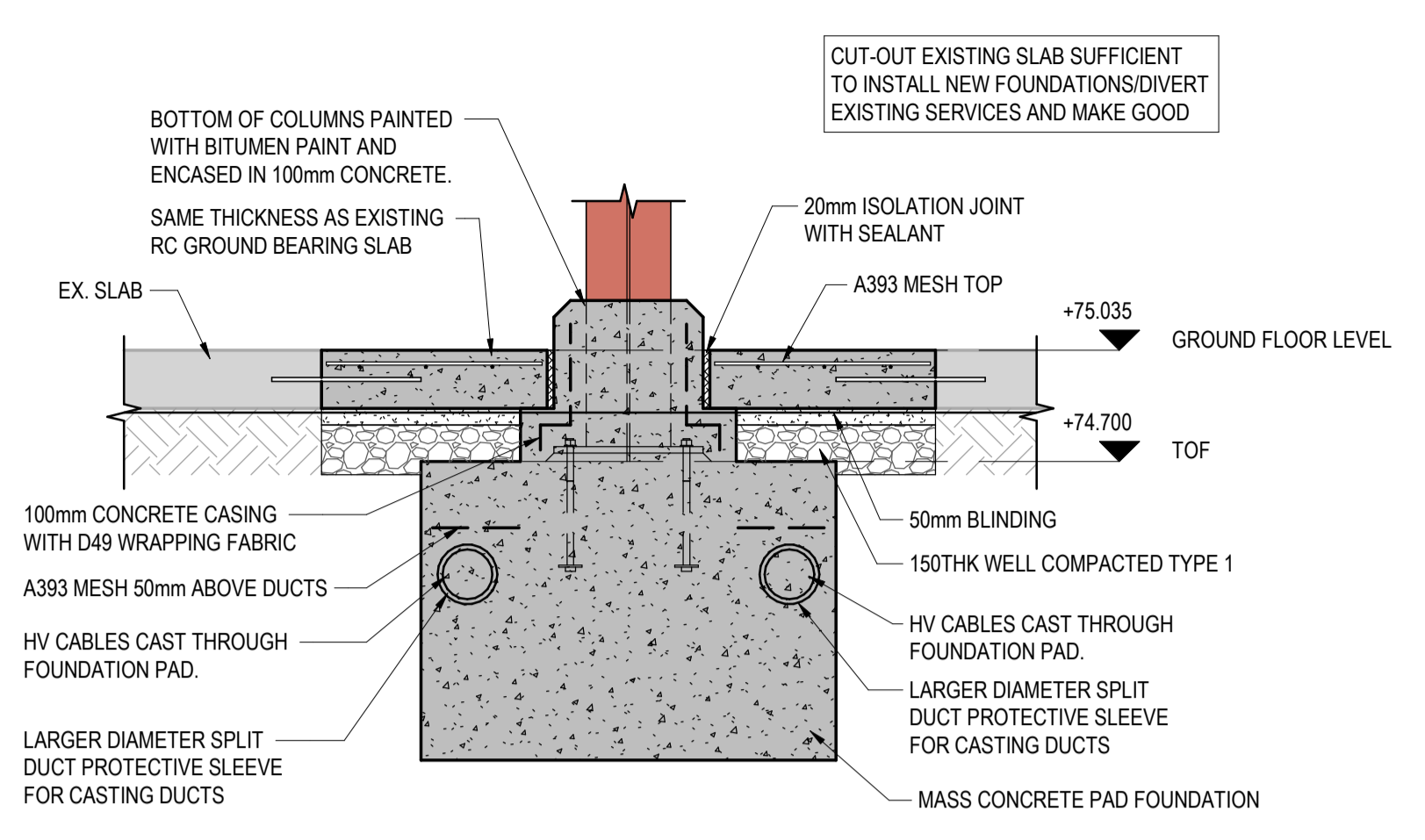


1700 / 1 TYPICAL DETAIL
SCALE 1 : 20



1700 / 2 DETAIL
TYPICAL INTERNAL DETAIL
SCALE 1 : 20



1700 / 3 DETAIL
TYPICAL CAST-IN DUCTS
SCALE 1 : 20

NOTES

- 1.0 GENERAL**
- THE COPYRIGHT OF THIS DRAWING IS VESTED IN VERTEX ENGINEERS AND IT MAY NOT BE REPRODUCED IN WHOLE OR PART, OR USED FOR THE MANUFACTURE OF ANY ARTICLE WITHOUT THE EXPRESS PERMISSION OF THE COPYRIGHT HOLDERS.
 - WORK TO FIGURED DIMENSIONS ONLY.
 - THIS DRAWING IS TO BE READ IN CONJUNCTION WITH ALL RELEVANT ARCHITECTS, SERVICE ENGINEERS AND VERTEX ENGINEERS' DRAWINGS AND SPECIFICATIONS.
 - ALL DIMENSIONS ARE IN MILLIMETRES UNLESS OTHERWISE NOTED.
- 2.0 FOUNDATIONS**
- CONTRACTOR TO REMOVE ALL SOFT SPOTS AND REPLACE WITH WELL COMPACTED TYPE 2 BEFORE LAYING BLINDING TO ACHIEVE MIN 150kN/m² BEARING CAPACITY.
- 3.0 CONCRETE**
- CONCRETE GRADES:
FOUNDATIONS C30/37
GROUND BEARING SLAB C30/37
 - CASTING OF CONCRETE REFER TO SPEC E10.
- 4.0 STRUCTURAL STEELWORK**
- EXECUTION OF ALL STEEL STRUCTURES MUST BE IN ACCORDANCE WITH BS EN 1090-2 EXECUTION CLASS 2.
 - ALL STEELWORK TO BE GRADE S355 AND GALVANISED U.N.O.
 - CONNECTION DESIGN IS THE RESPONSIBILITY OF THE CONTRACTOR. THE STEEL FABRICATOR IS TO COMPLETE THE DESIGN OF THE CONNECTIONS INCLUDING NEW/EXISTING CONNECTIONS TO SAFELY TRANSFER A MINIMUM SHEAR FACTORED LOAD AS NOTED IN SCHEDULE.
 - AS A MINIMUM ALL CONNECTIONS ARE TO BE 2No. M16/8.8 BOLTS WITH 10mm THICK END PLATES.
 - ALL WELDS TO BE MINIMUM FULL PROFILE 6mm CONTINUOUS FILLET WELD (C.F.W.) UNLESS NOTED OTHERWISE.
 - IT IS THE RESPONSIBILITY OF THE CONTRACTOR TO TAKE ALL NECESSARY SITE DIMENSIONS FOR FABRICATION PURPOSES.
- 5.0 DRAWING SPECIFIC NOTES**
- PROVIDE TEMPORARY WORKS TO MAINTAIN WEATHER TIGHTNESS OF EXISTING BUILDING DURING THE WORKS.
 - ALLOW FOR DIVERTING EXISTING BELOW GROUND FOUL DRAINAGE, SURFACE WATER DRAINAGE, LV CABLES/DUCTS, MV CABLES/DUCTS AND ANY OTHER BELOW GROUND SERVICES NOT INCLUDED ON THE DRAWING.

P3	REVISED TO SUIT FLOOR GRILLAGE DESIGN	AB	AJH	05/02/2024
P2	CHANGES TO SUIT SERVICES SITE SURVEY.	AB	AJH	15/01/2024
P1	PRELIMINARY	AB	AJH	24/11/2023
Rev	Description	By	App. By	Date

Client
JAGUAR

Architect
-



Structural and Civil Engineers
Project Managers
Principal Designers
Construction Consultants
Party Wall Surveyors

Central House, 2nd Floor | 142 Central Street | London | EC1V 8AR
Tel: 020 7516 1744 | london@vertexeng.co.uk | www.vertexeng.co.uk

Project Title
EISAI

Drawing Title
**CHILLER REPLACEMENT
FOUNDATION & GF DETAILS**

Drawing Status
PRELIMINARY

Drawn By	Date	Checked By	Date	Scale @ A1	Project No.
AB	NOV-23	GA	NOV-23	As indicated	25147

Dwg No.	Revision	Suitability
25147-VTX-XX-ZZ-DR-S-1700	P3	S3