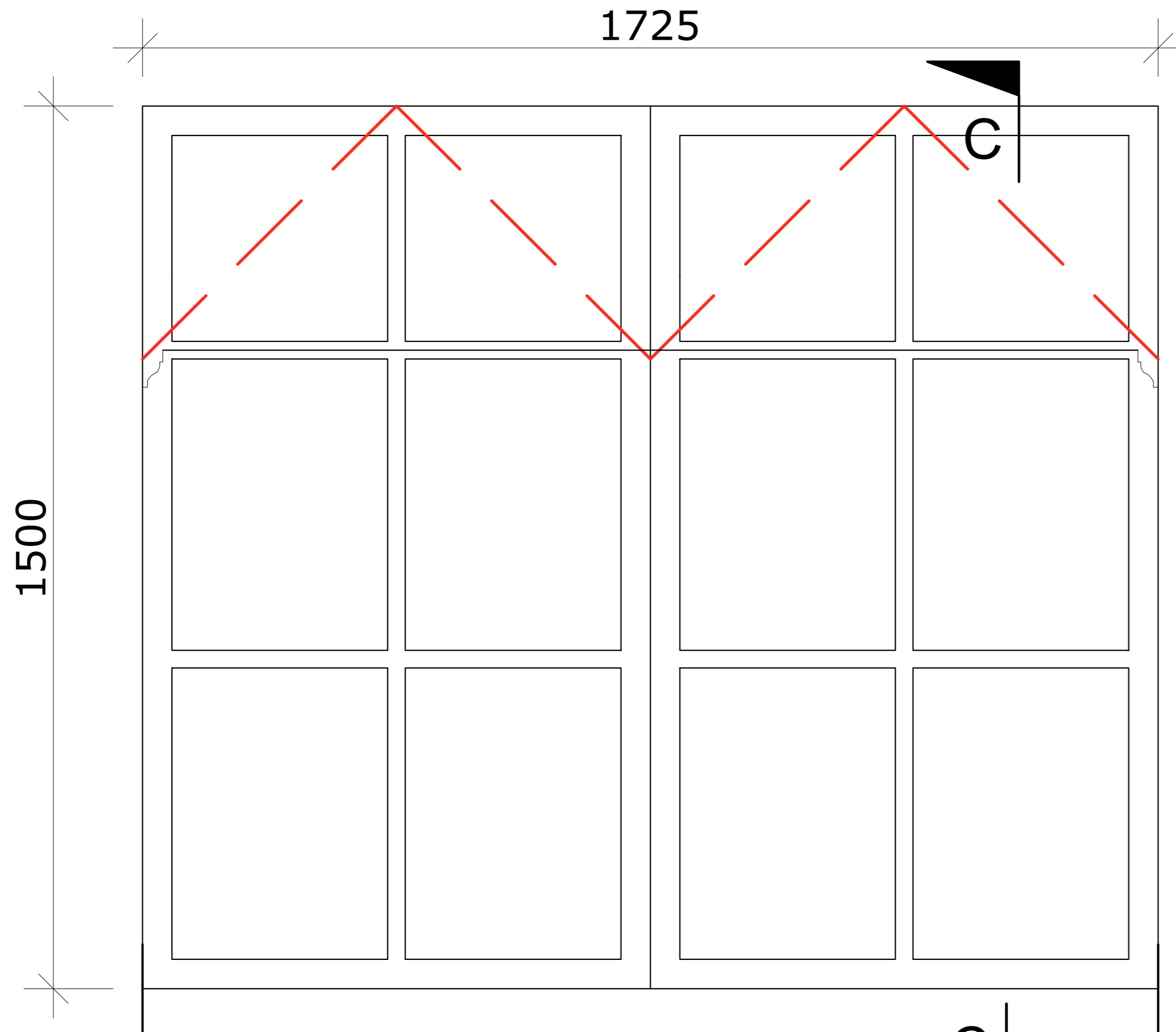


ALL DIMENSIONS, LEVELS AND CLEARANCES TO BE CHECKED ON SITE PRIOR TO WORKS COMMENCING

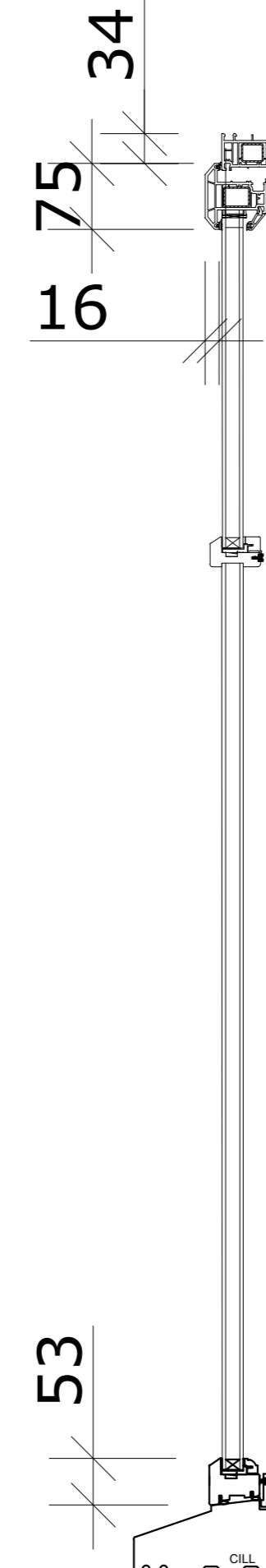
THIS DRAWING SHOULD BE READ IN CONJUNCTION WITH ALL OTHER PROJECT RELATED DRAWINGS, SPECIFICATIONS AND DOCUMENTS AS PART OF A SINGLE PROJECT PACKAGE.

ANY DISCREPANCY BETWEEN THIS DRAWING, OTHER DRAWINGS FORMING PART OF THIS CONTRACT, OR THE SPECIFICATION / BILLS OF QUANTITIES MUST BE CLARIFIED BEFORE COMMENCEMENT OF ANY WORK OR ORDERING OF ANY MATERIALS.

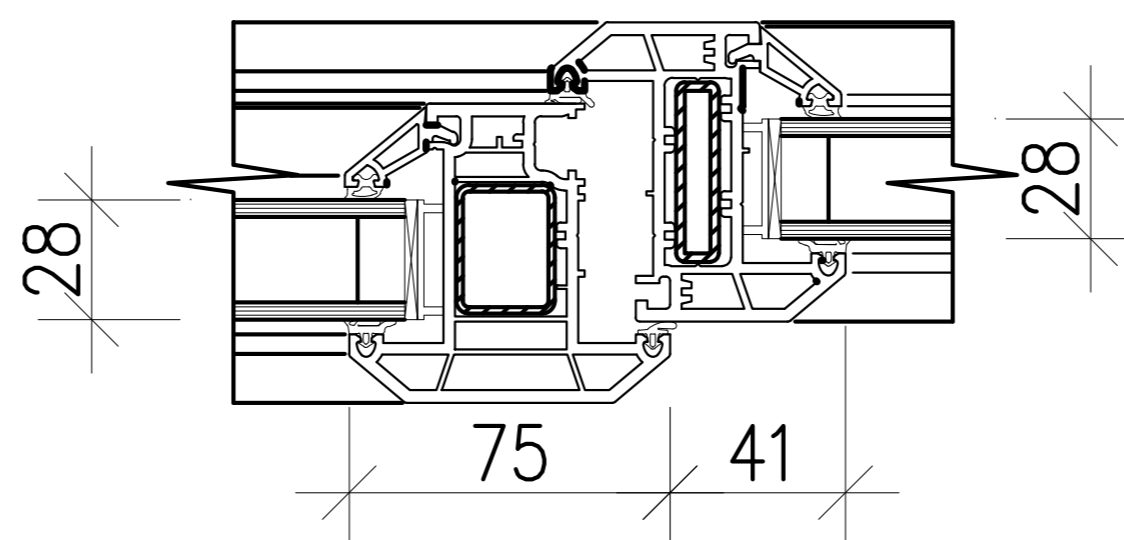
PLEASE CONSULT THE AUTHOR OR PROJECT MANAGER SHOULD THE READER REQUIRE CLARIFICATION ON ANY PART OF THIS DRAWING.



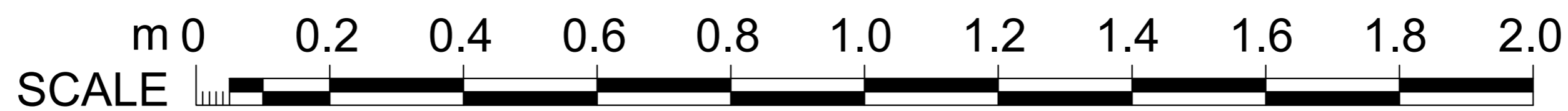
Proposed Window  
Detail C  
(1:20)



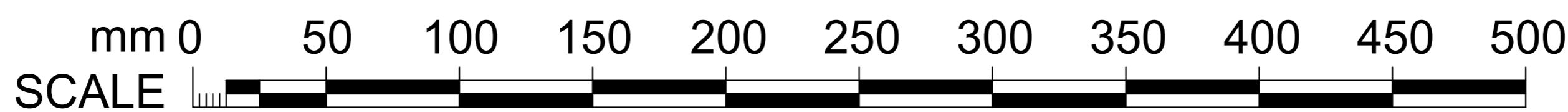
Section Window  
Detail C  
(1:20)



Section Detail C  
(1:5)



1:20



1:5

BRINGING IDEAS TO LIFE



FRANKHAM

Frankham Consultancy Group Limited

E: enquire@frankham.com  
www.frankham.com

Client:  
Notting Hill Genesis

Project Title:  
Priority 1 units Longcroft Lane blocks AL8 6EL

Original Issue Date:  
03/07/2020

Scale @ A4:  
As Shown

Drawing Title:  
Proposed Elevation & Section Window C-C & Detail C

Status:  
**PLANNING ISSUE**

Drawn By: MF	Designed By: DC	Checked By: BG	Apprv'd By: JM	Job No/ File Ref 227721	Originator FCG	Zone MB	Level DE	Type DR	Discipline B	Number 2401	Suitability S4	Revision P01
-----------------	--------------------	-------------------	-------------------	----------------------------	-------------------	------------	-------------	------------	-----------------	----------------	-------------------	-----------------