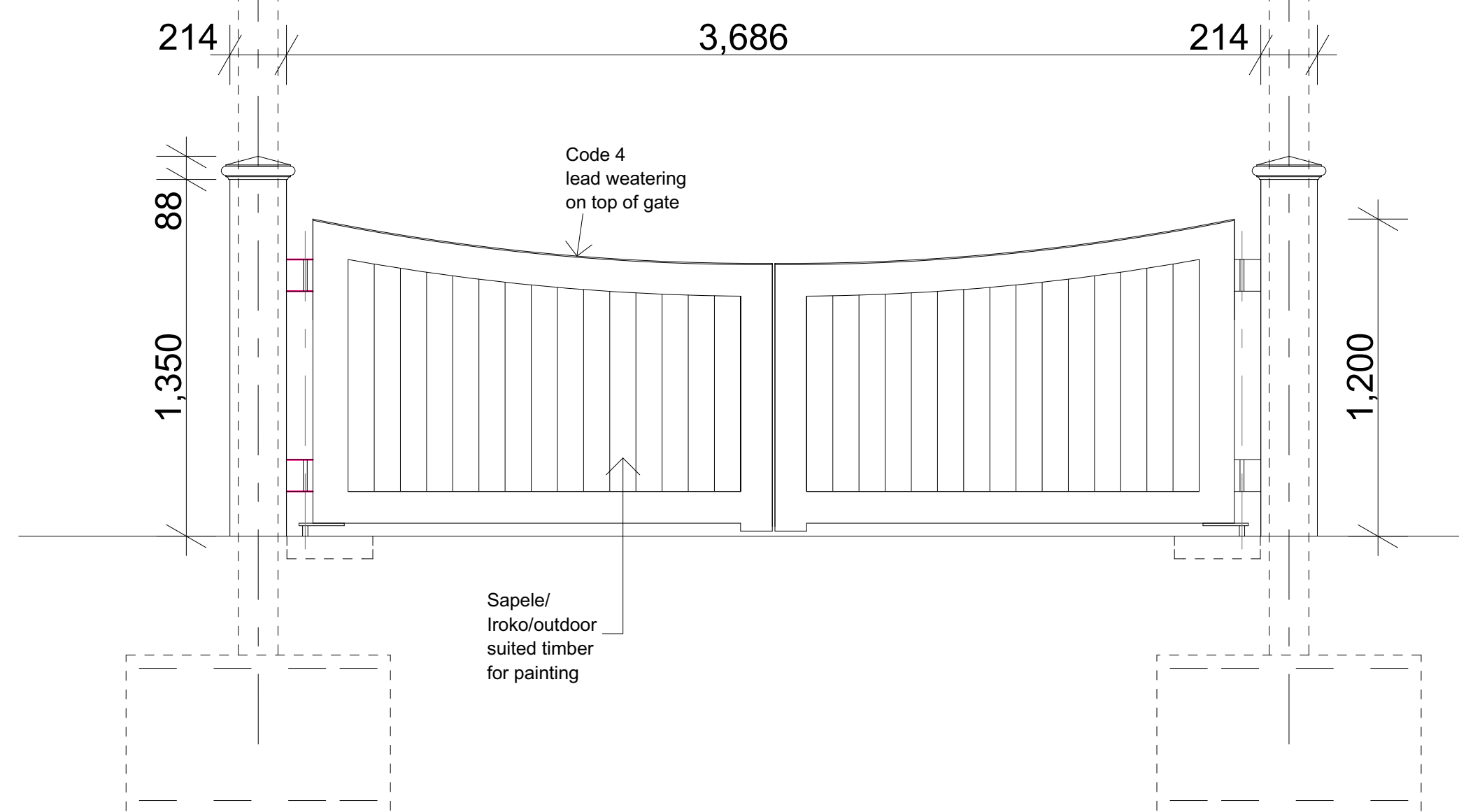
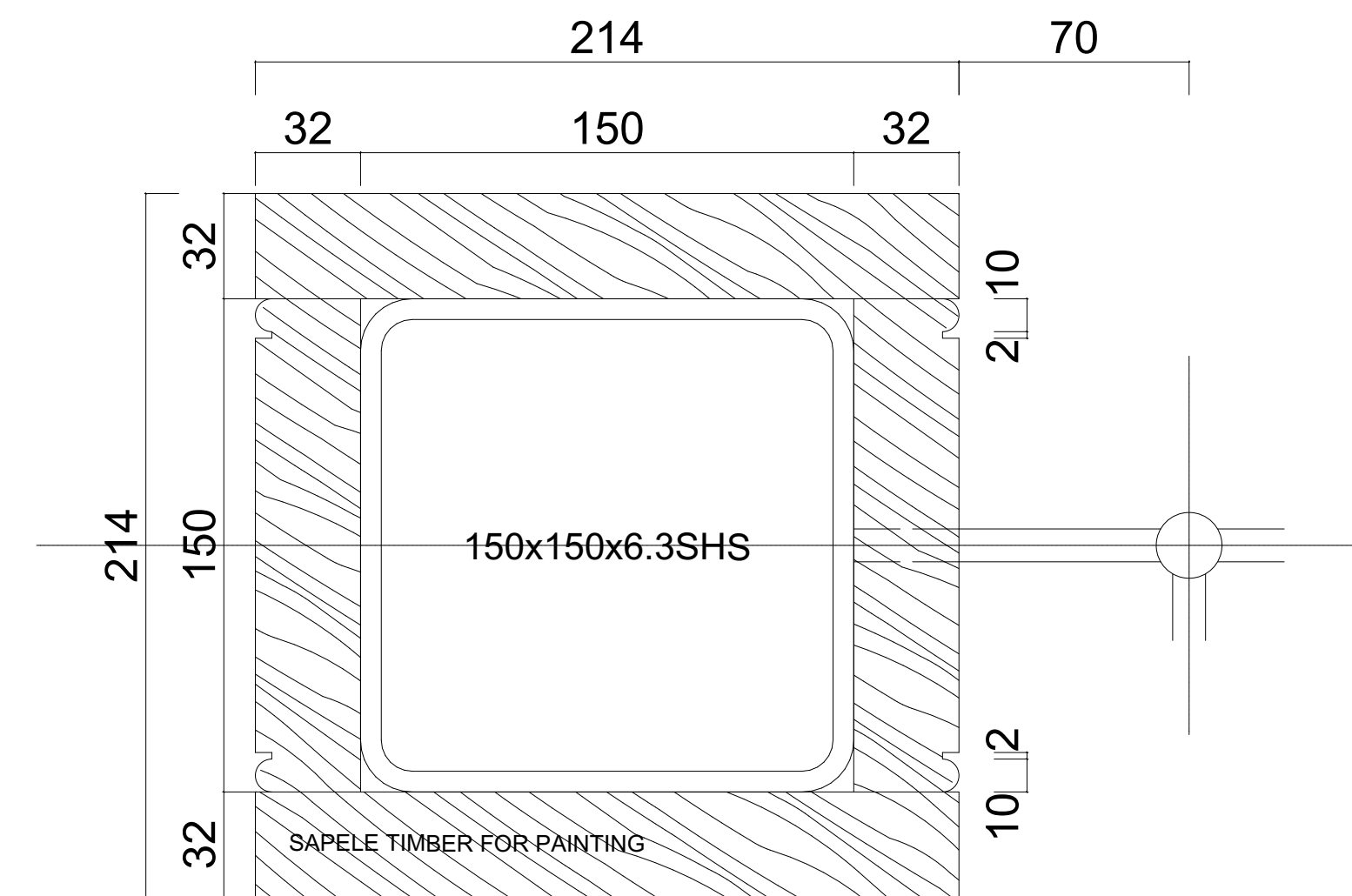


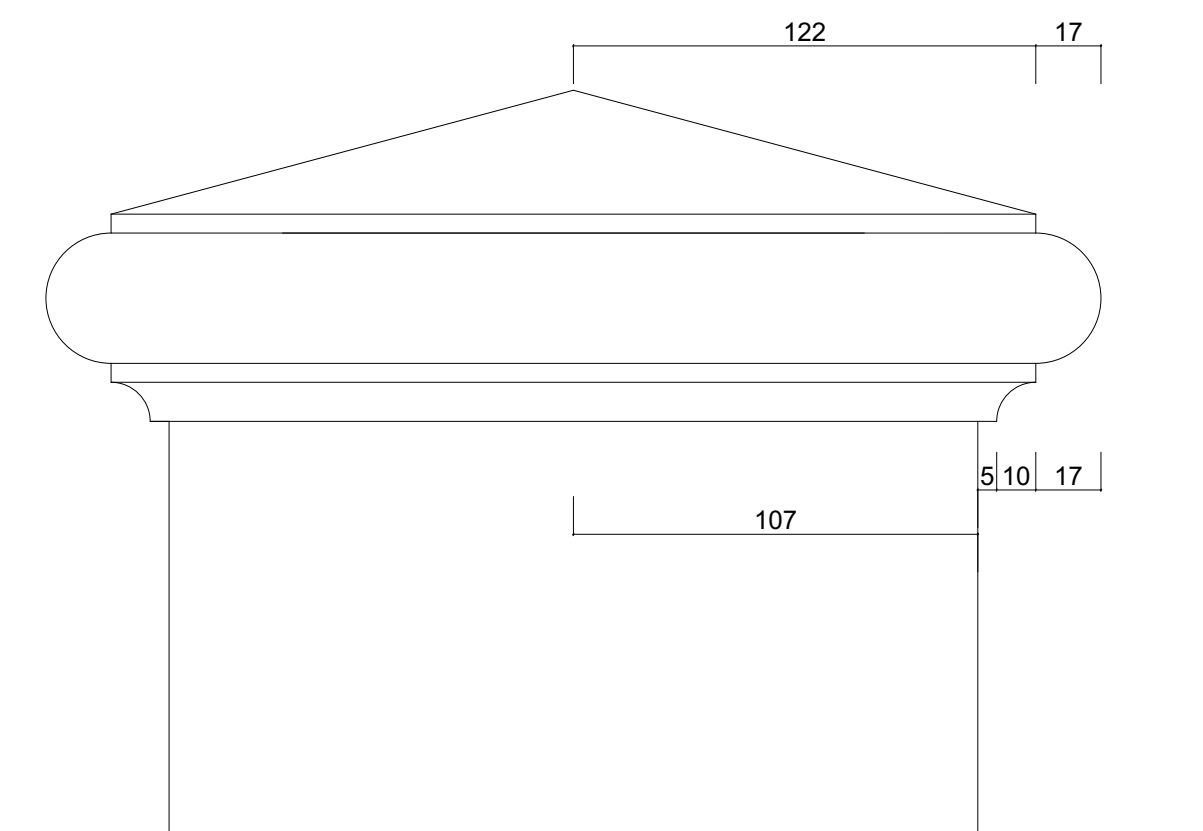
PLAN 1:20



ELEVATION 1:20



POST SECTION 1:2



FINIAL 1:2



SHAUN KNIGHT
ARCHITECTURE

40 FALCON ROAD, HAMPTON
TW12 2RA
07824 815 258M
0208 979 4949T

E:shaun@shaunknightarchitecture.com
W:shaunknightarchitecture.com

PROJECT: 38 THE RIDGEWAY
EN6 4AX

TITLE : MAIN GATE DETAILS

Date: OCTOBER 2023

Scale: 1:50/250 AT A1 Drawn: SDK

DRAWING NUMBER: 207-214

THESE MAIN GATE DETAILS ARE UNCHANGED FROM
THOSE CONSENTED UNDER 6/2021/1252/FULL