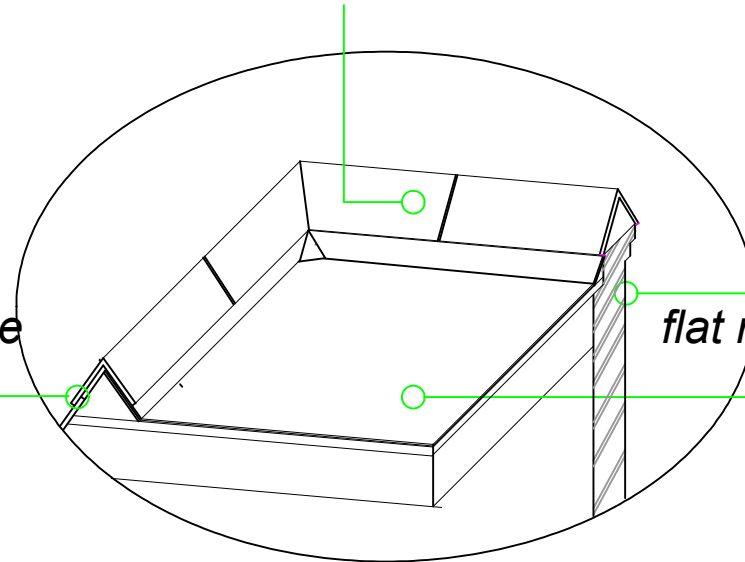


*ridge capping returns across brickwork gable*

*ridge capping runs along whole perimeter of roof*

*ridge capping to match slate roof slope*



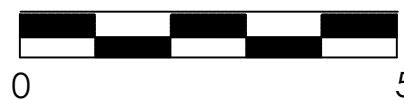
*brickwork gable*

*flat roofing to crown roof*



**Notes**

6 / 2020 / 2155 CONDITION 4



**Project**

45 KENTISH LANE  
AL9 6NG

**Drawing Title**

CROWN ROOF DETAIL

**Scale**

1:100@A3

**Drawing No.**

**CD/501/ C**