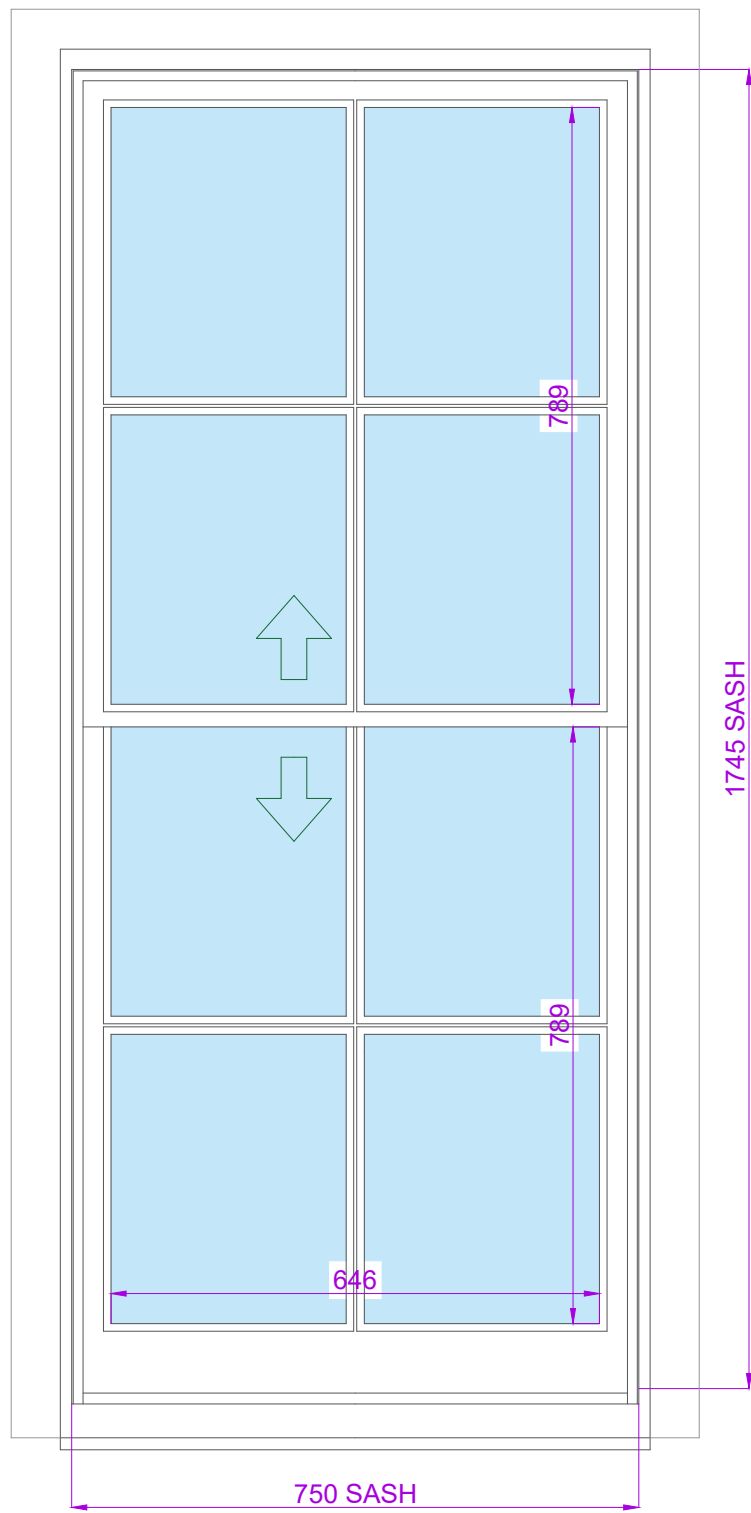


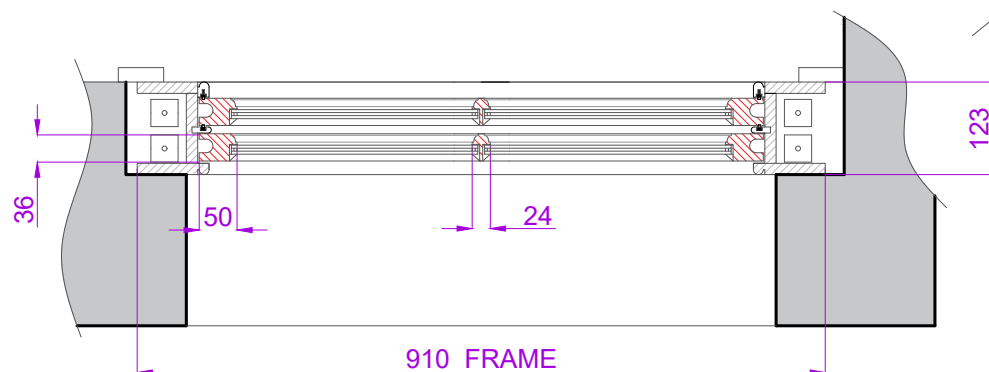
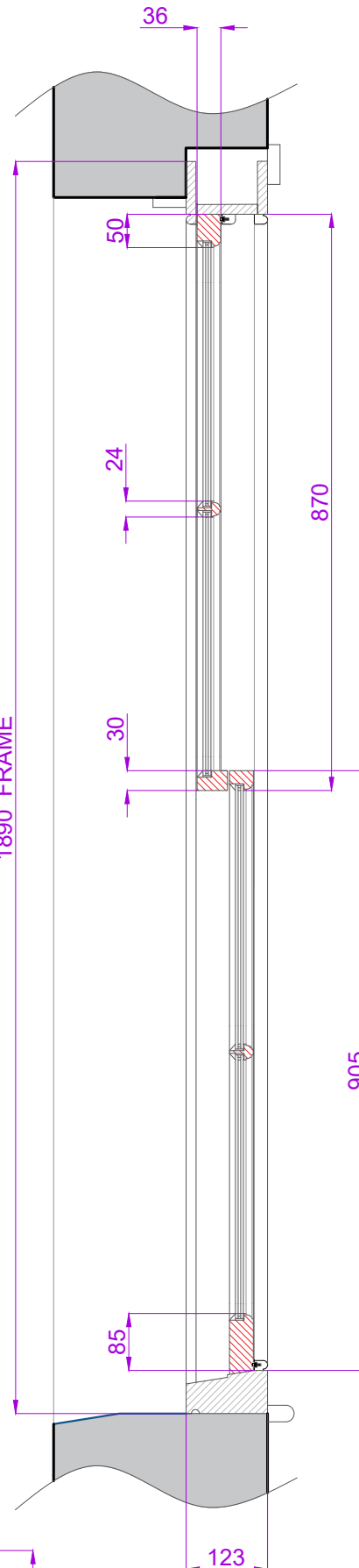
# PROPOSED WINDOW DETAIL ITEM W10 - SCALE 1:10

**NEW TIMBER SASHES TO EXISTING FRAME - 4 OVER 4 CORD HUNG SASHES. EXTENDED CILL WITH CILL HORNS. 43mm THICK LEAVES. DOUBLE GLAZED WITH 4mm SLIMLINE (HERITAGE) SPACER - 12mm UNIT, WITH 24mm WIDE GLAZING BARS AND GLAZED WITH DRYSEAL. OVOLO MOULDINGS INTERNALLY. PAINTED WHITE SASHES AND BLUE EXTERNAL FRAME. SASHES DRAUGHT SEALED WITH NEW STAFF BEAD, PARTING BEAD AND HEAD BEAD USING QLON DRAUGHT SEAL. NO VISIBLE REPAIRS TO BOX FRAME.**

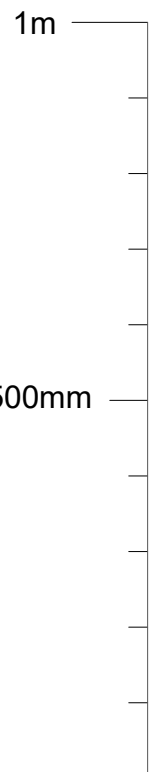
### EXTERNAL VIEW - SCALE 1:10



### SECTION - SCALE 1:10



### PLAN - SCALE 1:10



RED HATCHING INDICATES NEW JOINERY

METRIC SCALE 1:10 ON A3