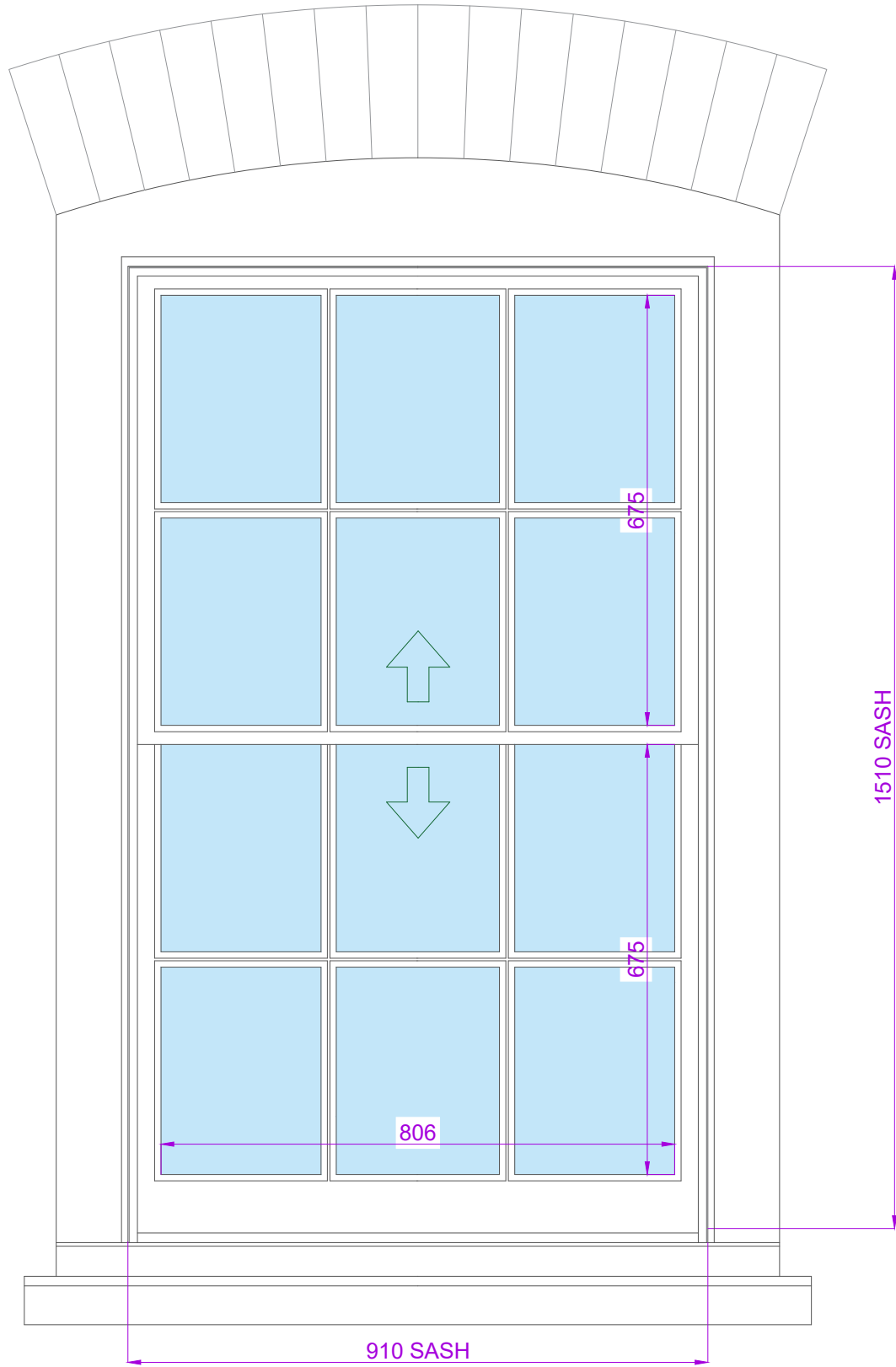


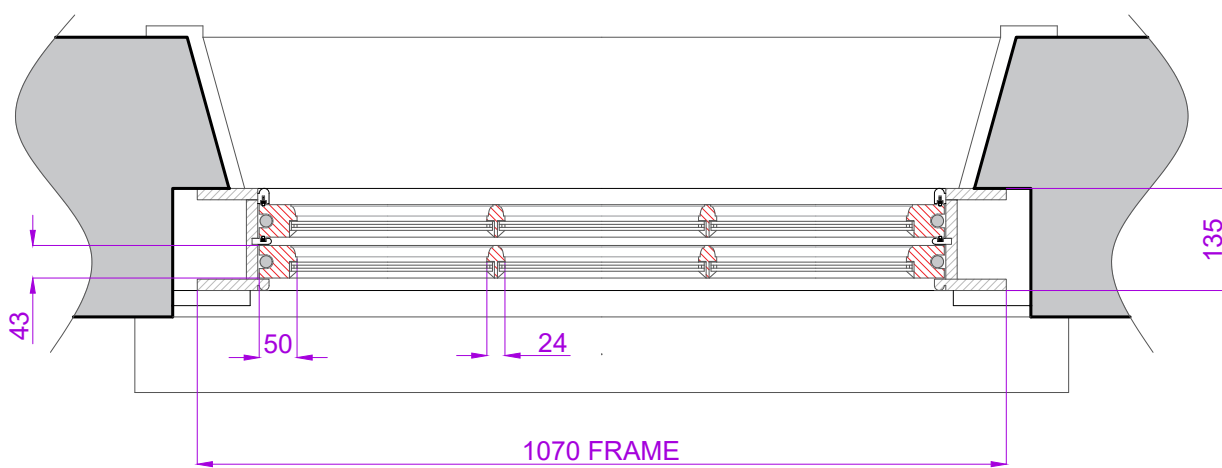
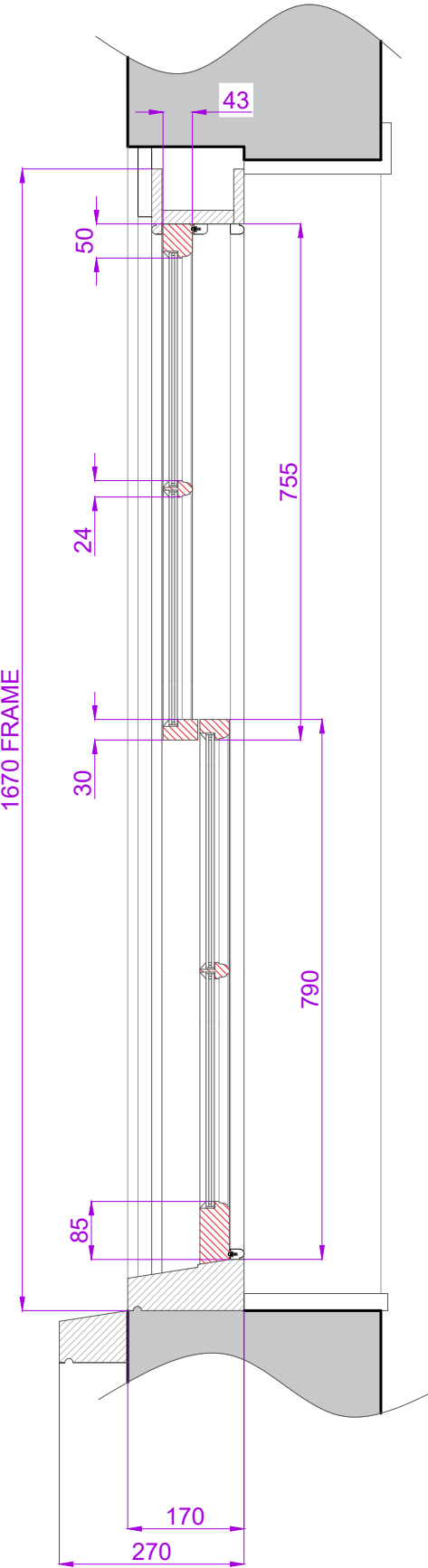
# PROPOSED WINDOW DETAIL ITEMS W06 & W07 - SCALE 1:10

NEW TIMBER SASHES TO EXISTING FRAME - 6 OVER 6 SPIRAL BALANCE HUNG SASHES. EXTENDED CILL WITH CILL HORNS. EXTERNAL LINERS TO SIDES AND HEAD. 43mm THICK LEAVES. DOUBLE GLAZED WITH 4mm SLIMLINE (HERITAGE) SPACER - 12mm UNIT, WITH 24mm WIDE GLAZING BARS AND GLAZED WITH DRYSEAL. OVOLO MOULDINGS INTERNALLY. PAINTED WHITE SASHES AND BLUE EXTERNAL FRAME. SASHES DRAUGHT SEALED WITH NEW STAFF BEAD, PARTING BEAD AND HEAD BEAD USING QLON DRAUGHT SEAL. REPAIRS TO OUTER JAMBS AND PULLEY STILES ON BOX FRAME.

EXTERNAL VIEW - SCALE 1:10



SECTION - SCALE 1:10



PLAN - SCALE 1:10

