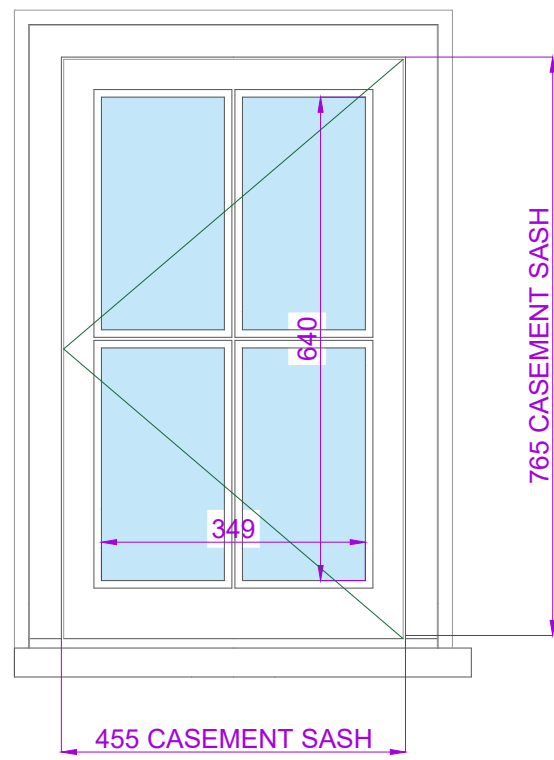


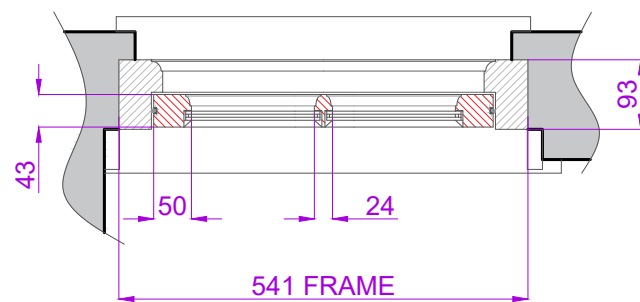
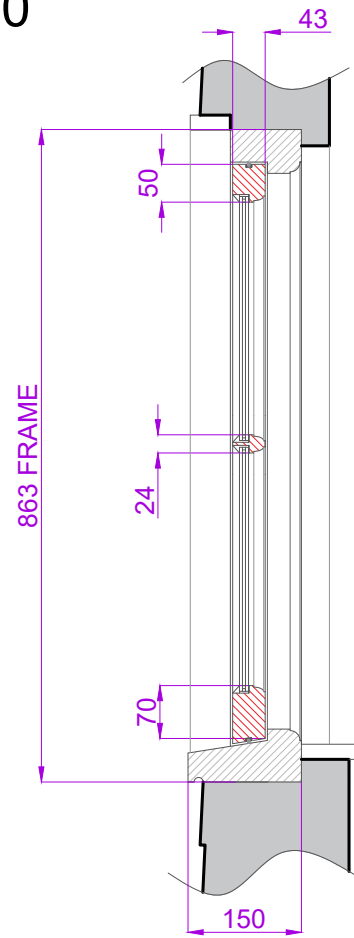
PROPOSED WINDOW DETAIL ITEM W03 - SCALE 1:10

NEW CASEMENT TIMBER SASH LEAVES TO EXISTING CASEMENT FRAME. CASEMENT WINDOW OPENING OUT FLUSH WITH 4 PANES. EXTENDED CILL WITH CILL HORNS. 43mm THICK LEAVES. DOUBLE GLAZED WITH 4mm SLIMLINE (HERITAGE) SPACER - 12mm UNIT, WITH 24mm WIDE GLAZING BARS AND GLAZED WITH DRYSEAL. OVOLO MOULDINGS INTERNALLY. PAINTED WHITE SASHES AND BLUE EXTERNAL FRAME. CASEMENT SASH LEAVES DRAUGHT SEALED WITH ZSTRIP BISCUIT CUT/ROUTED INTO THE PERIMETER. FRAME IN GOOD CONDITION, TO REMAIN.

EXTERNAL VIEW - SCALE 1:10



SECTION - SCALE 1:10



PLAN - SCALE 1:10

