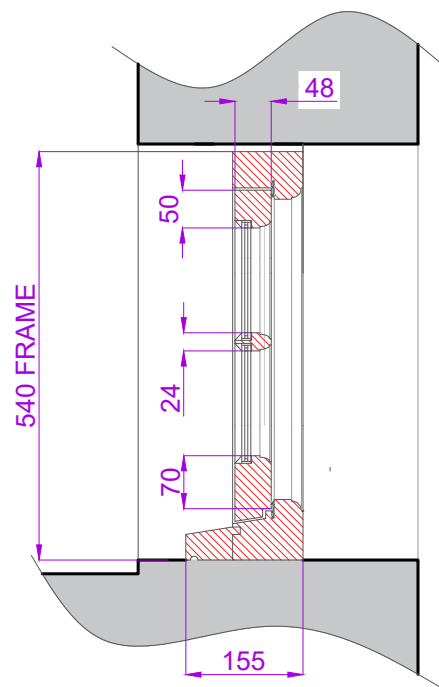
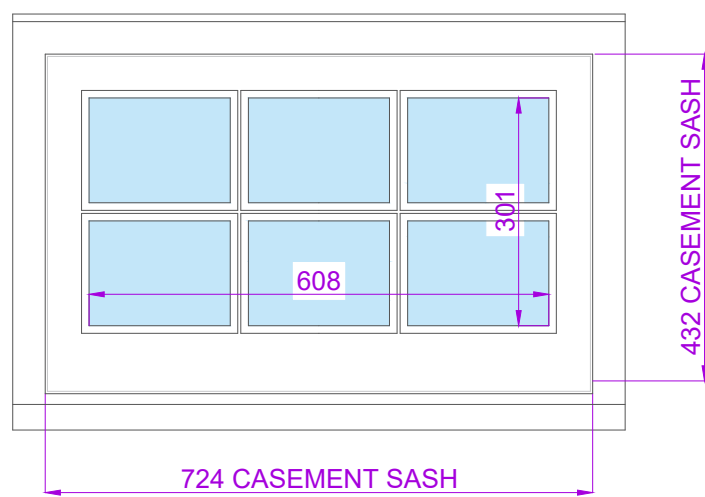


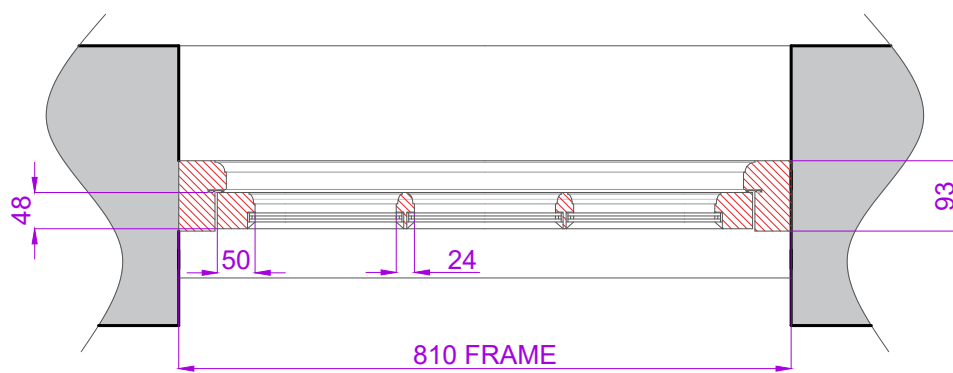
PROPOSED WINDOW DETAIL ITEMS W19 - SCALE 1:10

COMPLETE NEW TIMBER CASEMENT WINDOW, CASEMENT LEAVES AND FRAME. CASEMENT WINDOW OPENING OUT (FIXED) FLUSH WITH 6 PANES. EXTENDED CILL. 48mm THICK LEAVES. DOUBLE GLAZED WITH 4mm SLIMLINE (HERITAGE) SPACER - 12mm UNIT, WITH 24mm WIDE GLAZING BARS AND GLAZED WITH DRYSEAL. OVOLO PROFILE MOULDINGS INTERNALLY. PAINTED WHITE. INTEGRAL DRAUGHT SEALING TO STOPS ON FRAME USING QLON DRAUGHT SEALS. NO CHANGES TO STRUCTURAL OPENING OR REVEALS.

EXTERNAL VIEW - SCALE 1:10



SECTION -
SCALE 1:10



PLAN - SCALE 1:10

