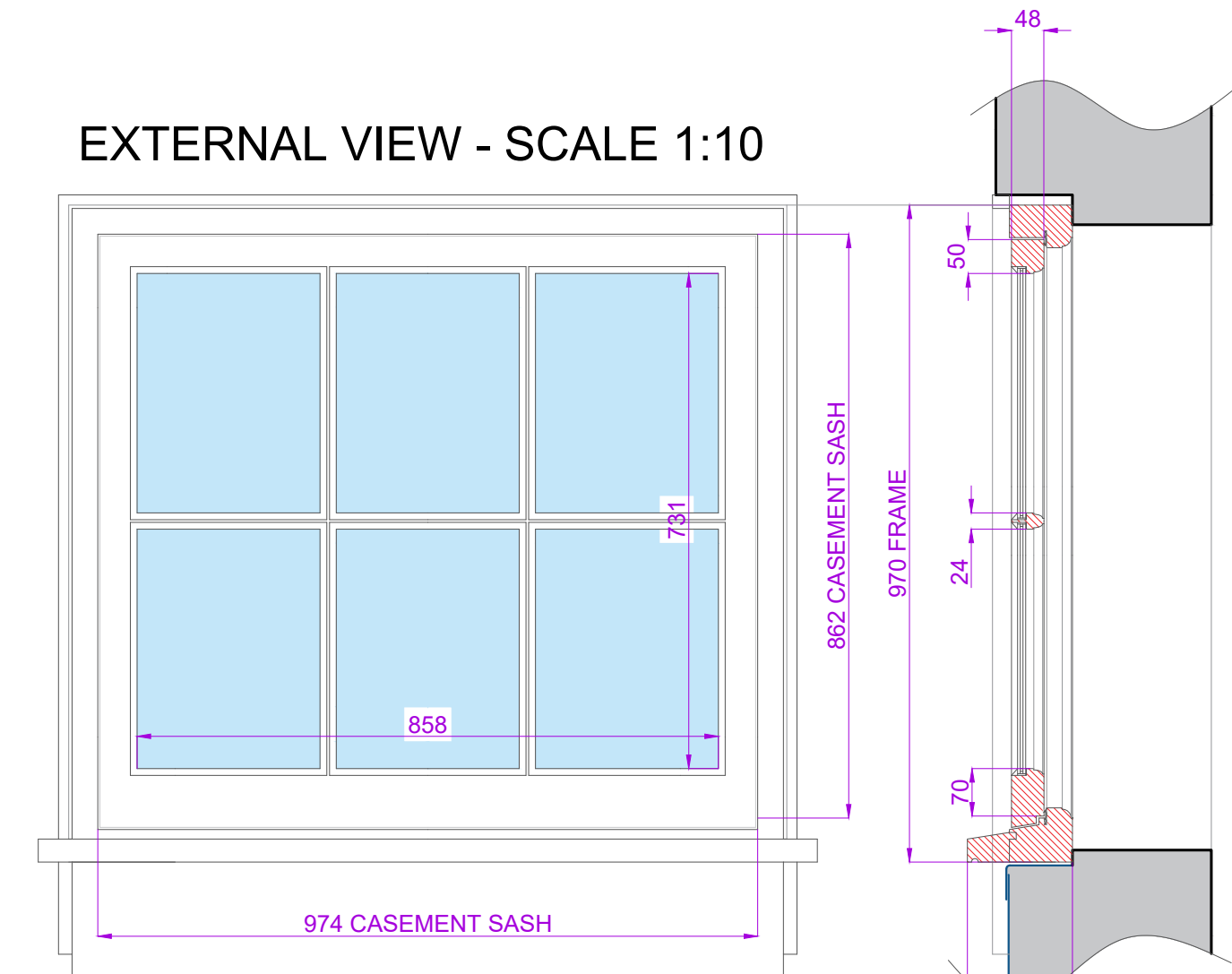


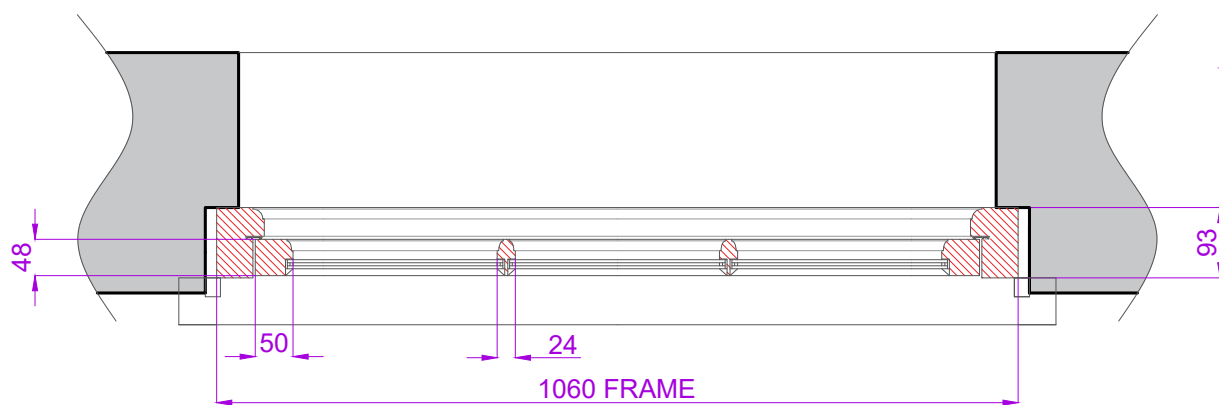
PROPOSED WINDOW DETAIL ITEM W15 - SCALE 1:10

COMPLETE NEW TIMBER CASEMENT WINDOW, CASEMENT LEAVES AND FRAME. CASEMENT WINDOW OPENING OUT (FIXED) FLUSH WITH 6 PANES. EXTENDED CILL WITH CILL HORNS. 48mm THICK LEAVES. DOUBLE GLAZED WITH 4mm SLIMLINE (HERITAGE) SPACER - 12mm UNIT, WITH 24mm WIDE GLAZING BARS AND GLAZED WITH DRYSEAL. OVOLO PROFILE MOULDINGS INTERNALLY. PAINTED WHITE. INTEGRAL DRAUGHT SEALING TO STOPS ON FRAME USING QLON DRAUGHT SEALS.

EXTERNAL VIEW - SCALE 1:10



SECTION -
SCALE 1:10



PLAN - SCALE 1:10

1m

500mm