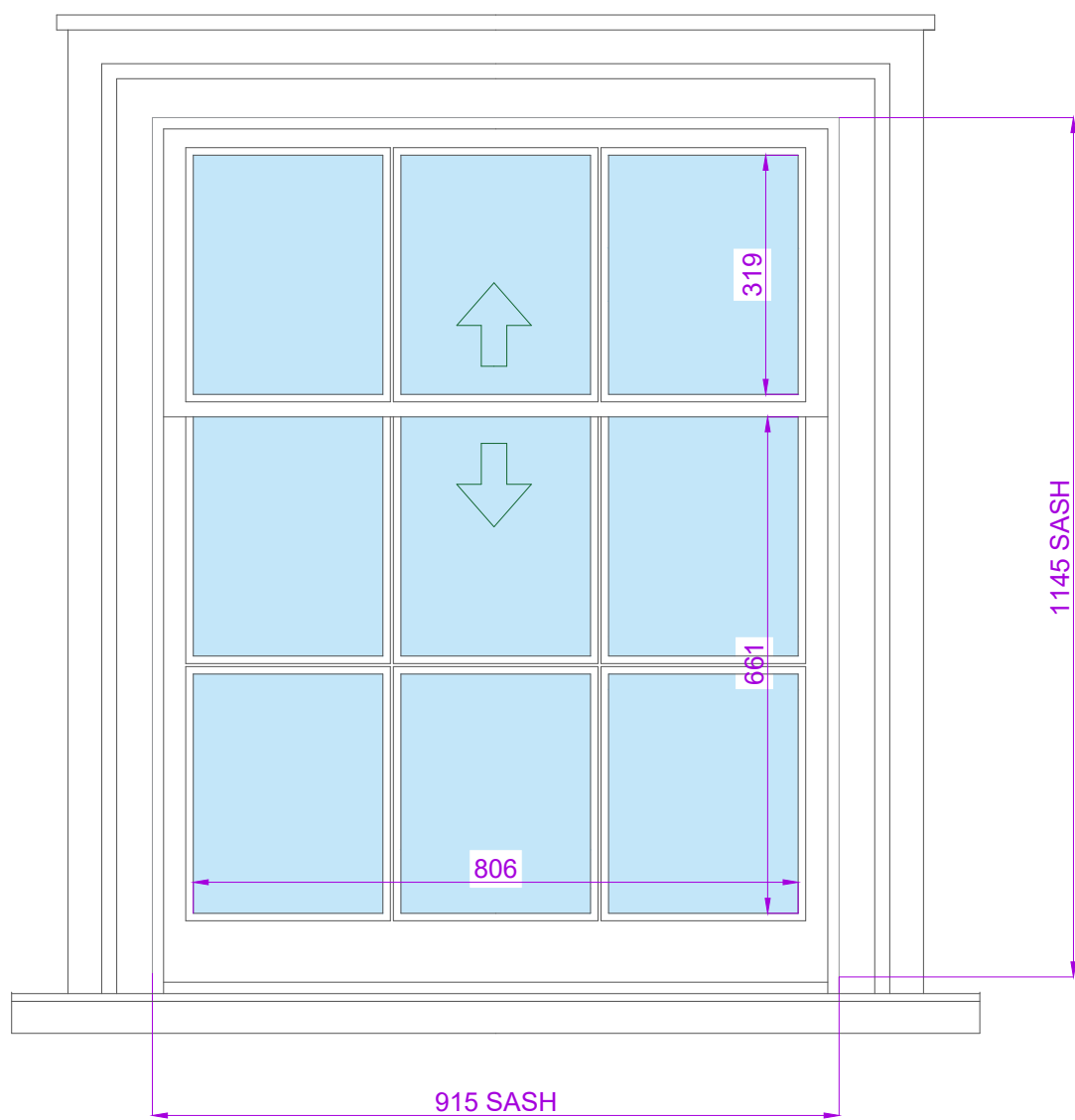


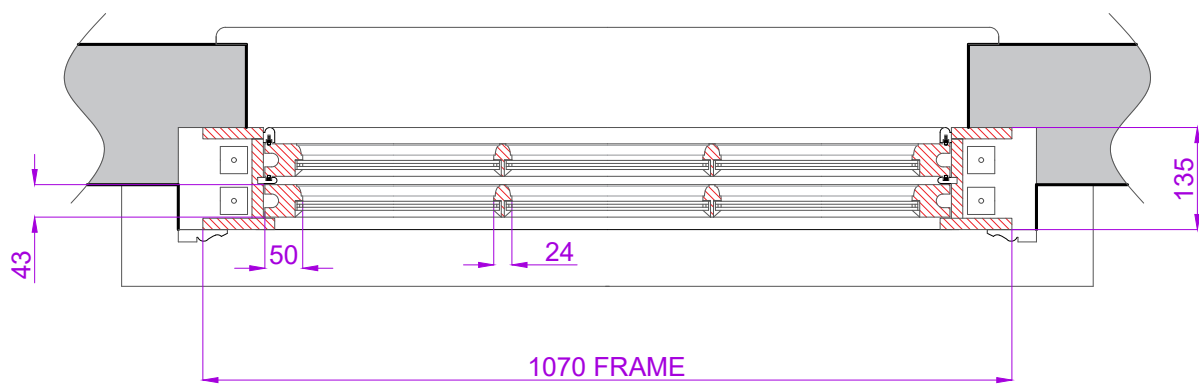
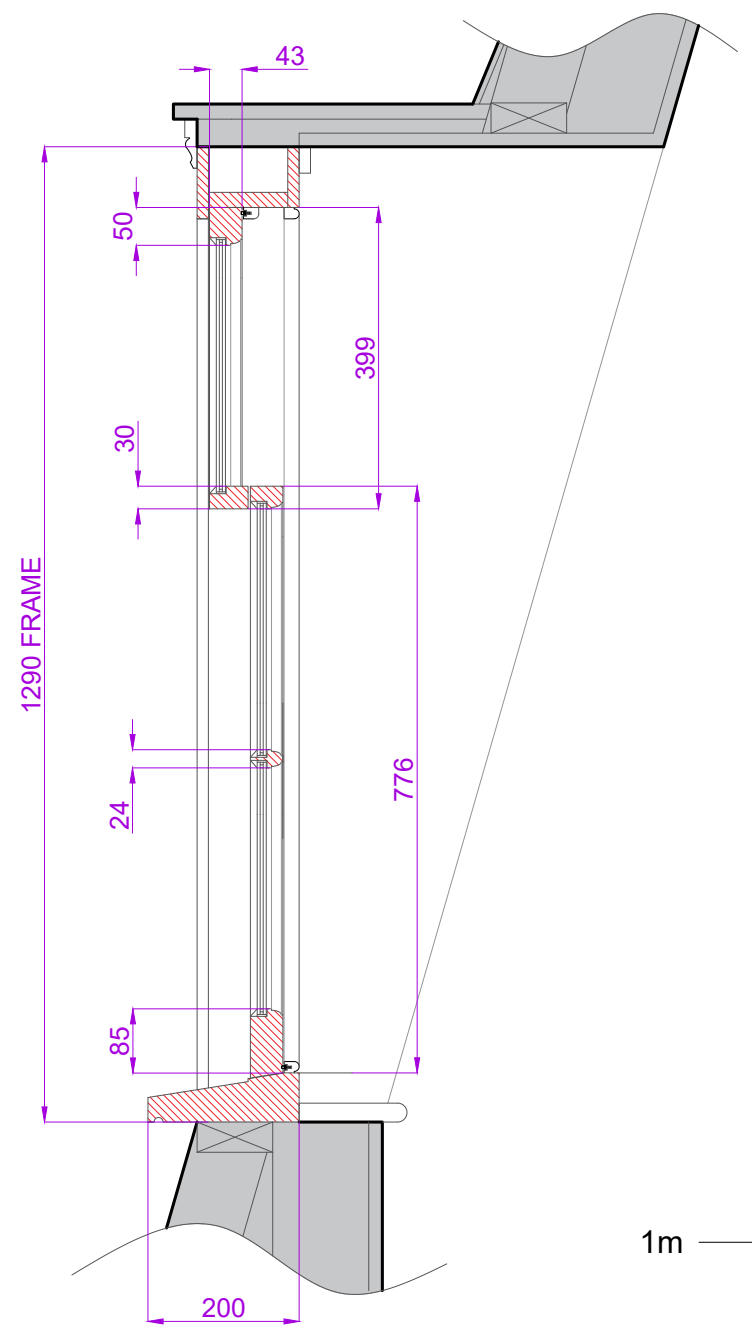
PROPOSED WINDOW DETAIL ITEMS W01 & W02 - SCALE 1:10

COMPLETE NEW TIMBER BOX SASH FRAME AND SASHES -
DORMER WINDOWS, 3 OVER 6 CORD HUNG SASHES.
EXTENDED CILL WITH CILL HORNS. EXTERNAL LINERS TO
SIDES AND HEAD WITH LEAD COVERING TO DORMER
CHEEKS. 43mm THICK LEAVES. DOUBLE GLAZED WITH 4mm
SLIMLINE (HERITAGE) SPACER - 12mm UNIT, WITH 24mm
WIDE GLAZING BARS AND GLAZED WITH DRYSEAL. OVOLO
MOULDINGS INTERNALLY. PAINTED WHITE SASHES AND
BLUE EXTERNAL FRAME. DRAUGHT SEALED WITH NEW
STAFF BEAD, PARTING BEAD AND HEAD BEAD USING QLON
DRAUGHT SEAL.

EXTERNAL VIEW - SCALE 1:10



SECTION - SCALE 1:10



PLAN - SCALE 1:10

RED HATCHING INDICATES NEW JOINERY

METRIC SCALE 1:10 ON A3