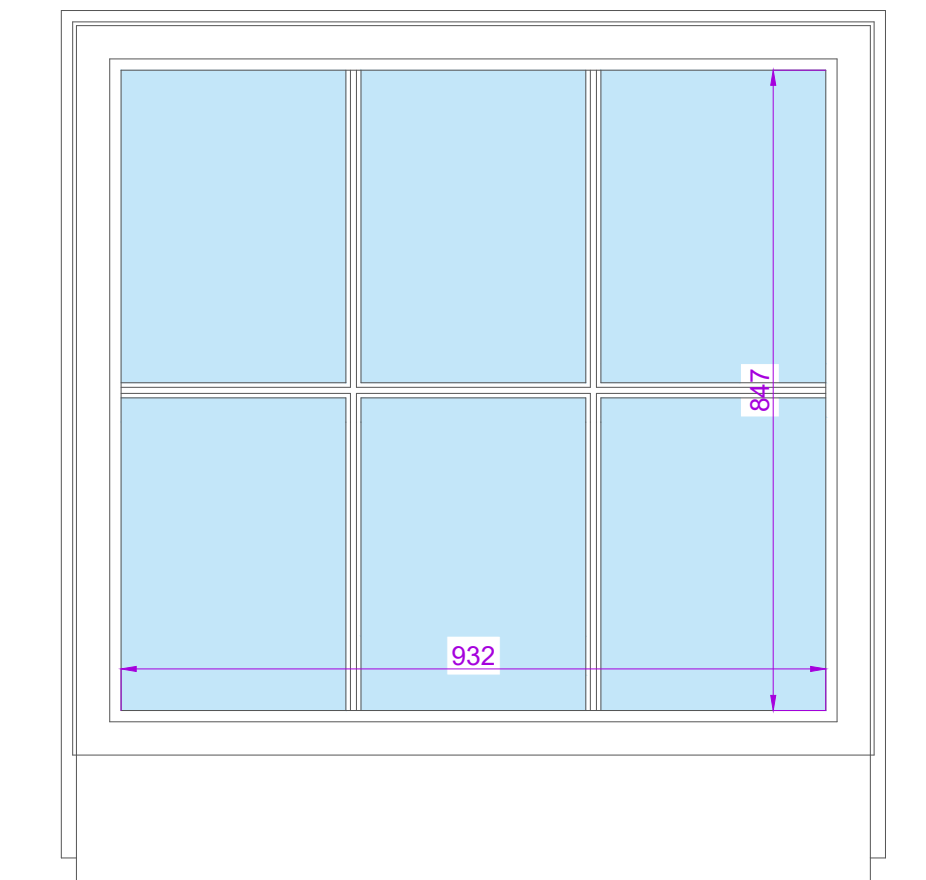


# EXISTING WINDOW DETAIL ITEM W15 - SCALE 1:10

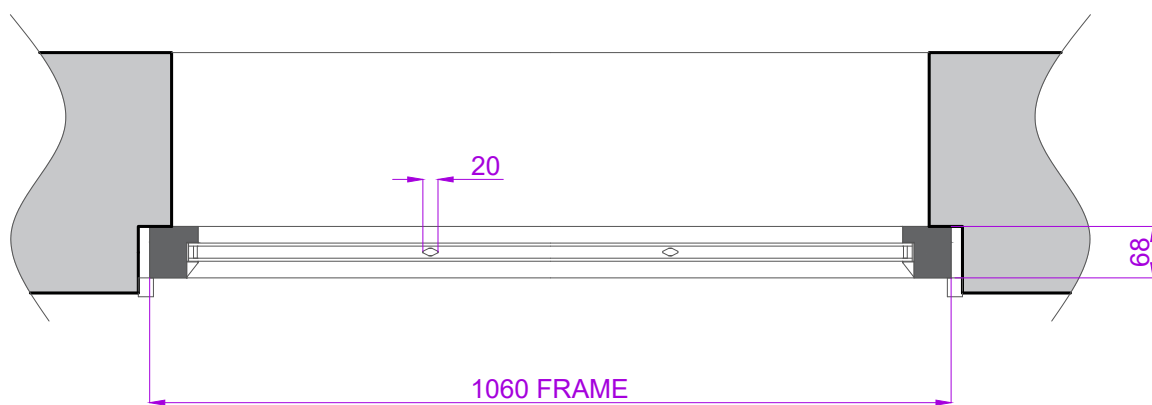
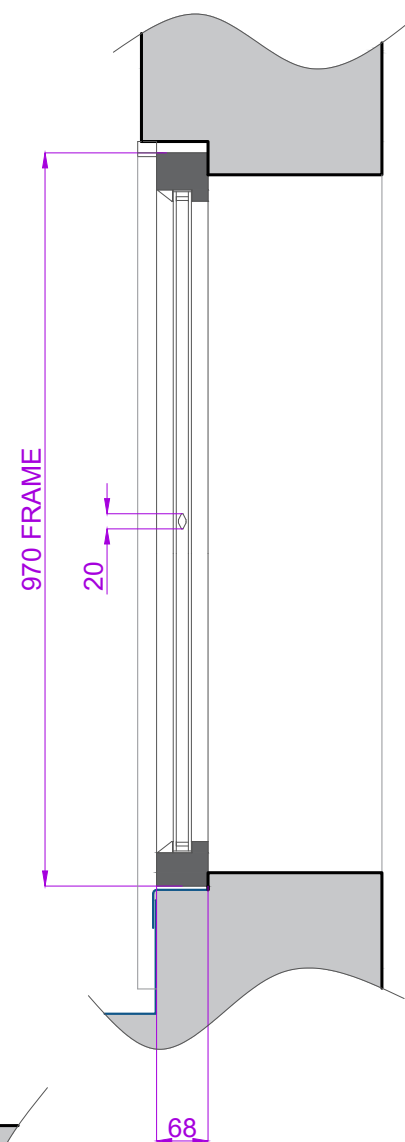
CASEMENT WINDOW (FIXED) UPVC WITH 6 PANES. 68mm THICK LEAVES. DOUBLE GLAZED WITH 20mm WIDE GLAZING BARS INTERNALLY FITTED TO UNIT. WHITE.

CURRENT WINDOW NON TRADITIONAL IN DESIGN, COMPLETE NEW CASEMENT WINDOW FITTED.

EXTERNAL VIEW - SCALE 1:10



SECTION - SCALE 1:10



PLAN - SCALE 1:10

