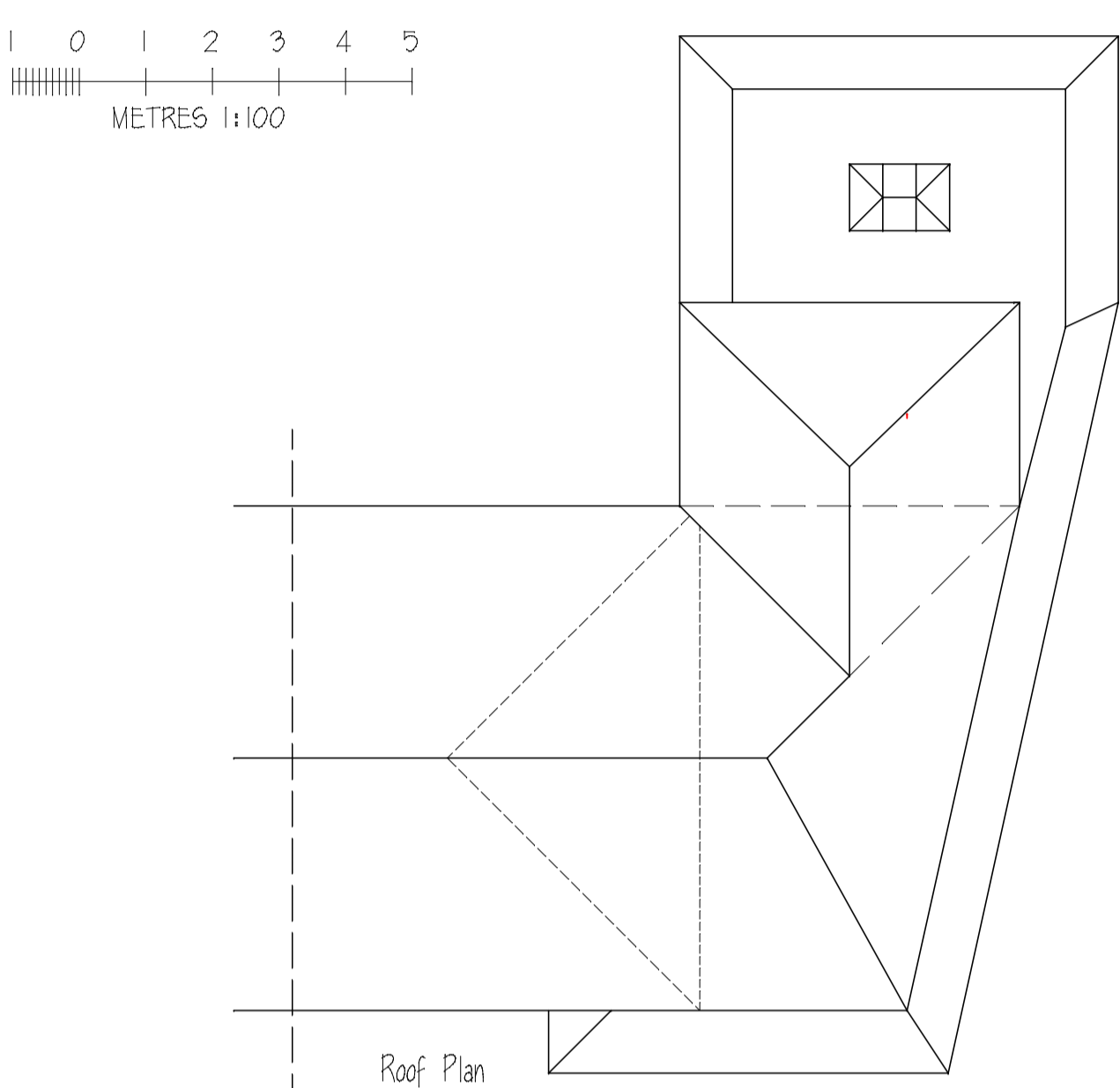


Front Elevation (South West)

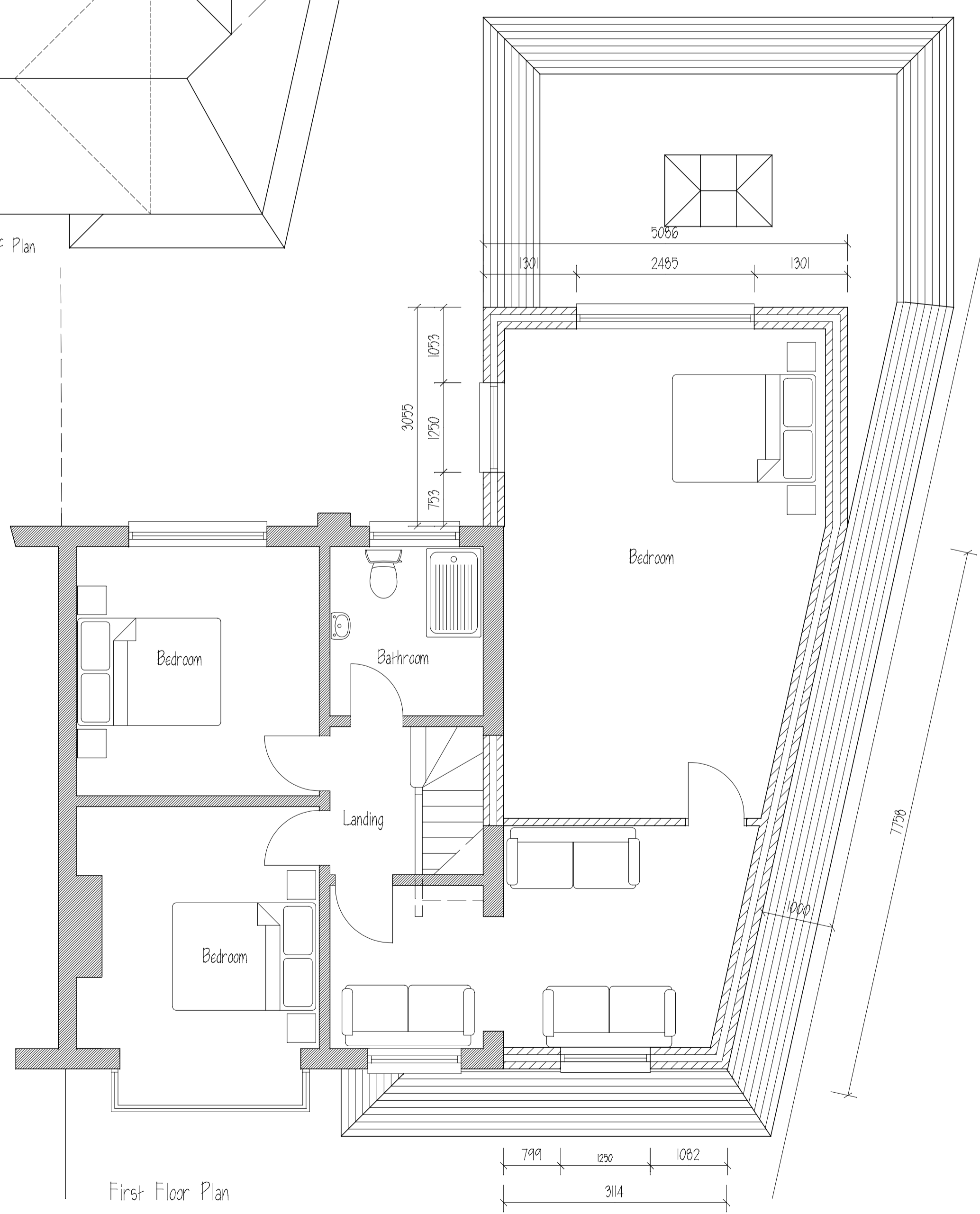
Side Elevation (South East)

Rear Elevation (North East)

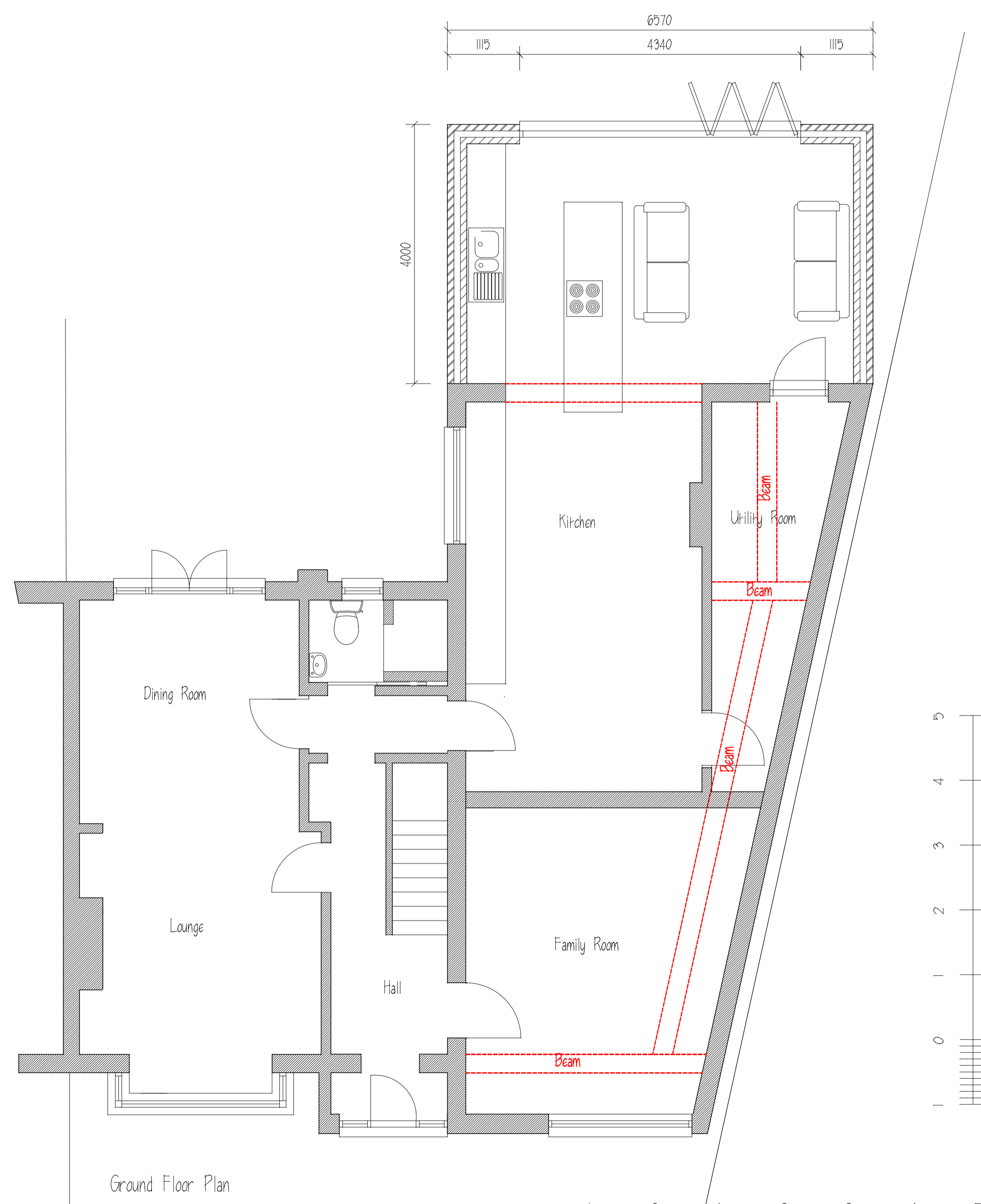
Side Elevation (North West)



Roof Plan



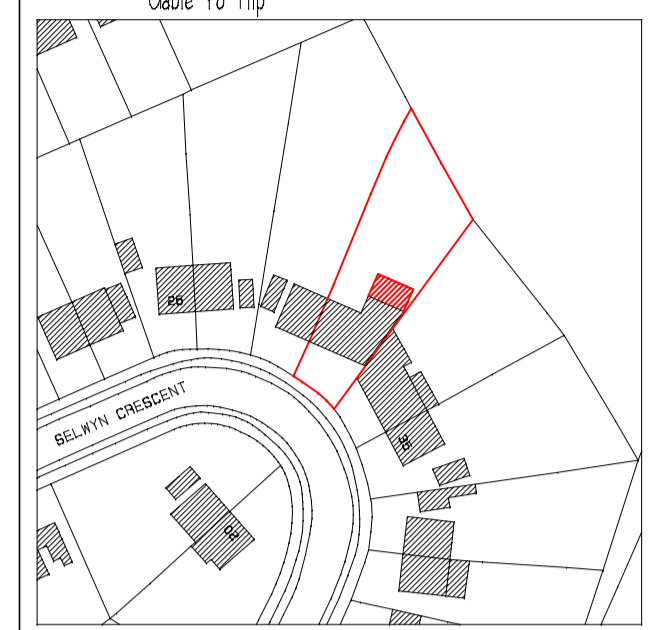
First Floor Plan



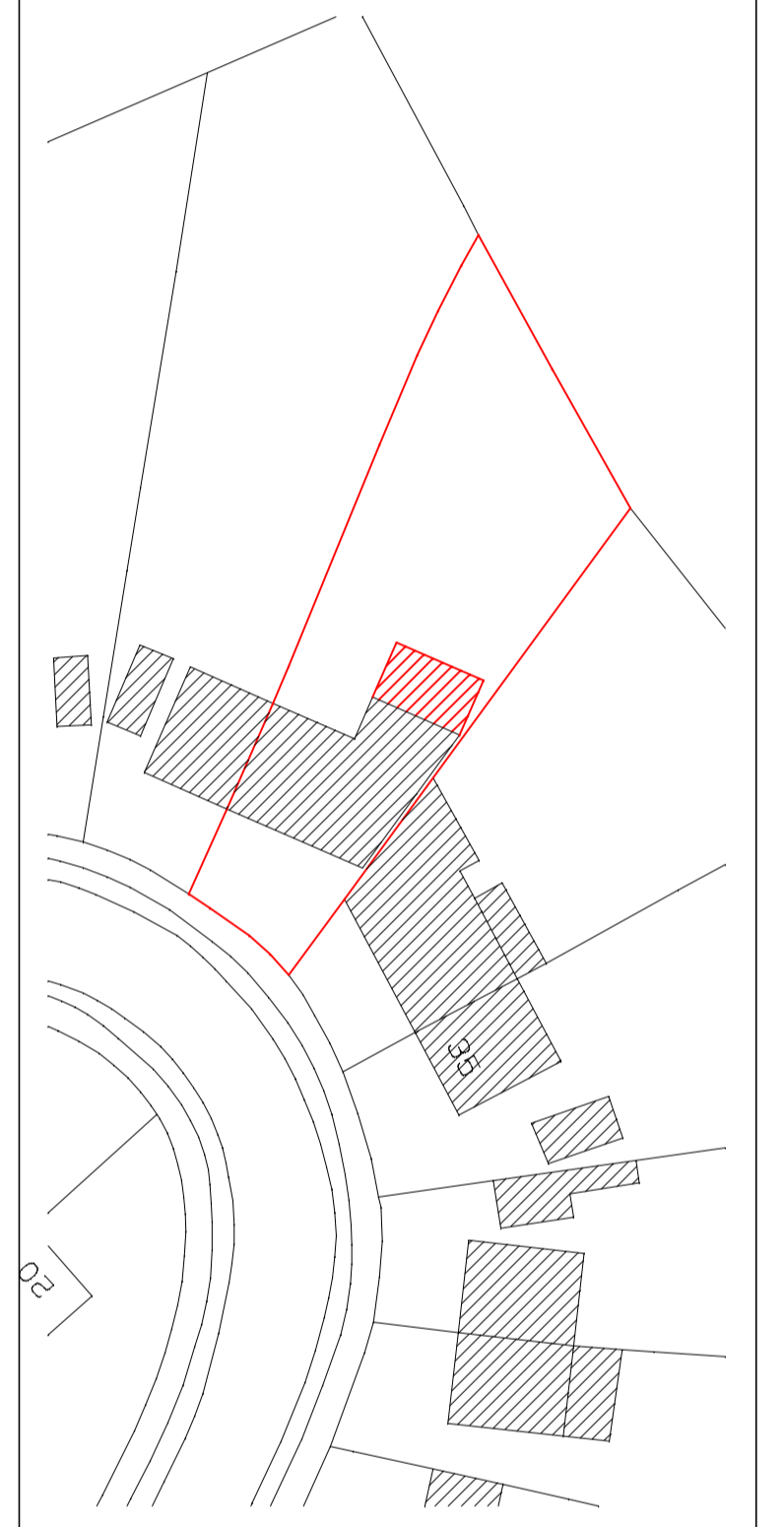
Ground Floor Plan

ALL DIMENSIONS & INFORMATION FOUND ON THESE DRAWINGS ARE TO BE CHECKED BY THE CONTRACTOR PRIOR TO COMMENCEMENT OF ANY WORKS ON SITE. ANY DISCREPANCIES FOUND ARE TO BE DISCUSSED WITH 'ARIA DESIGN'. IF IN DOUBT - 'ASK'. THIS DRAWING IS FOR PLANNING PURPOSES ONLY.

REVISIONS: Rev "A" 13.04.18 Main roof changed from Gable to Hip



NOTES: Location Plan 1:250 Ordnance Survey Licence No 1930454



Site Plan 1:500 Ordnance Survey Licence No 1930454

PROJECT:-
31 Selwyn Crescent
Hatfield
Herts.

TITLE:-
Plans and Elevations
as Proposed

SCALE:- 1:50, 1:100 (A1) JOB/DRG. No:-
DATE:- Jan 2018 1267:02A

Aria Design
ARCHITECTURAL DESIGNS AND SURVEYS
90 Chertsey Rise
Stevenage
Hertfordshire SG2 9JL
Tel (01438) 231641 Mob 07780 928317