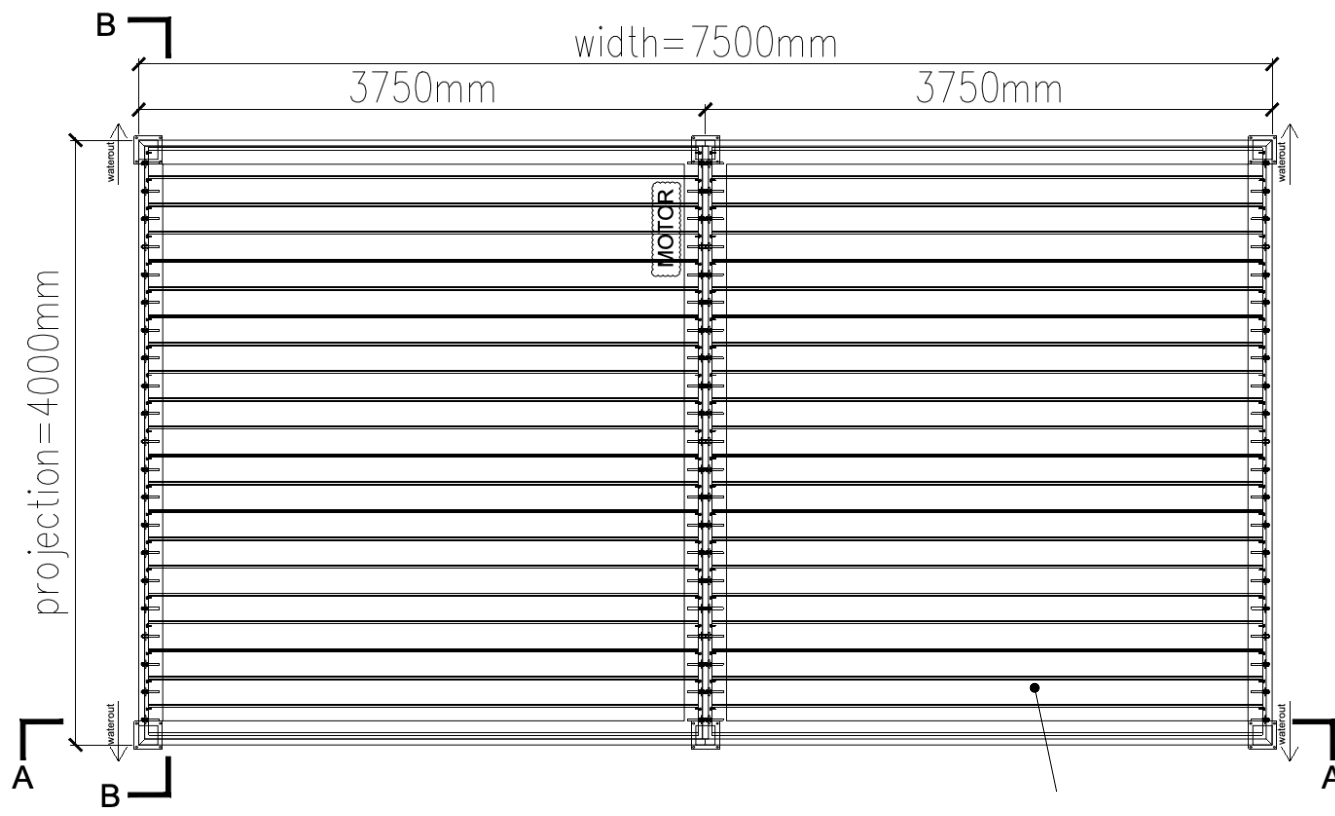
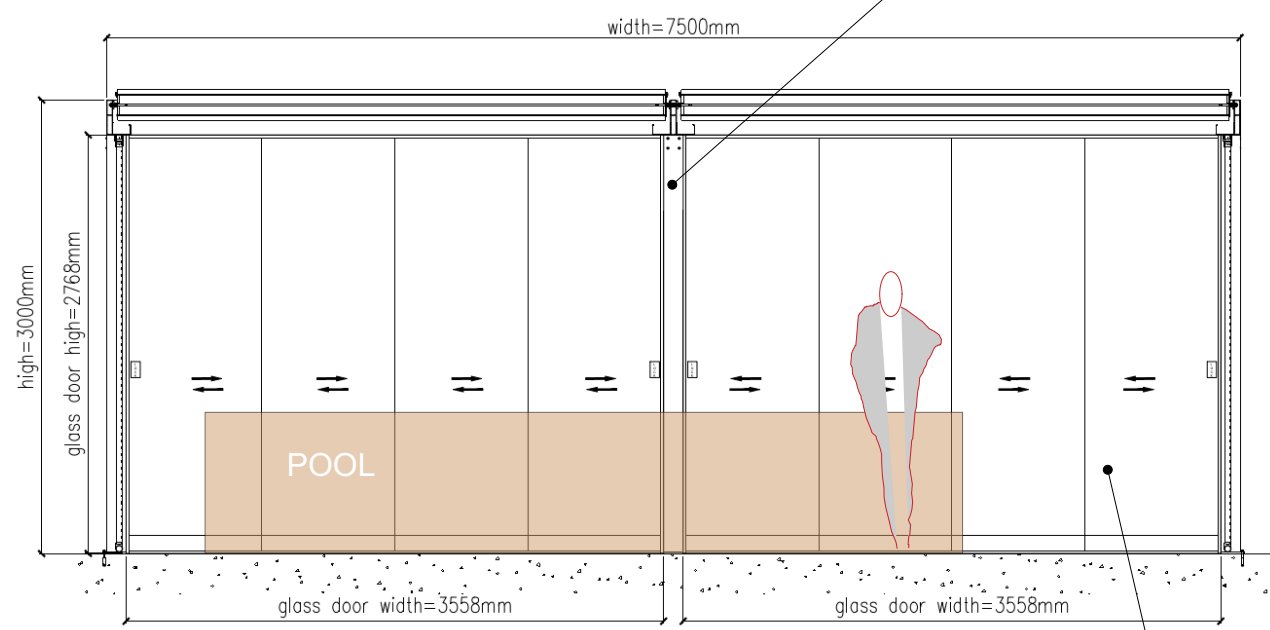
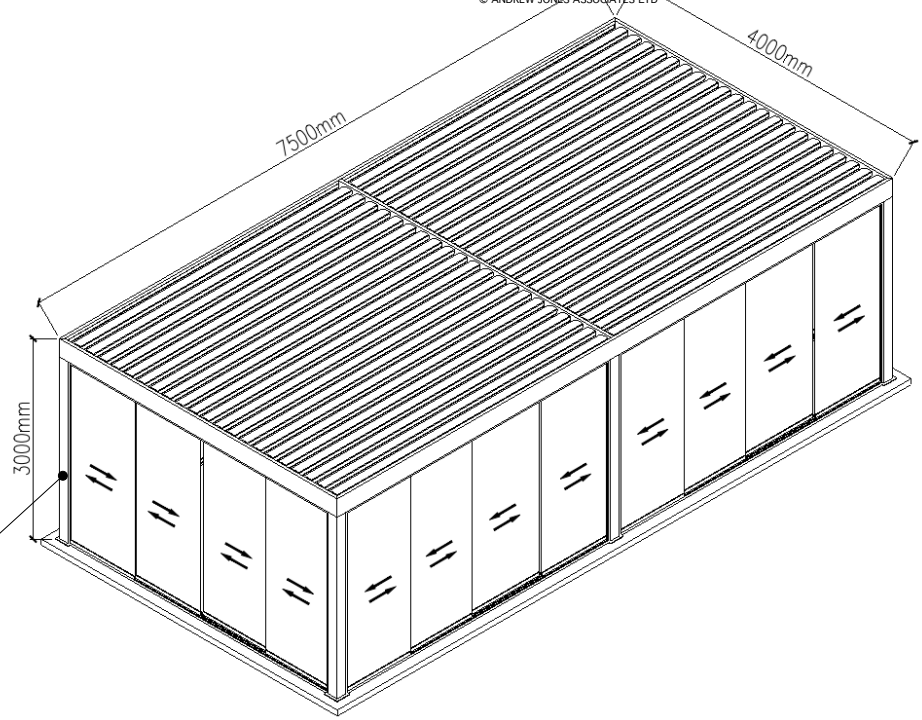


ALL AREAS QUOTED ARE APPROXIMATE AND SHOULD BE USED FOR GUIDANCE ONLY.
 ALL SETTING OUT LEVELS AND DIMENSIONS TO BE CHECKED ON SITE
 THIS DRAWING MUST NOT BE USED FOR LAND TRANSFER PURPOSES
 DO NOT SCALE FROM THIS DRAWING UNLESS "PLANNING" STATUS.
 © ANDREW JONES ASSOCIATES LTD



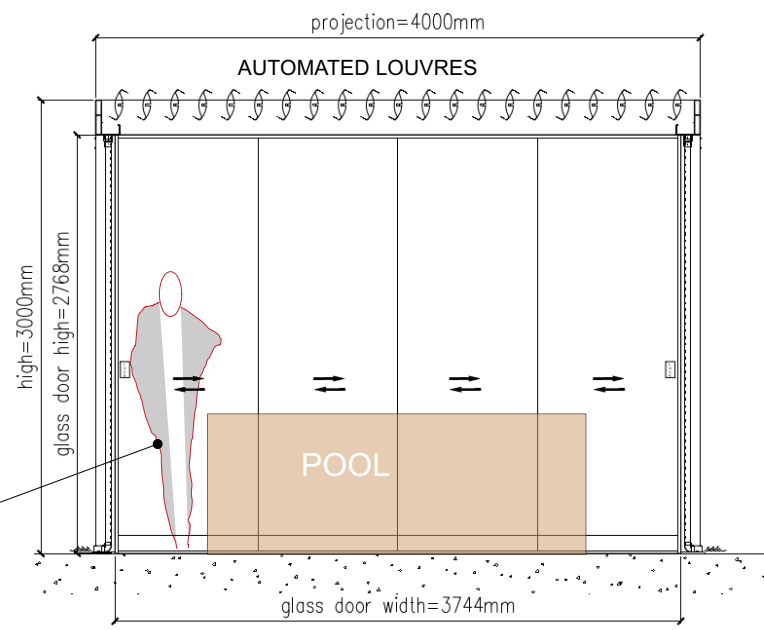
Plan View
1:1

POLYSTER POWDER COATED ALUMINIUM CLADDING & LOUVRES (RAL COLOUR)

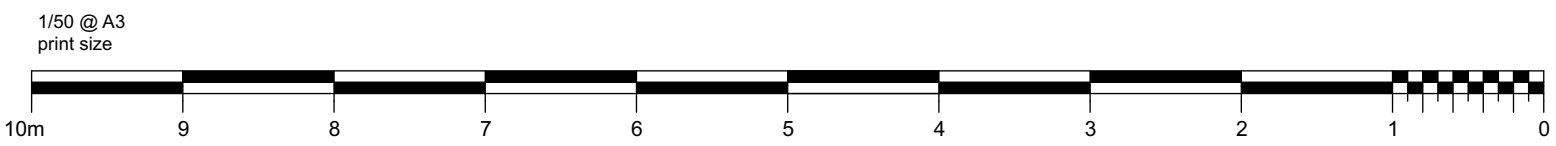
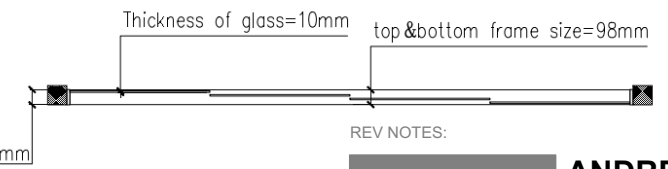
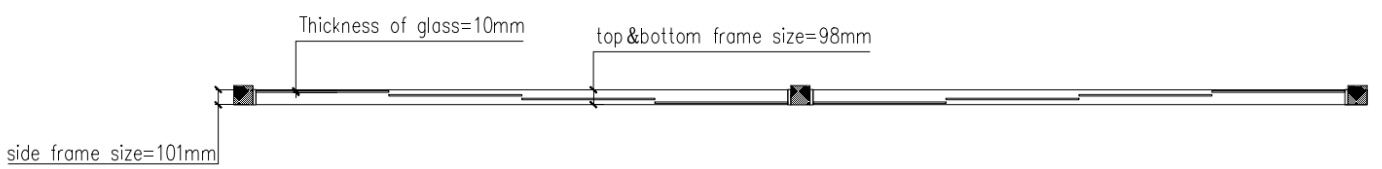


A-A
1:1

SLIDING GLASS SCREEN/DOORS



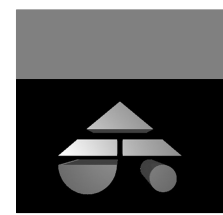
B-B
1:1



PROJECT TITLE: 75 PINE GROVE, HATFIELD, AL97BL
 DRWG TITLE: **PROPOSED OUTBUILDING**
Plan, Elevations & Section
 SCALE: 1/50 @ A3 print size DATE: MAY 2022
 DRWG STATUS: **LAWFUL DEVELOPMENT**

DRWG N°: **1171/LD/002**

REV NOTES:



ANDREW JONES ASSOCIATES
 CHARTERED ARCHITECTS
 PYRAMID STUDIO : 12 BARROW HEDGES WAY
 CARSHALTON, SUTTON, SURREY SM5 3LL
 TEL: 020-8643 0601 FAX: 020-8770 1753 MOBILE: 07850-257 855
 E-MAIL: architects@andrewjonesassociates.com
www.andrewjonesassociates.com